

EXCELON® Series 74
Filter/Regulator
3/8", 1/2", 3/4" Port Sizes

- **EXCELON design allows in-line or modular installation**
- **High efficiency water and particle removal**
- **Quick release bayonet bowl**
- **Particle removal per ISO 8573-1, Class 5 and Class 3**
- **Push to lock adjusting knob with tamper resistant accessory**
- **Patented quarter turn manual drain**


Technical Data

Fluid: compressed air

Maximum Pressure:

Transparent bowl: 10 bar

Metal bowl: 17 bar

Operating Temperature*:

Transparent bowl: -20° to 50°C

Metal bowl: -20° to 80°C

*Air supply must be dry enough to avoid ice formation at temperatures below 2°C.

Manual drain connection: 7/16" X 24 TPI (1/4" male OD tube)

Automatic drain connection: 1/8 BSP

Typical flow with 10 bar inlet pressure, 6,3 set pressure and a droop of 1 bar from set:

100 dm³/s

Automatic drain minimum operating conditions:

Pressure: 0,7 bar

Flow: 0,25 dm³/s

Gauge Ports:

1/4" PTF with PTF main ports

1/4" ISO Rc with ISO Rc main ports

1/8" ISO Rc with ISO G main ports

Materials:

Body: Aluminium

Bonnet: Aluminium

Valve: Brass

Bowl:

Plastic: Polycarbonate with zinc bowl guard

Metal: Aluminium

Metal bowl liquid level indicator lens:

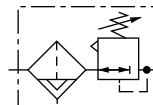
Transparent nylon (Pyrex optional)

Element: Sintered plastic

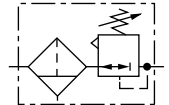
Elastomers: Neoprene and Nitrile

Ordering Information

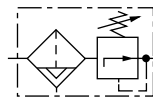
See *Ordering Information* on following pages.

ISO Symbols


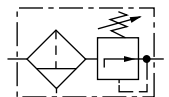
Automatic Drain, Relieving



Manual Drain, Relieving



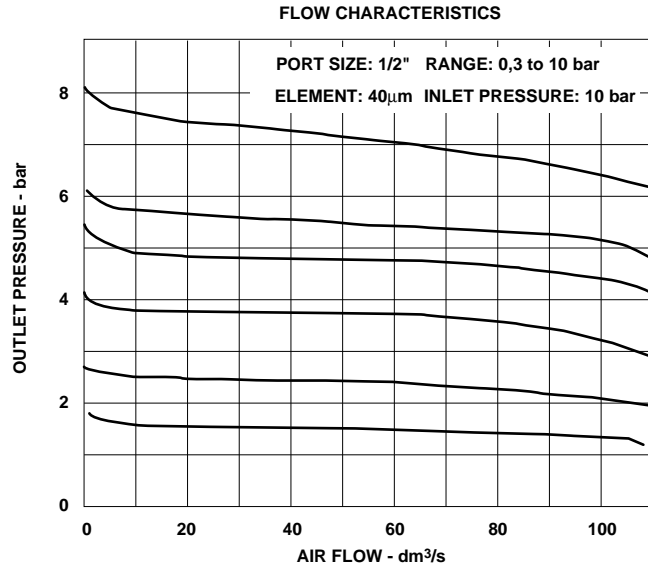
Automatic Drain, Non-Relieving



Manual Drain, Non-Relieving



Typical Performance Characteristics



Ordering Information. Models listed include ISO G parallel threads, knob adjustment, transparent bowl with guard, 40µm element, relieving diaphragm and 0,3 to 10 bar outlet pressure adjustment range*.

Main Port Size	Model Number	Flow† dm³/s	Weight kg
G3/8	B74G-3GK-AP3-RMN	77	1,19
G1/2	B74G-4GK-AP3-RMN	100	1,17
G3/4	B74G-6GK-AP3-RMN	100	1,16

† Typical flow with 10 bar inlet pressure, 6,3 bar set pressure and a 1 bar drop from set.

Alternative Models

B 7 4 G - ★ ★ ★ - ★ ★ ★ - ★ ★ ★					
Threads	Substitute		Gauge	Substitute	
PTF	A		With (Ø 50 mm)	G	
ISO Rc taper	B		Without	N	
ISO G parallel	G		Outlet Pressure Adjustment Range*	Substitute	
Adjustment	Substitute		0,3 to 4 bar	F	
Knob	K		0,3 to 10 bar	M	
T-bar	T		0,7 to 17 bar**	S	
Drain	Substitute		Diaphragm	Substitute	
Automatic	A		Relieving	R	
Manual, 1/4 turn	Q		Non relieving	N	
Bowl	Substitute	Element	Substitute		
Metal with liquid level indicator	D	5 µm	1		
Transparent with guard	P	40 µm	3		

* Outlet pressure can be adjusted to pressures in excess of, and less than, those specified. Do not use these units to control pressures outside of the specified ranges.

** Units with 17 bar outlet pressure range are available only with the T-bar adjustment; therefore substitute **T** at the 7th digit and **S** at the 12th position.

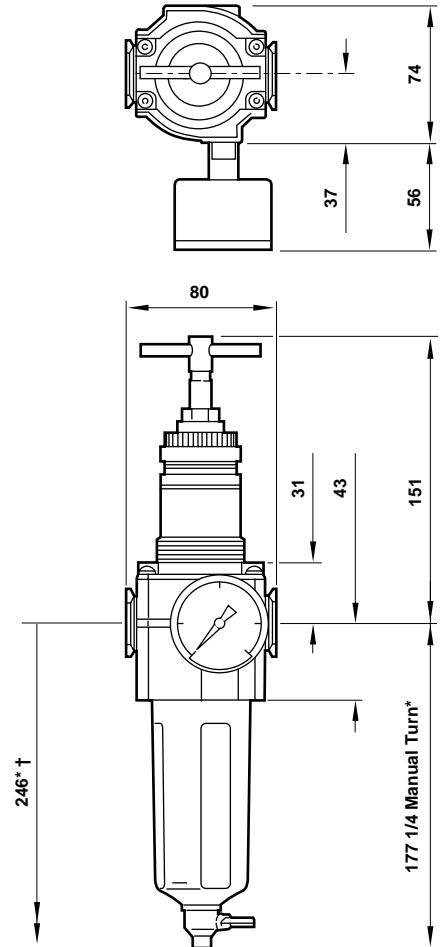
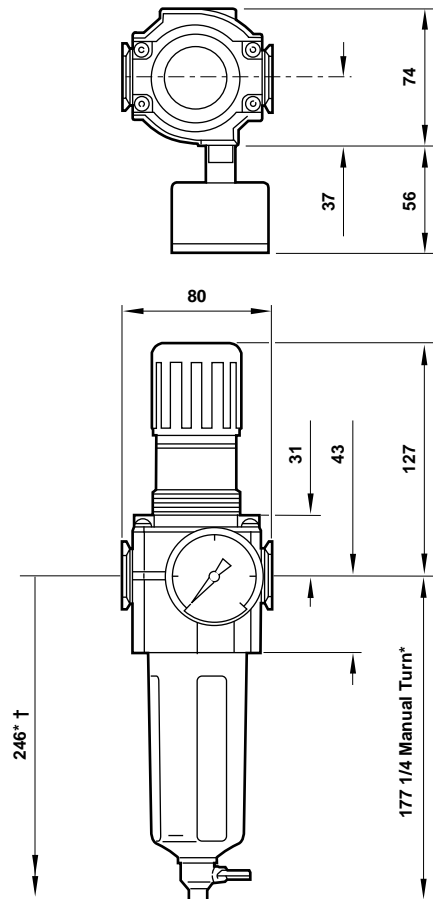
Accessories

<p>Wall Mounting Bracket</p>	<p>Ø 50 mm Gauge R1/8 Connection</p>	<p>Metal Panel Nut</p>	<p>Tamper Resistant Cover & Seal Wire††</p>
4324-50	4 bar: 18-013-011 10 bar: 18-013-013 25 bar: 18-013-014	4389-89	4355-51 Seal Wire: 2117-01

†† Use padlock with shackle up to 8 mm (0.3") in diameter.



Panel mounting hole diameter:
52 mm
Panel thickness:
2 to 6 mm

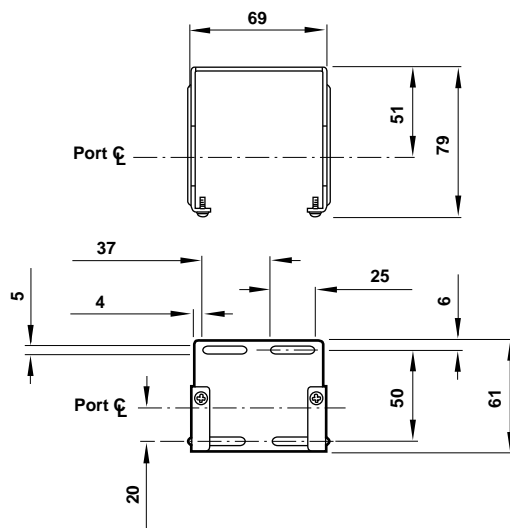


* Reduce by 16 mm for automatic drain.

† Minimum clearance to remove bowl.

Bracket Mounting

Use 5 mm screws to mount bracket to wall.



Bracket Kit Reference

Model	Part No.
All Models	4324-50

Service Kits

Item	Type	Part Number
Service kit	Relieving	4383-700
	Non-relieving	4383-701
Replacement elements	5 µm	4338-04
	40 µm	4338-05
Liquid level lens kit	Prismatic	4380-050
Replacement drains	Automatic (G1/8 outlet)	3000-97
	Manual 1/4 turn	619-50

Service kit includes diaphragm assembly, valve assembly, valve spring, louvre o-ring, bowl o-ring, drain seal.



Warning

These products are intended for use in industrial compressed air systems only. Do not use these products where *pressures* and *temperatures* can exceed those listed under '**Technical Data**'.

Before using these products with fluids other than those specified, for non-industrial applications, life-support systems, or other applications not within published specifications, consult NORGREN.

Through misuse, age, or malfunction, components used in fluid power systems can fail in various modes. The system designer is warned to consider the failure modes of all component parts used in fluid power systems and to provide adequate safeguards to prevent personal injury or damage to equipment in the event of such failure.

System designers must provide a warning to end users in the system instructional manual if protection against a failure mode cannot be adequately provided.

System designers and end users are cautioned to review specific warnings found in instruction sheets packed and shipped with these products.