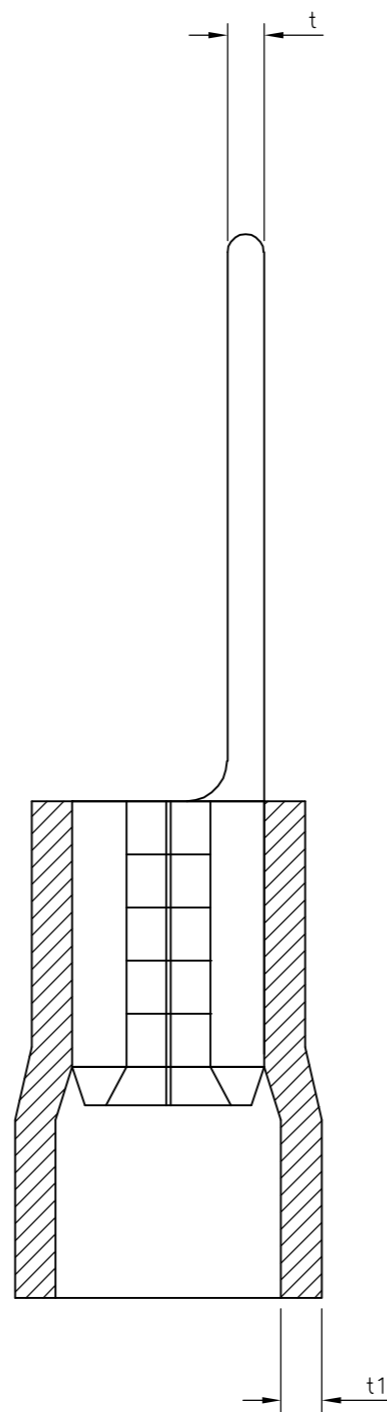
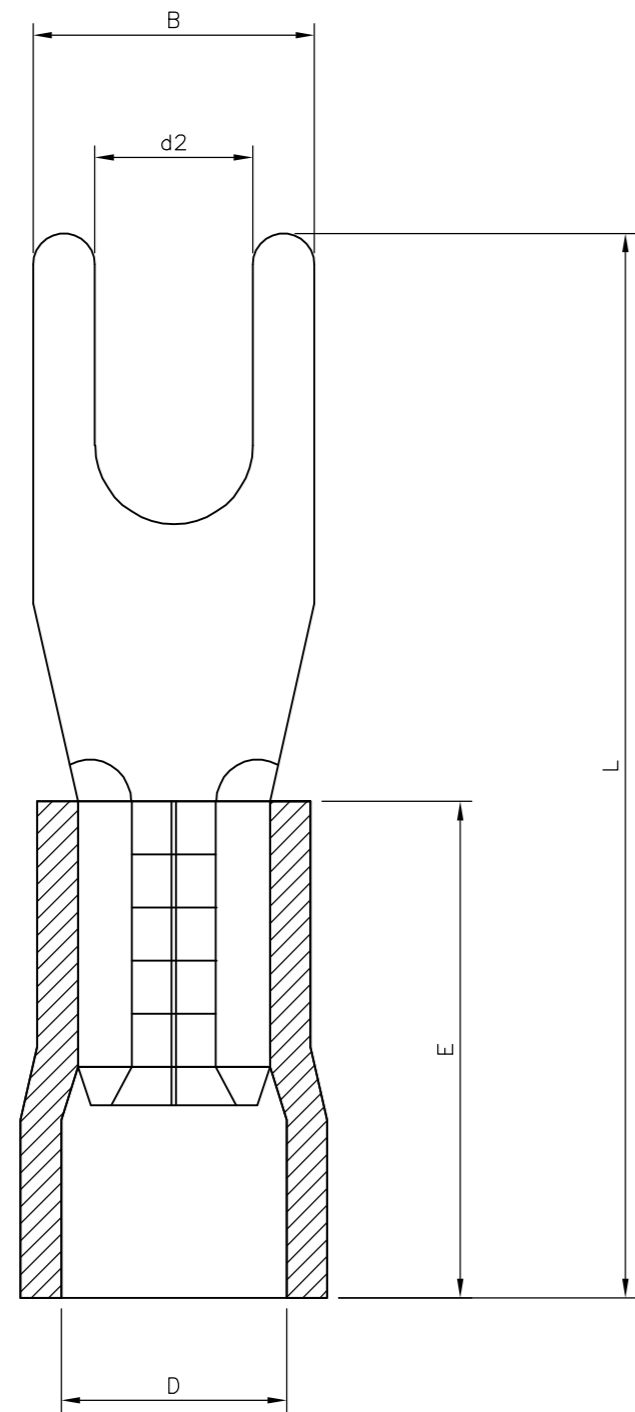


THIS DRAWING IS UNPUBLISHED. RELEASED FOR PUBLICATION 19AUG, 2005.
 © COPYRIGHT 2005 BY TYCO ELECTRONICS CORPORATION. ALL RIGHTS RESERVED.

| LOC | | DIST | | REVISIONS | | | |
|-----|-----|-------------|-------------|-----------|------|-----|--|
| P | LTR | DESCRIPTION | DATE | DWN | APVD | | |
| E | B | A | FIRST ISSUE | 19AUG05 | KR | FWK | |



- NOTES:
- FOR TECHNICAL DATA REFER TO YOUR LOCAL TYCO ELECTRONICS SALES OFFICE.
 - ALL DIMENSIONS ARE NOMINAL FOR REFERENCE ONLY UNLESS OTHERWISE STATED.
 - FOR PACKAGING DETAILS SEE SHEET 2.
 - UL NUMBER E13288
 - MATERIAL: BODY - COPPER
SLEEVE - PVC (K65), 94V-0
 - APPLICATION SPEC 114-13196

| 2-1838175-0 1-1838175-0 | 1.5mmsq - 2.5mmsq 16-14(AWG) | 4mm STUD SIZE STANDARD ENTRY | BLUE FORK TERMINAL (INSULATED) | 3000 3500 | 1000 100 | 4.30 | 6.40 | 22.50 | 4.70 | 11.00 | 0.80 | 0.80 | 1.5mmsq - 2.5mmsq 16-14(AWG) | 4.0 | BLUE FORK TERMINAL (INSULATED) | 2-1838175-0 1-1838175-0 |
|----------------------------|----------------------------------|----------------------------------|----------------------------------|------------------|-------------|------------|-----------|-----------|-----------|-----------|-----------|------------|---------------------------------|-----------|--------------------------------|----------------------------|
| STOCK NUMBER | PACKING LABEL DESCRIPTION LINE 3 | PACKING LABEL DESCRIPTION LINE 2 | PACKING LABEL DESCRIPTION LINE 1 | INNER CARTON QTY | QTY | d2 (±0.20) | B (±0.30) | L (±1.50) | D (±0.50) | E (±1.50) | t (±0.10) | t1 (±0.20) | WIRE SIZE (mmsq) & (AWG) | SIZE (mm) | DESCRIPTION | PART No |

THIS DRAWING IS A CONTROLLED DOCUMENT.

| | | |
|------------------|-----------------|----------|
| DWN | K.Raghunandan | 19AUG05 |
| CHK | S. Parlow | 03/04/07 |
| APVD | F. Wheeler-King | 03/04/07 |
| PRODUCT SPEC | - | |
| APPLICATION SPEC | - | |
| WEIGHT | - | |
| CUSTOMER DRAWING | - | |

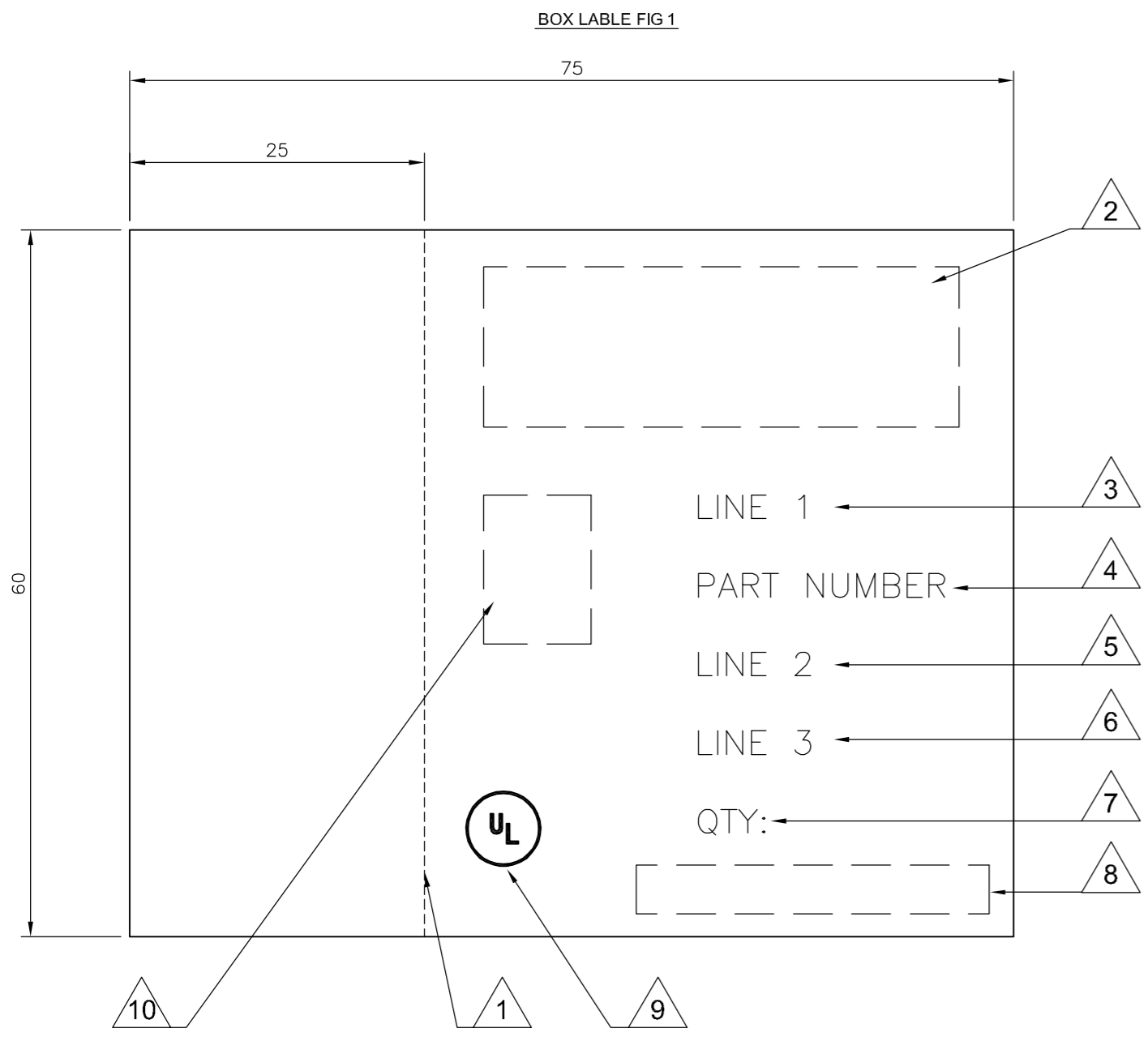
tyco Electronics Tyco Electronics Corporation
Bideford, UK, EX39 4HE

NAME: EURO-CRIMP INSULATED BLUE FORK TERMINAL
1.5mmsq - 2.5mmsq / 16-14 AWG RANGE

| | | | | | | | |
|-------|-----|-----------|-------|------------|-----------|---------------|---|
| SIZE | A2 | CAGE CODE | 00779 | DRAWING NO | C=1838175 | RESTRICTED TO | - |
| SCALE | NTS | SHEET | 1 | OF | 2 | REV | A |

THIS DRAWING IS UNPUBLISHED. RELEASED FOR PUBLICATION 19AUG ,2005.
 © COPYRIGHT 2005 BY TYCO ELECTRONICS CORPORATION. ALL RIGHTS RESERVED.

| LOC | | DIST | | REVISIONS | | | |
|-----|-----|-------------|------|-----------|------|--|--|
| P | LTR | DESCRIPTION | DATE | DWN | APVD | | |
| - | - | SEE SHEET 1 | - | - | - | | |



- LABEL NOTES:**
- 1. PERFORATED LINE: DOTTED LINE TO BE ALIGNED WITH OPENING EDGE & FOLDED TO LEFT SIDE OF BOX.
 - 2. LOGO: USE LATEST REVISION OF TYCO COMPANY LOGO.
 - 3. LINE 1: SEE SHEET 1, USE TEXT FROM COLUMN PACKAGING LABEL DESCRIPTION LINE 1.
 - 4. PART NUMBER: FOR 1--0 & 2--0 USE TYCO PART NUMBER.
1--0 = 1-1838175-0
2--0 = 2-1838175-0
 - 5. LINE 2: SEE SHEET 1, USE TEXT FROM COLUMN PACKAGING LABEL DESCRIPTION LINE 2.
 - 6. LINE 3: SEE SHEET 1, USE TEXT FROM COLUMN PACKAGING LABEL DESCRIPTION LINE 3.
 - 7. QTY: SEE SHEET 1, USE NUMBER FROM THE COLUMN QTY.
 - 8. EAN BARCODE: USE LATEST TYCO BARCODE SUPPLIED.
1--0 = TYCO BARCODE
2--0 = TYCO BARCODE
 - 9. UL: WHERE APPLICABLE USE UL LOGO, SEE SHEET 1.
 - 10. PRODUCT PICTURE: A PRODUCT PICTURE IS REQUIRED.

- BOX NOTES:**
- 1. EURO SLOT: TO BE POSITIONED TO CENTRE ON FRONT COVER.
 - 2. BOX HINGE: FRONT COVER TO BE HINGED ON RIGHT SIDE.
 - 3. SPECIFICATION: COVER TO BE FREE FROM POSSIBLE WARPING & CAPABLE OF BEING RE-SEALED MIN 100 TIMES.
 - 4. LABEL: CORRECT CUSTOMER BOX LABEL TO BE POSITIONED ON THE FRONT COVER WITH THE PERFORATED EDGE ON THE LEFT HAND SIDE.

- PACK SPECIFICATION:**
- 1. CLEAR PLASTIC BOX: PART NUMBER 1--0 TO BE PACKED 100 PARTS PER CLEAR PLASTIC BOX (FIG2) WITH THE CORRECT CUSTOMER LABEL (FIG1), 35 CLEAR PLASTIC BOXES OF THE SAME PART NUMBER ARE TO BE PACKED INTO A SUITABLE INNER CARTON BOX.
 - 2. CLEAR PLASTIC BAG: PART NUMBER 2--0, USE A SUITABLE CLEAR PLASTIC BAG FOR A 1000 PARTS, POSITION AN APPROPRIATE LABEL AS IN FIG1 BUT WITHOUT THE PERFORATED SIDE, CENTRE OF BAG. 3 BAGS ARE THEN TO BE PACKED INTO A SUITABLE INNER CARTON BOX.
 - 3. INNER CARTON LABEL: LABEL AS PER CLEAR PLASTIC BAG NOTE 2 BUT WITH INNER CARTON QTY 3000 TO BE POSITIONED ON THE SIDE OF THE BOX FOR VIEWING WHEN STORED.

| | | | | | | | | | | | | | | | | |
|--|---------|-------------------------------------|--|--------------------|-------|-------|-------|-------|---------|-------|-----|--------|-----|-------------------|------------|--------------------|
| THIS DRAWING IS A CONTROLLED DOCUMENT. | | DWN K.Raghuandan 19AUG05 | Tyco Electronics Corporation Bideford, UK, EX39 4HE | | | | | | | | | | | | | |
| DIMENSIONS: mm | | CHK S. Parlow 03/04/07 | | | | | | | | | | | | | | |
| TOLERANCES UNLESS OTHERWISE SPECIFIED: | | APVD F. Wheeler-King 03/04/07 | NAME EURO-CRIMP INSULATED BLUE FORK TERMINAL 1.5mmsq - 2.5mmsq / 16-14 AWG RANGE | | | | | | | | | | | | | |
| <table border="1"> <tr><td>0 PLC</td><td>± 0.5</td></tr> <tr><td>1 PLC</td><td>± 0.2</td></tr> <tr><td>2 PLC</td><td>± 0.1</td></tr> <tr><td>3 PLC</td><td>± 0.015</td></tr> <tr><td>4 PLC</td><td>± -</td></tr> <tr><td>ANGLES</td><td>± -</td></tr> </table> | | 0 PLC | ± 0.5 | 1 PLC | ± 0.2 | 2 PLC | ± 0.1 | 3 PLC | ± 0.015 | 4 PLC | ± - | ANGLES | ± - | PRODUCT SPEC - | SIZE A2 | CAGE CODE 00779 |
| 0 PLC | ± 0.5 | | | | | | | | | | | | | | | |
| 1 PLC | ± 0.2 | | | | | | | | | | | | | | | |
| 2 PLC | ± 0.1 | | | | | | | | | | | | | | | |
| 3 PLC | ± 0.015 | | | | | | | | | | | | | | | |
| 4 PLC | ± - | | | | | | | | | | | | | | | |
| ANGLES | ± - | | | | | | | | | | | | | | | |
| MATERIAL - | | FINISH - | DRAWING NO C=1838175 | RESTRICTED TO - | | | | | | | | | | | | |
| CUSTOMER DRAWING | | | SCALE NTS | SHEET 2 OF 2 | | | | | | | | | | | | |

1838175