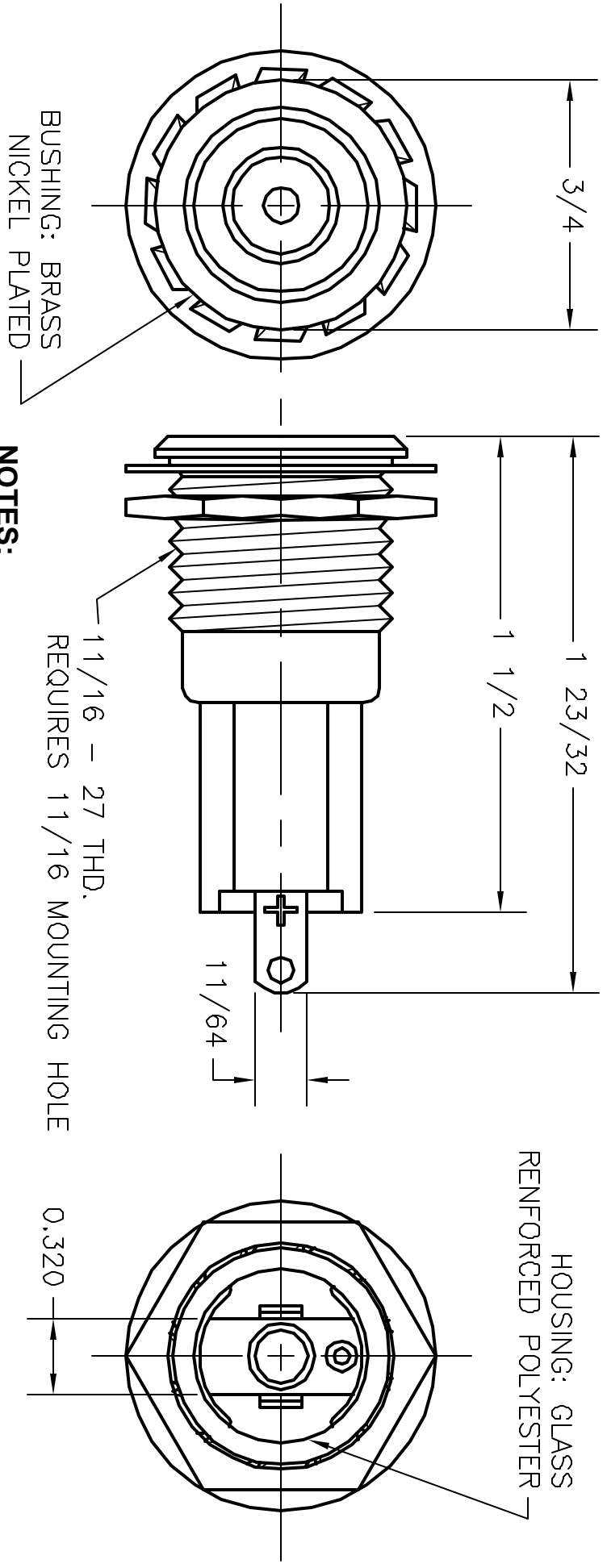


ALL RIGHTS RESERVED. NO PORTION OF THIS PUBLICATION, WHETHER IN WHOLE OR IN PART CAN BE REPRODUCED WITHOUT THE EXPRESS WRITTEN CONSENT OF SPC TECHNOLOGY.

REVISIONS		DOC. NO.	SPC-FD05	Effective	12/21/98	Doc No.	980	
DCP #	REV	DESCRIPTION	DRAWN	DATE	CHECKD	DATE	APPRVD	DATE
168	A	RELEASED	HYO	2/17/00	JC	3/3/00	DJC	4/29/00



- NOTES:**
1. NUT: STEEL, CADMIUM PLATED
  2. WASHER: STEEL, ZINC & CLEAR PLATED.
  3. SOLD WITH NUT AND LOCK WASHER ASSEMBLED
  4. DESIGNED FOR T-3 1/4 13/32" (10 MM) DIAMETER BAYONET BASE BULB.

**DISCLAIMER**  
 ALL STATEMENTS AND TECHNICAL INFORMATION CONTAINED HEREIN ARE BASED UPON INFORMATION AND/OR TESTS WE BELIEVE TO BE ACCURATE AND RELIABLE. SINCE CONDITIONS OF USE ARE BEYOND OUR CONTROL, THE USER SHALL DETERMINE THE SUITABILITY OF THE PRODUCT FOR THE INTENDED USE AND ASSUME ALL RISK AND LIABILITY WHATSOEVER IN CONNECTION THEREWITH.

**SPC TECHNOLOGY**

Tolerances Unless Otherwise Specified		DRAWING TITLE:	
Fractional ± 1/64	Decimal	INDICATOR LIGHT FOR LOW VOLTAGE INCANDESCENT LAMP	
.XXX ± 0.005		SIZE	DWG. NO.
		A	2242
		SCALE:	U.O.M.: INCHES
		NTS	
			ELECTRONIC FILE
			92N4184.DWG
			REV
			A
			SHEET: 1 OF 1