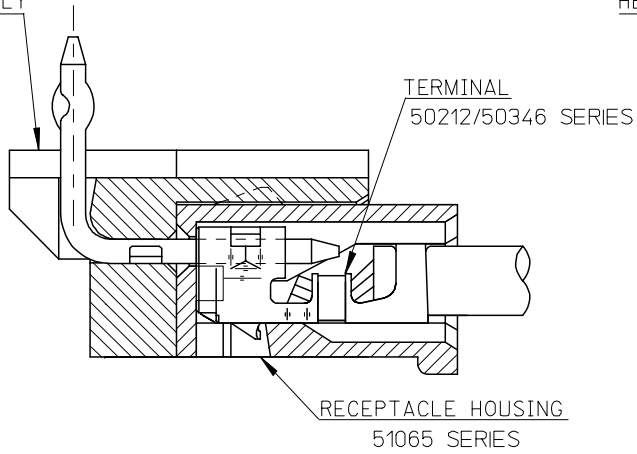


10 9 8 7 6 5 4 3 2 1

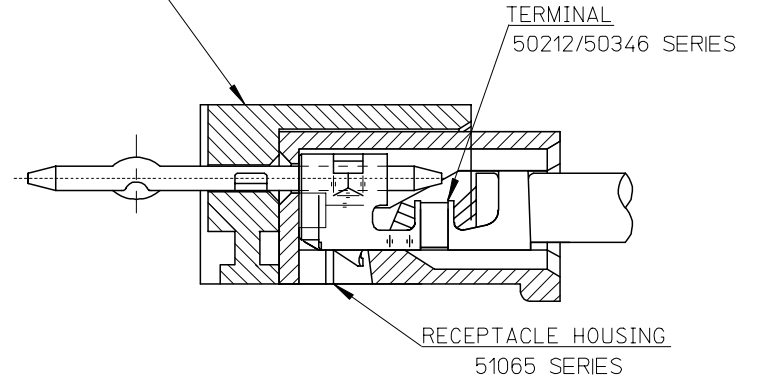
F

HEADER HOUSING ASSEMBLY
53254SERIES



51065シリーズ/53254シリーズ 嵌合状態図 参考
51065 SERIES/53254 SERIES MATED DRAWING (REF.)

HEADER HOUSING ASSEMBLY
53253SERIES



51065シリーズ/53253シリーズ 嵌合状態図 参考
51065 SERIES/53253 SERIES MATED DRAWING (REF.)

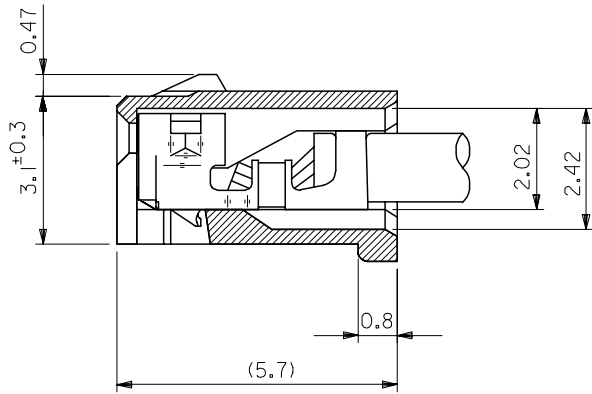
E

D

C

B

A



ターミナル装着状態図
TERMINAL ASS'Y DWG.

RELEASED EC NO: J2008-2041 DRWN: AOYAGI 2007/11/21 CHKD: THARUYAMA 2007/11/22 APPR: NUKITA 2007/11/22	GENERAL TOLERANCES (UNLESS SPECIFIED)		DIMENSION STYLE MM ONLY	SCALE 10:1	DESIGN UNITS METRIC	THIRD ANGLE PROJECTION
	10 UNDER	±0.2	DRAWN BY Y. AOYAGI	DATE 2007/11/13	TITLE NEW 2.0 W/B CONN. 51065/53253OR51065/53254	
	10 OVER 30 UNDER	±0.25	CHECKED BY N. UKITA	DATE 2007/11/13	MOLEX INCORPORATED DOCUMENT NO. SD-51065-006 SHEET NO. 1 OF 1	
	30 OVER	±0.3	APPROVED BY N. UKITA	DATE 2007/11/13		
	ANGULAR	±1 °	MATERIAL NO.		SEE TABLE	
DRAFT WHERE APPLICABLE MUST REMAIN WITHIN DIMENSIONS		SIZE A3	THIS DRAWING CONTAINS INFORMATION THAT IS PROPRIETARY TO MOLEX INCORPORATED AND SHOULD NOT BE USED WITHOUT WRITTEN PERMISSION			

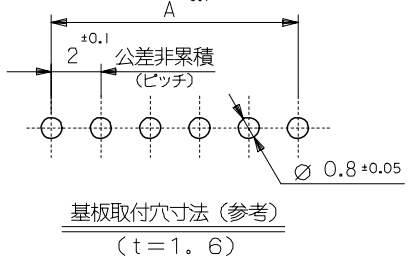
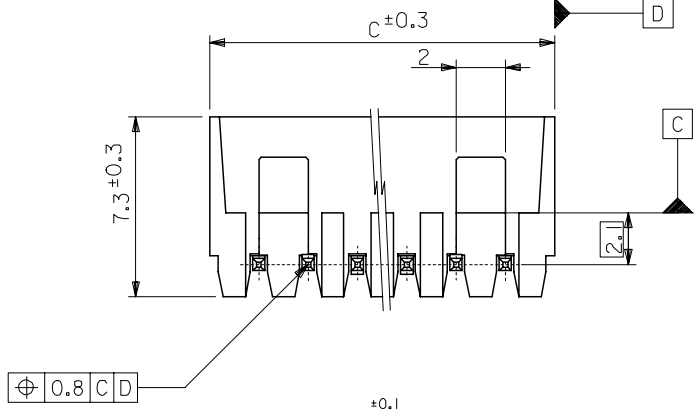
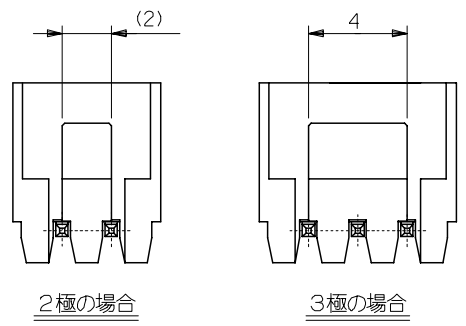
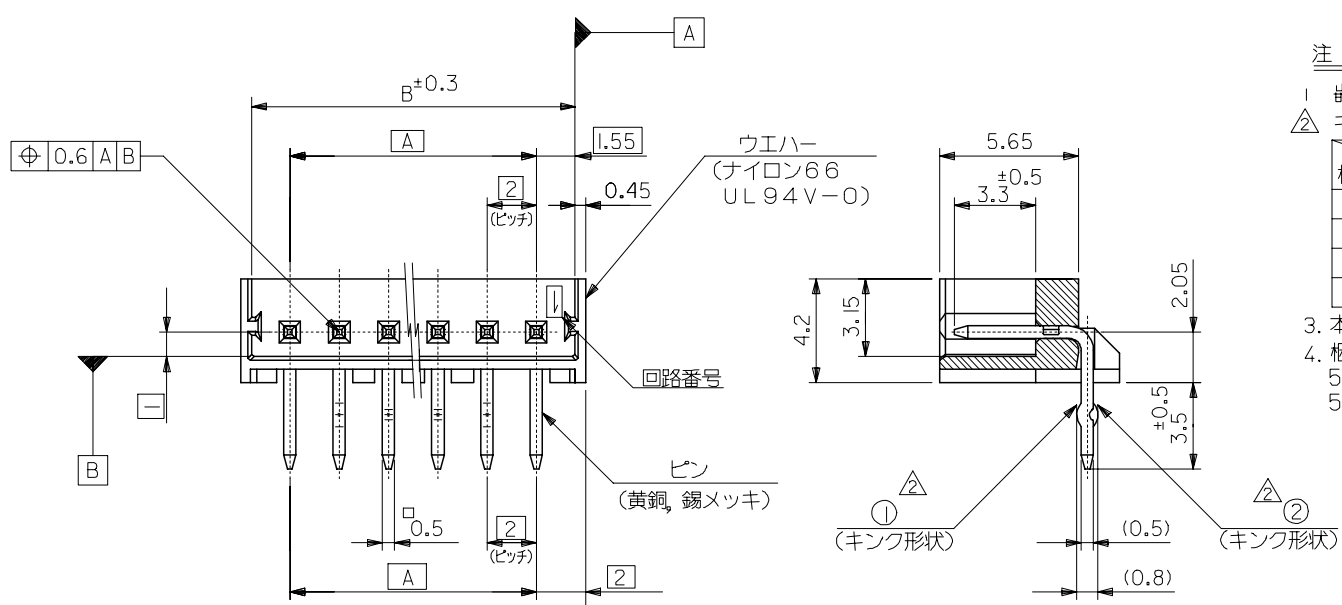
注 記

- 1 嵌合相手: 51065-**00
- △ キングは下記表の位置及び形状に付加のこと。2極はキング無し。

回路番号	1	2	3	4	5	N-2	N-1	N
極数								
6極以上	—	①	②	—	—	②	①	—
5極	①	②	—	②	①			
4極	①	②	②	①				
3極	①	②	①					

- 3. 本製品は、53254-**10の鉛フリー品です。
- 4. 梱包仕様 PACKAGING
53254-**70 トレー TRAY
53254-**50 ホリ袋 POLYBAG

32	31.1	28	53254-1550	53254-1570	15
30	29.1	26	-1450	-1470	14
28	27.1	24	-1350	-1370	13
26	25.1	22	-1250	-1270	12
24	23.1	20	-1150	-1170	11
22	21.1	18	-1050	-1070	10
20	19.1	16	-0950	-0970	9
18	17.1	14	-0850	-0870	8
16	15.1	12	-0750	-0770	7
14	13.1	10	-0650	-0670	6
12	11.1	8	-0550	-0570	5
10	9.1	6	-0450	-0470	4
8	7.1	4	-0350	-0370	3
6	5.1	2	53254-0250	53254-0270	2
C	B	A	MATERIAL NO.	MATERIAL NO.	極数
			MODEL NO.	53254-**70/**50	



REVISED EC NO: J2005-2396 DRW:NAIDA 2005/02/22 CHK:K1010 2005/02/22 APPR:NUKITA 2005/02/28	GENERAL TOLERANCES (UNLESS SPECIFIED)		DIMENSION STYLE MM ONLY		SCALE 5:1	DESIGN UNITS METRIC	THIRD ANGLE PROJECTION
	10 UNDER	±0.2	DRAWN BY TTSUBOI	DATE '04/01/15	TITLE NEW 2.0 WIRE TO BOARD CONN. WAFER ASSY R/A -LEAD FREE-		
	10 OVER 30 UNDER	±0.25	CHECKED BY SMARUYAM	DATE '04/01/15	MOLEX INCORPORATED		
	30 OVER	±0.3	APPROVED BY MSASAO	DATE '04/01/15	DOCUMENT NO. SD-53254-001	SHEET NO. 1 OF 1	
	ANGULAR ±3 °	DRAFT WHERE APPLICABLE MUST REMAIN WITHIN DIMENSIONS		SEE CHART		THIS DRAWING CONTAINS INFORMATION THAT IS PROPRIETARY TO MOLEX INCORPORATED AND SHOULD NOT BE USED WITHOUT WRITTEN PERMISSION	