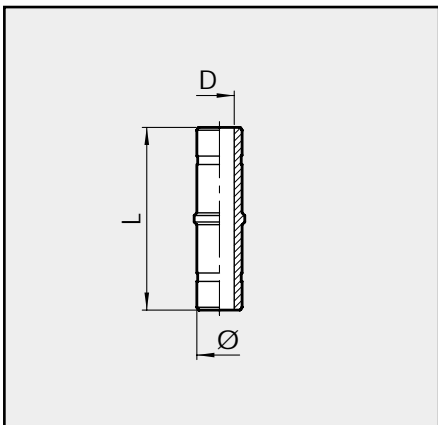




EXTENSION (R7)

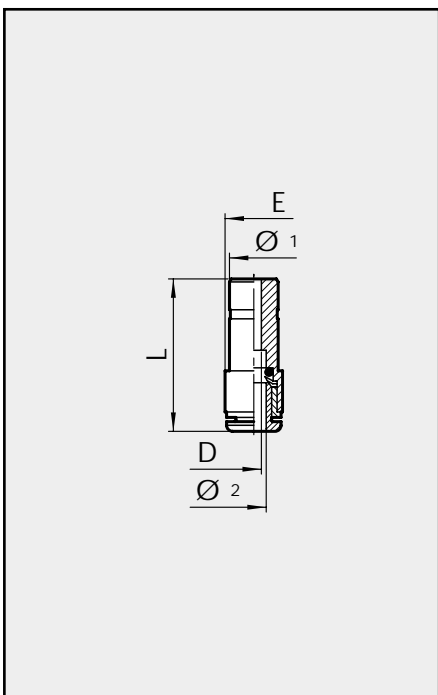
Code Ref. Ø L D



2007001	R7	4	34.0	2
2007002	R7	5	34.0	3
2007003	R7	6	37.5	4
2L07004	RL7	8	37.5	6
2007005	R7	10	45.0	8
2007006	R7	12	48.0	10
2007007	R7	14	52.0	12

REDUCER (R8)

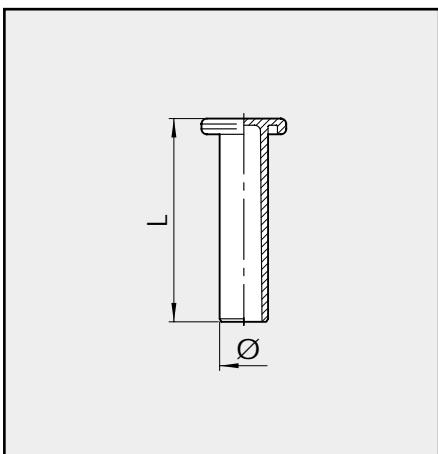
Code Ref. Ø1 Ø2 L D E



MINIATURE SERIES FOX						
2008A01	R8	4	3	26	2	6.3
2008A02	R8	4	3.17	26	2	6.3
2L08002	RL8	6	4	28.9	2.5	9.5
2L08004	RL8	8	4	28	2.5	9.5
2L08006	RL8	8	6	31.6	4.5	11.5
2L08007	RL8	10	6	32.9	5.0	11.5
2L08008	RL8	10	8	34.5	7.0	13.5
SERIES R						
2008001	R8	5	4	34.5	3.0	11.5
2008002	R8	6	4	35.0	3.0	11.5
2008003	R8	6	5	36.0	4.0	12.0
2008004	R8	8	4	36.0	3.0	11.5
2008005	R8	8	5	36.0	4.0	12.0
2008006	R8	8	6	38.0	5.0	13.5
2008007	R8	10	6	38.0	5.0	13.5
2008008	R8	10	8	43.5	7.0	15.5
2008009	R8	12	4	38.0	3.0	13.0
2008010	R8	12	6	39.0	5.0	13.5
2008011	R8	12	8	40.0	7.0	15.5
2008015	R8	12	10	47.5	9	18.0
2008014	R8	14	8	41.0	7.0	15.5
2008017	R8	14	10	44.0	9.0	18.0
2008018	R8	14	12	50.5	10.0	20.5
ADDITION						
2009001	R8/M	4	6	35.0	2.5	13.5

PLUG (R9)

Code Ref. Ø L



2010A02	R9	3	20
2L10A01*	RL9T	3.17	19.6
2L10001*	RL9T	4	27.0
2010002	R9	5	27.0
2L10003*	RL9T	6	29.8
2L10004*	RL9T	8	33.6
2L10005*	RL9T	10	36.8
2L10006*	RL9T	12	39
2010007	R9	14	38

* MADE OF TECHNOPOLYMER