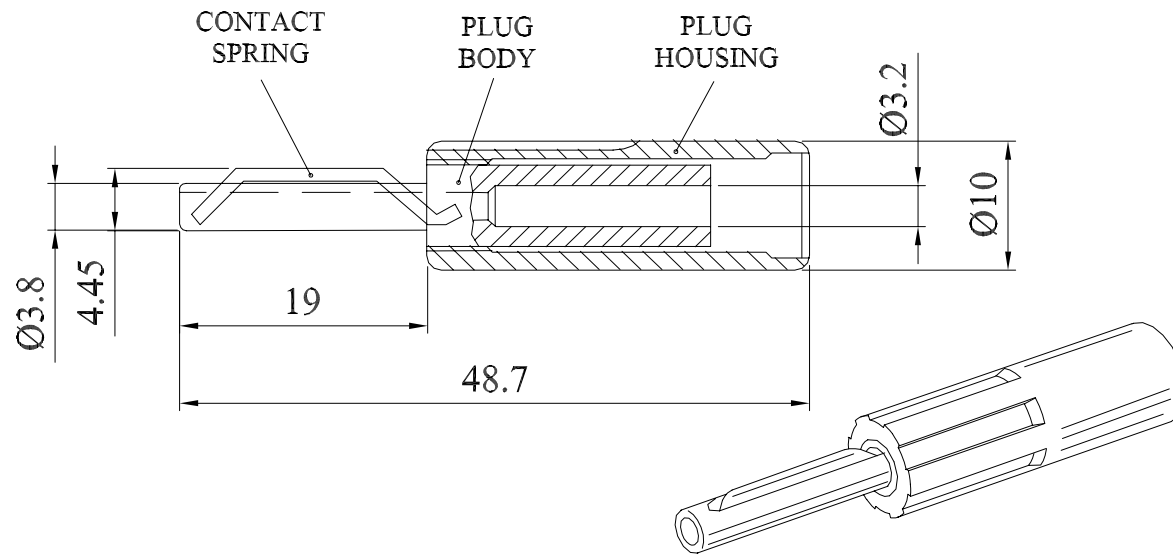


A standard in-line 4mm banana plug with a stainless steel contact spring.
 The product is also supplied with a large diameter insulating cover that accepts cables with a maximum outside diameter of 7,1mm.
 Two sizes of crimp bucket are available, Ø3,2mm (this sheet) and Ø3,8mm, which are secured using a Miles Roystone D36 Hydraulic Crimp Tool.

MATERIAL CONTACT SPRING : Stainless Steel, BS 302
 PLUG BODY : Brass, TR1 CZ 131
 PLUG HOUSING : Acetal, C 27021 R
 RATING : 10 Amps
 VOLTAGE : 50 Volts max

Dimensions



Deltron Part	
585-0100	BLACK
585-0500	RED

CONVERTED FROM PS0790 ISS5 (02.12.97) IN JAN 2003

DrgNo 585 SERIES TITLE CRIMP TERMINATION - Ø3.2mm HOLE ALL DIMENSIONS IN MM ANGLES IN DECIMAL DEGREES

DELTRON Components	ISSUE 5	GENERAL SPECIFICATION FOR STANDARD 4mm PLUG	CUSTOMER		FILTER REF	
			Aprvd Date 10/02/03	Aprvd By MC	Drwn by BFS	Scale: NTS