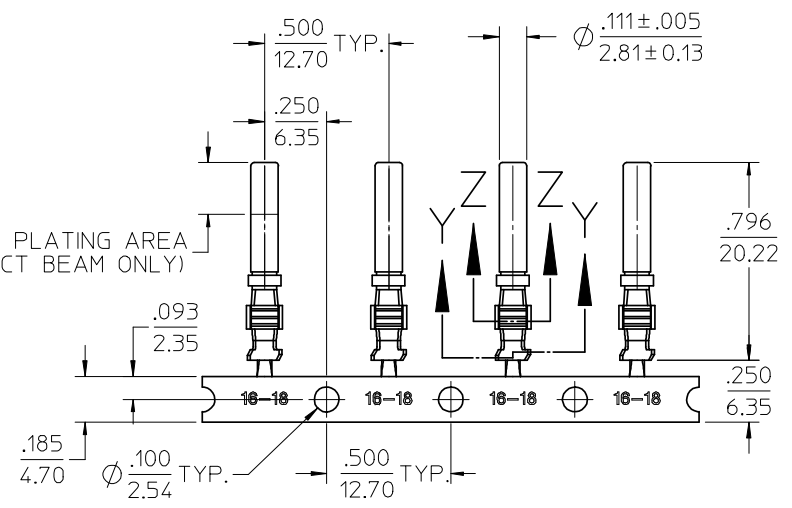
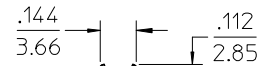
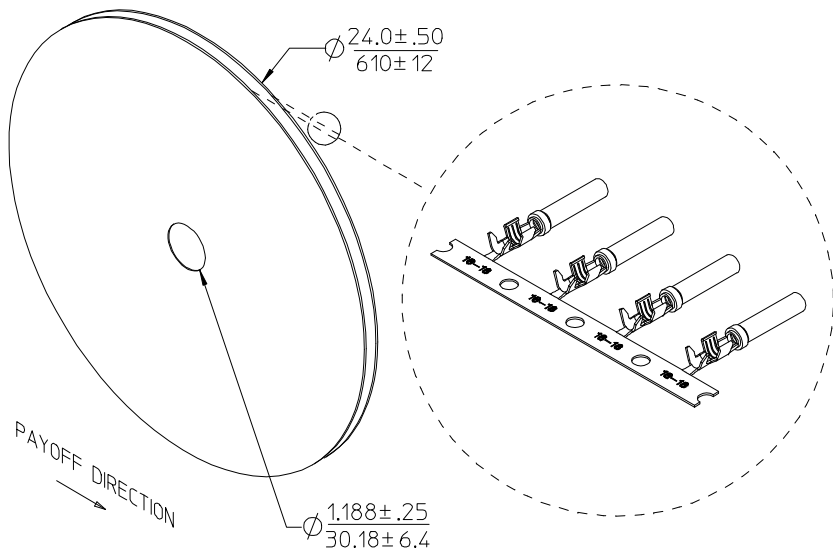


STRIP MATERIAL NUMBER	FINISH
84590-0025	OVERALL NICKEL 80µ" MINIMUM



SELECT PLATING AREA (CONTACT BEAM ONLY)

ⓐ WIRE INSULATION O.D. RANGE .055-.085 / 1.40-2.16

NOTES:

1. TERMINAL MATERIAL: COPPER ALLOY, .0120/0.305 THICK. HOOD MATERIAL: STAINLESS STEEL, .008/0.20 THICK.
2. FINISH: SEE CHART.
3. STRIP TERMINALS ARE REELED AS SHOWN ABOVE, 3000 PARTS PER REEL.
4. TERMINAL FOR USE WITH SERIES XRC CONNECTOR ASSEMBLIES.
5. ALL DIMENSIONS ARE REFERENCE.
6. ALL MATERIALS AND FINISHES ARE ROHS COMPLIANT.

UPDATE WIRE INSL. OD EC NO: WNA2008-0261 DRAWN: WLEUNG 2008/04/29 CHKD: RDEROSS 2008/04/30 APPR: RDEROSS 2008/05/01 G	QUALITY SYMBOLS ▽=0 ▽=0	GENERAL TOLERANCES (UNLESS SPECIFIED)		DIMENSION STYLE IN/MM		SCALE 2:1	DESIGN UNITS INCH	THIRD ANGLE PROJECTION
		4 PLACES ± --- ± ---	mm	INCH	DRAWN BY RSTONE DATE 10/20/04	TITLE CONTACT SOCKET (HOODED), 16-18 AWG		
		3 PLACES ± --- ± .010			CHECKED BY APLAZA DATE 10/21/04	Molex MOLEX INCORPORATED		
		2 PLACES ± 0.25 ± .02			APPROVED BY LROTHAUS DATE 10/22/04	DOCUMENT NO. SD-84590-006	SHEET NO. 1 OF 1	
		1 PLACE ± 0.5 ± ---			MATERIAL NO. SEE CHART	DRAFT WHERE APPLICABLE MUST REMAIN WITHIN DIMENSIONS		
		ANGULAR ± 3°		SIZE B		THIS DRAWING CONTAINS INFORMATION THAT IS PROPRIETARY TO MOLEX INCORPORATED AND SHOULD NOT BE USED WITHOUT WRITTEN PERMISSION		