

NOTES:

1. THIS LIGHT PIPE ASSEMBLY TO BE USED WITH THE FOLLOWING 1X1 SFP CAGE ASSEMBLIES:

747370002 - 1X1 SFP CAGE ASSEMBLY W/ SPRING FINGER GASKET (REFER TO DOCUMENT SD-74737-002 FOR DETAILS)

747370004 - 1X1 SFP CAGE ASSEMBLY W/ SPRING FINGER GASKET, BELLY-TO-BELLY (REFER TO DOCUMENT SD-74737-004 FOR DETAILS)

2. IT IS RECOMMENDED THAT THE CAGE ASSEMBLY BE PRESSED INTO THE PCB PRIOR TO ASSEMBLING THE LIGHT PIPE ASSEMBLY.

3. LED'S TO HAVE A MAXIMUM HEIGHT OF 1.4mm AND A MINIMUM HEIGHT OF 0.7mm.

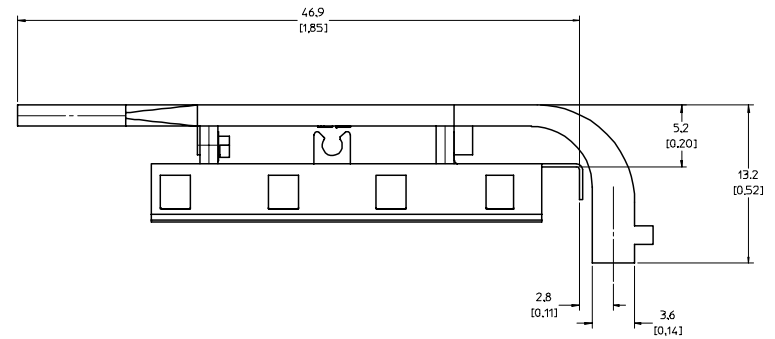
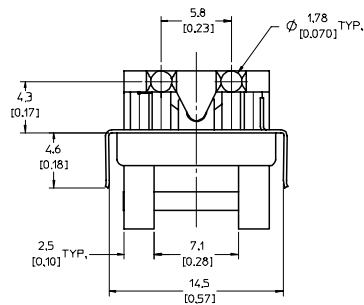
4. RECOMMENDED LED'S INCLUDE THE FOLLOWING MANUFACTURES:

DIALIGHT: 597-77x1-5xx SERIES

CHICAGO MINIATURE: 7016 SERIES

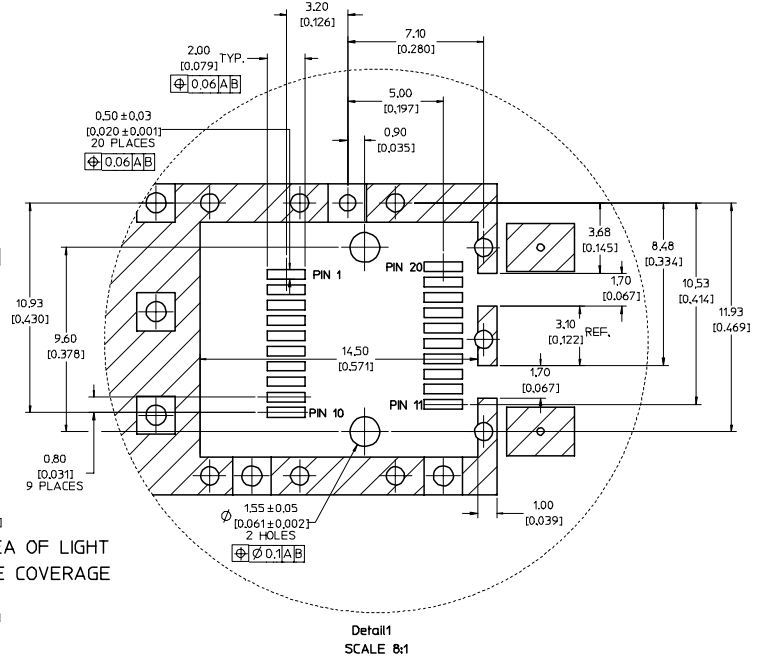
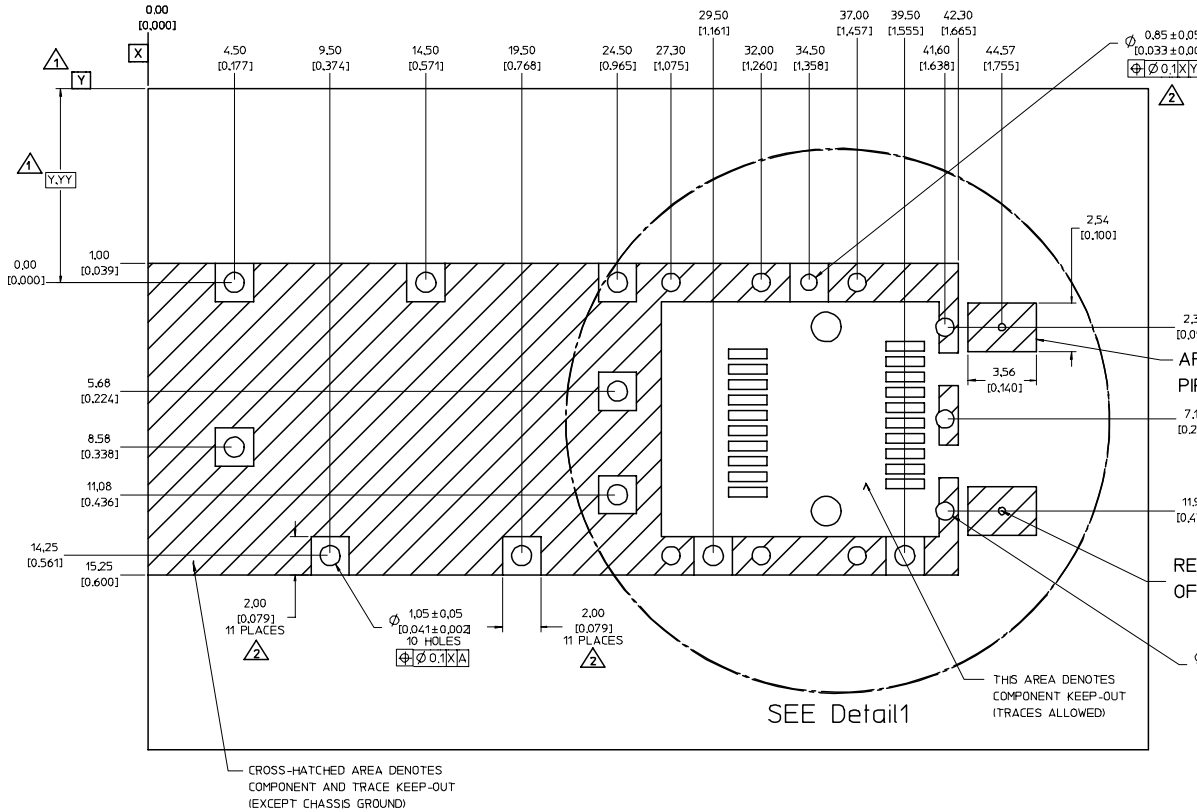
KINGBRIGHT: APBL3025 SERIES (BICOLOR)
APL3015 SERIES (SINGLE COLOR)

5. THIS PART MEETS THE RESTRICTION OF HAZARDOUS SUBSTANCES IN ELECTRICAL AND ELECTRONIC EQUIPMENT (ROHS) DIRECTIVE (2002/95/EC).

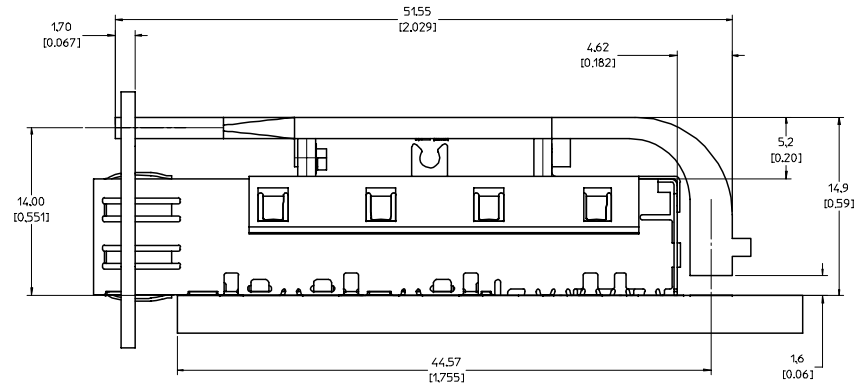
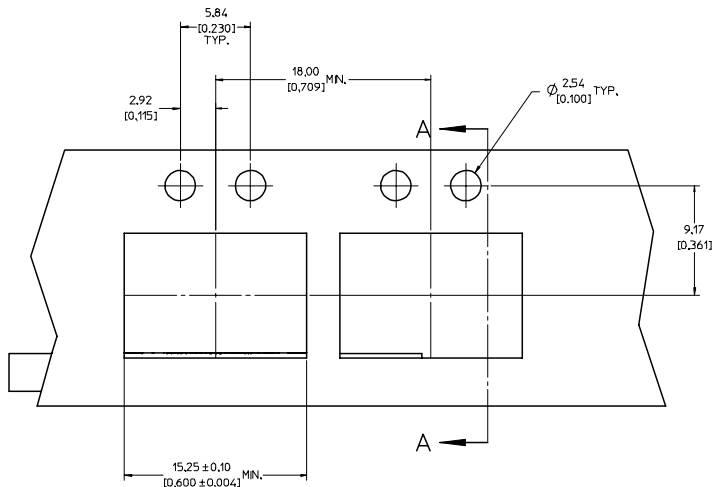
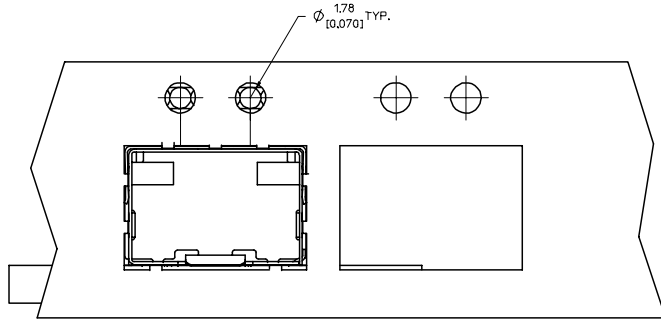


ENTER DESCRIPTION EC NO: UST2006-0013 DRAWN BY: DRWNSKI/IMONSO 2005/07/25 CHECKED BY: CHKCB/BRUSSELL 2005/07/25 APPR: BRUSSELL 2005/07/28 DESCRIPTION:	QUALITY SYMBOLS	GENERAL TOLERANCES (UNLESS SPECIFIED)	DIMENSION STYLE	SCALE	DESIGN UNITS	THIRD ANGLE PROJECTION	
	▽=0 ▽=0	mm INCH 4 PLACES ± --- ± --- 3 PLACES ± --- ± .005 2 PLACES ± 0.13 ± .01 1 PLACE ± 0.25 ± --- ANGULAR ± 1 °	MM/IN	5:1	METRIC	DRAWN BY: KS IMONSO 2004/07/08 CHECKED BY: BRUSSELL 2004/07/08 APPROVED BY: BRUSSELL 2004/07/08	
	DRAFT WHERE APPLICABLE MUST REMAIN WITHIN DIMENSIONS			MATERIAL NO: 747260001 SIZE: D		TITLE: 1X1 SFP LIGHT PIPE ASSEMBLY, BACK-TOP MOLEX INCORPORATED DOCUMENT NO: SD-74726-001	
				SHEET NO: 1 OF 4		THIS DRAWING CONTAINS INFORMATION THAT IS PROPRIETARY TO MOLEX INCORPORATED AND SHOULD NOT BE USED WITHOUT WRITTEN PERMISSION	

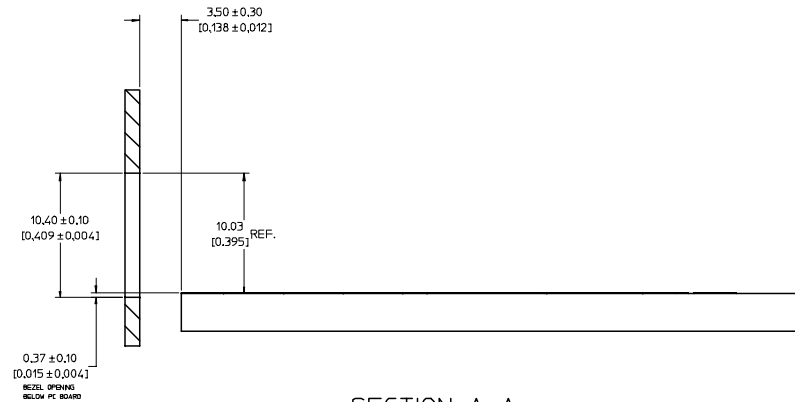
- 1 DATUM AND BASIC DIMENSIONS ESTABLISHED BY CUSTOMER.
- 2 PADS AND VIAS ARE CHASSIS GROUND.
- 3 HOLE LAYOUT SHOWN IS FOR SINGLE SIDED MOUNTING ONLY. BELLY TO BELLY MOUNTING REQUIRES LAYOUT MIRRORED ON OPPOSITE SIDE OF BOARD. CAGE DESIGN AND TRANSCIEVER PROFILE SHOULD BE CONSIDERED IN DETERMINING MINIMUM BOARD THICKNESS IN BELLY TO BELLY MOUNTING.
4. CONNECTOR PAD LAYOUT PER SFP MSA, WILL ACCOMMODATE MOLEX CONNECTOR SERIES 74441 OR EQUIVALENT.



ENTER DESCRIPTION EC NO: UST2006-0013 DRAWN BY: DRWANKS/IMONSON 2005/07/25 CHECKED BY: CHFK/BRUSSELL 2005/07/25 APPR: BRUSSELL 2005/07/28	QUALITY SYMBOLS ▽=0 ▽=0	GENERAL TOLERANCES (UNLESS SPECIFIED)		DIMENSION STYLE MM/IN		SCALE 8:1	DESIGN UNITS METRIC	THIRD ANGLE PROJECTION
		4 PLACES ± --- ± --- 3 PLACES ± --- ± .005 2 PLACES ± 0.13 ± .01 1 PLACE ± 0.25 ± --- ANGULAR ± 1 °	mm INCH	DRAWN BY KS IMONSON DATE 2004/07/08	CHECKED BY BRUSSELL DATE 2004/07/08	TITLE 1X1 SFP LIGHT PIPE ASSEMBLY, BACK-TOP		MATERIAL NO. 747260001
DRAFT WHERE APPLICABLE MUST REMAIN WITHIN DIMENSIONS		THIS DRAWING CONTAINS INFORMATION THAT IS PROPRIETARY TO MOLEX INCORPORATED AND SHOULD NOT BE USED WITHOUT WRITTEN PERMISSION						



NOTE: MAX LED HEIGHT OF 1.40/[0.055]



SECTION A-A

ENTER DESCRIPTION EC NO: UST2006-0013 M: DRINKS MONSON 2005/07/25 CHK: BRUSSELL 2005/07/25 APPR: BRUSSELL 2005/07/28	QUALITY SYMBOLS ▽=0 ▽=0	GENERAL TOLERANCES (UNLESS SPECIFIED)		DIMENSION STYLE MM/IN		SCALE 5:1	DESIGN UNITS METRIC	THIRD ANGLE PROJECTION	
		mm	INCH	DRAWN BY	DATE	TITLE 1X1 SFP LIGHT PIPE ASSEMBLY, BACK-TOP			
		4 PLACES ± --- ± ---		KS IMONSO	2004/07/08	MOLEX INCORPORATED			
		3 PLACES ± --- ± .005		BRUSSELL	2004/07/08	MATERIAL NO: 747260001 DOCUMENT NO: SD-74726-001 SHEET NO: 3 OF 4			
DRAFT WHERE APPLICABLE MUST REMAIN WITHIN DIMENSIONS		ANGULAR ± 1 °		APPROVED BY BRUSSELL 2004/07/08		THIS DRAWING CONTAINS INFORMATION THAT IS PROPRIETARY TO MOLEX INCORPORATED AND SHOULD NOT BE USED WITHOUT WRITTEN PERMISSION			

20 19 18 17 16 15 14 13 12 11 10 9 8 7 6 5 4 3 2 1

M

L

K

J

I

H

G

F

E

D

C

B

A

M

L

K

J

I

H

G

F

E

D

C

B

A

DATE	REV	CHANGES	COMMENTS
2004/03/05	1	PRELIMINARY DOCUMENT	N/A
2004/07/08	A	INITIAL RELEASE	N/A
2005/01/17	B	UPDATED VIEWS	DOCUMENT CHANGE ONLY
2005/06/03	C	CORRECTED P/N FOR DIALIGHT LED	DOCUMENT CHANGE ONLY
2005/07/11	D	UPDATED VIEWS	DOCUMENT CHANGE ONLY
2005/07/25	E	ADDED DIMENSIONS PER CUSTOMER REQUEST	DOCUMENT CHANGE ONLY

ENTER DESCRIPTION EC NO: USY2006-0013 DRAWN BY: KSRW/MS CHECKED BY: CHKB/RS APPR: BRUSSELL	QUALITY SYMBOLS ▽=0 ▽=0	GENERAL TOLERANCES (UNLESS SPECIFIED)		DIMENSION STYLE MM/IN		SCALE 1:1	DESIGN UNITS METRIC	THIRD ANGLE PROJECTION
		4 PLACES ± --- ± --- 3 PLACES ± --- ± .005 2 PLACES ± 0.13 ± .01 1 PLACE ± 0.25 ± --- ANGULAR ± 1 °	INCH ± --- ± .005 ± .01 ± ---	DRAWN BY KSRW/MS DATE 2004/07/08	CHECKED BY BRUSSELL DATE 2004/07/08	TITLE 1X1 SFP LIGHT PIPE ASSEMBLY, BACK-TOP		
				APPROVED BY BRUSSELL DATE 2004/07/08		Molex MOLEX INCORPORATED		
		DRAFT WHERE APPLICABLE MUST REMAIN WITHIN DIMENSIONS		MATERIAL NO. 747260001		DOCUMENT NO. SD-74726-001		SHEET NO. 4 OF 4
				SIZE D		THIS DRAWING CONTAINS INFORMATION THAT IS PROPRIETARY TO MOLEX INCORPORATED AND SHOULD NOT BE USED WITHOUT WRITTEN PERMISSION		

19 18 17 16 15 14 13 12 11 10 9 8 7 6 5 4 3 2 1