



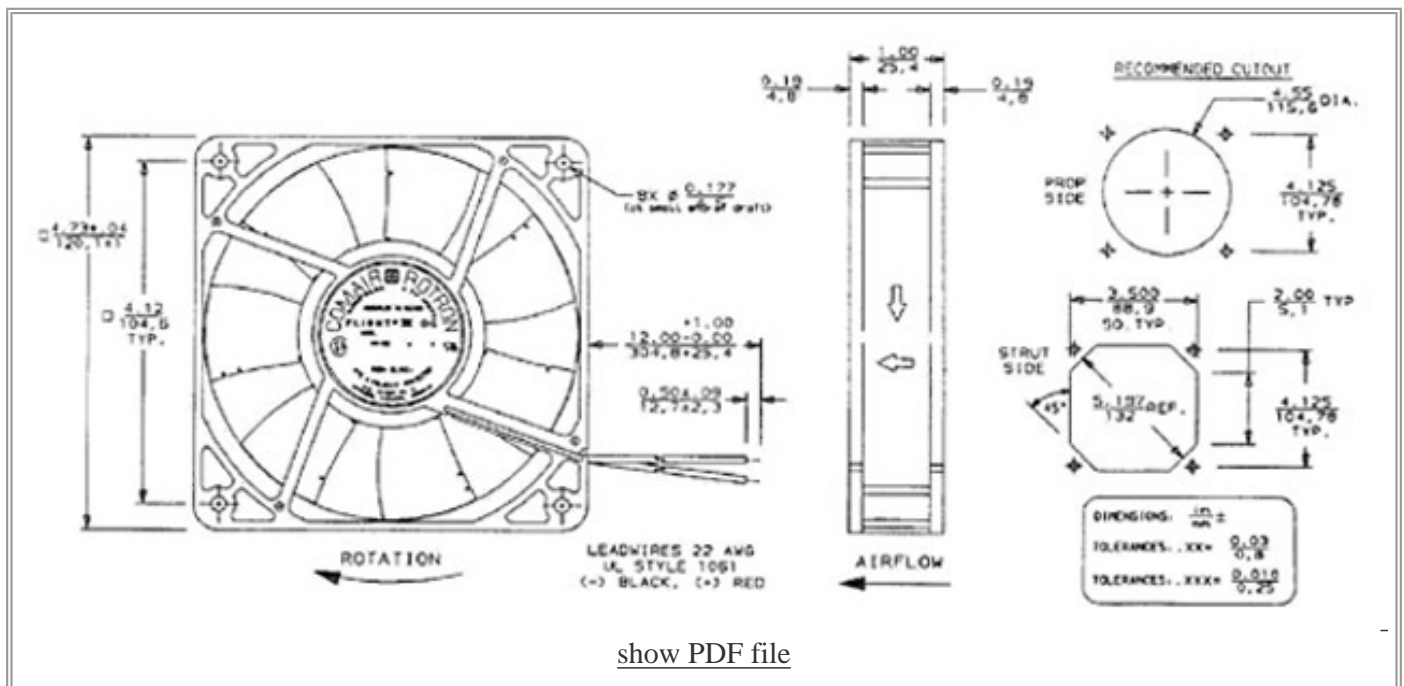
## Flight II 120 (DC Fan)

COMAIR ROTRON PART NUMBER: **031175**  
 COMAIR ROTRON MODEL NUMBER: **FT24B3**

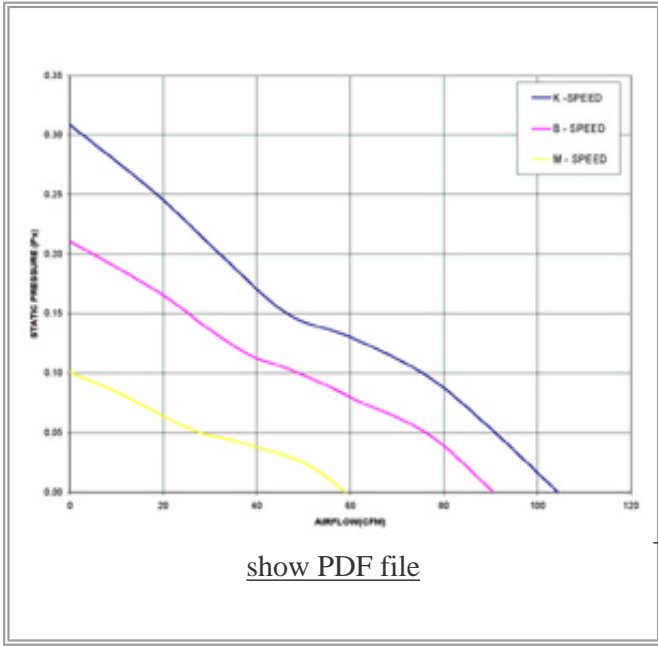


MOTOR	
Rated Voltage:	24
Operating Voltage Range:	12 - 28
Running Current: 50Hz   60Hz (amps)	
Locked Rotor Current: (amps)	0.44
Rated Power: 50Hz   60Hz (watts)	
Nominal Speed: 50Hz   60Hz (rpm)	

MECHANICAL	
Dimensions:	120mm x 25mm (4.72in x 1.00in)
Bearing Type:	Ball
Motor Base:	Polyphenylene Oxide (PPO), UL94V-0, Black
Propeller:	Polybutylene Terephthalate (PBT), UL94V-0, Black




### NOTES



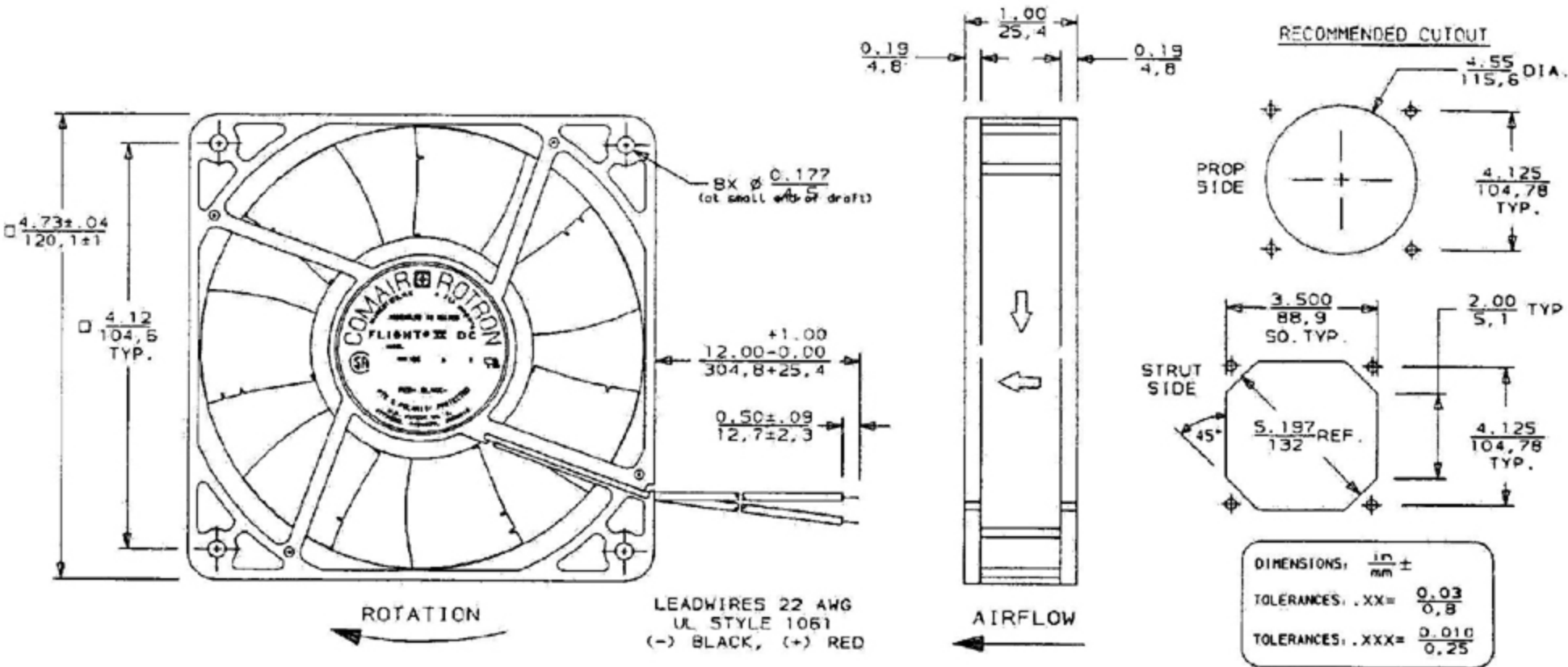
PERFORMANCE CHARACTERISTICS	
Air Flow: (CFM)	90
Static Pressure:	.211

TERMINATION	
Leadwires:	12" Leadwires

SAFETY				
				

All product names are used under license and are trademarks or registered trademarks of Comair Rotron, Inc.

[New Search](#)



Specifications subject to change without notice.