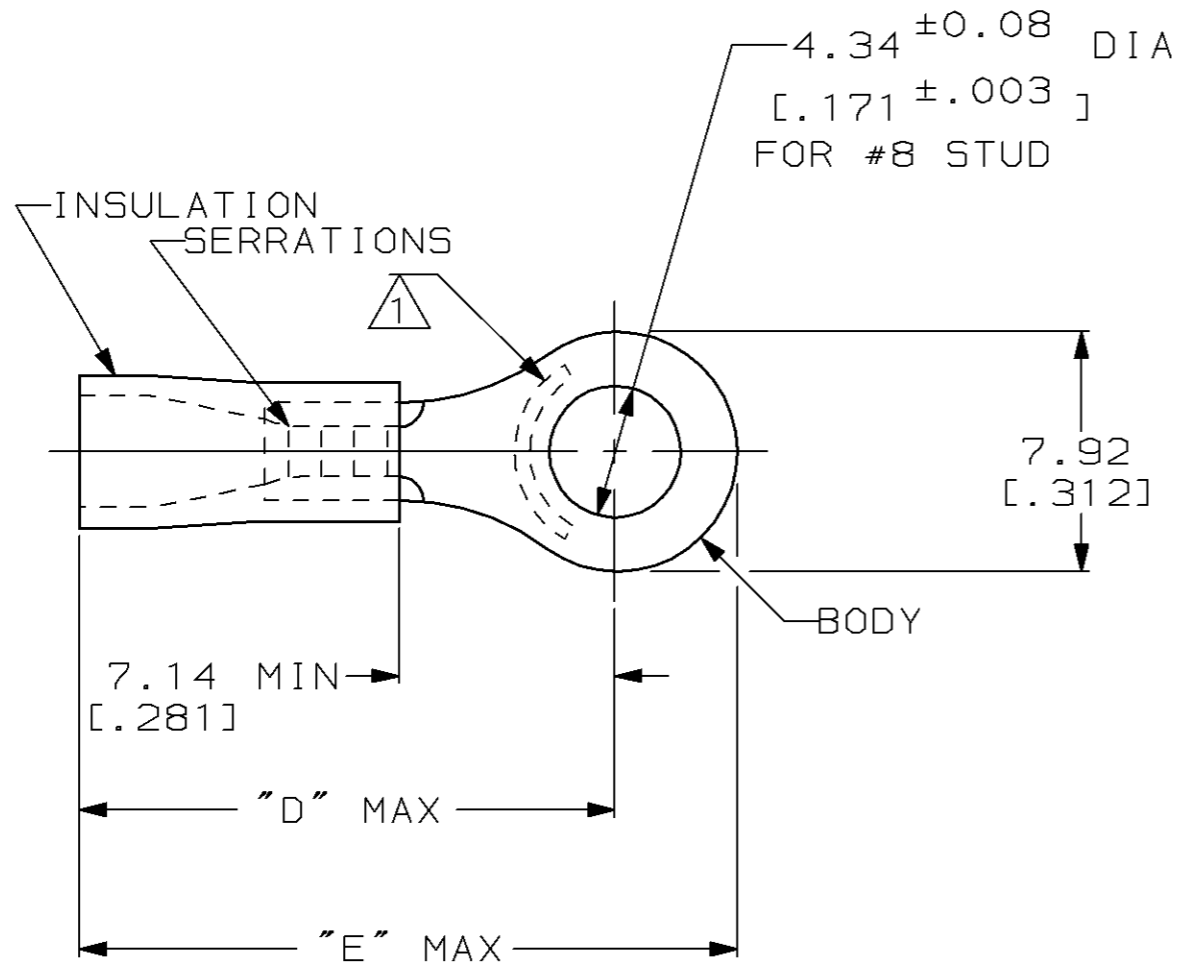


THIS DRAWING IS UNPUBLISHED. RELEASED FOR PUBLICATION, 19 .
 © COPYRIGHT 19 BY AMP INCORPORATED. ALL INTERNATIONAL RIGHTS RESERVED.

LOC	DIST	P	F	REVISIONS				
G	14			ZONE	LTR	DESCRIPTION	DATE	APPD
					R	REV / 0G10-0136-98	21OCT98	MLE SB



AMP WIRE RANGE	UL Listed	LR7189 Certified
22-16 AWG SOLID OR STRANDED	22-16 AWG SOLID OR STRANDED	22-16 AWG SOLID OR STRANDED

1 STAMP AMP 22-18* 1-2 APPROX AS SHOWN
 22-16 TERMINALS ARE STAMPED 22-18 IN
 ACCORDANCE WITH MILITARY SPEC MIL-T-7928
 COMMERCIAL WIRE RANGE IS 22-16

2 TONGUE MATERIAL THK: 0.79 ± 0.05 [.031 ± .002]

21.74 [.856]	17.70 [.697]	2.67-3.56 [.105-.140]	100	LOOSE PC, BOX	8-34148-1
22.99 [.905]	18.95 [.746]	2.67-5.08 [.105-.200]	5000	ON TAPE, REEL	2-34148-4
21.74 [.856]	17.70 [.697]	2.67-3.56 [.105-.140]	5000	ON TAPE, REEL	2-34148-1
			1000	LOOSE PIECE	34148
"E"	"D"	WIRE INSULATION DIA	QTY	PACKAGE TYPE	PART NUMBER

**AMP INCORPORATED
 CUSTOMER SERVICE SYSTEMS**

FOR ADDITIONAL PRODUCT INFORMATION OR COPIES OF DRAWINGS AND TECHNICAL DOCUMENTS	PRODUCT INFORMATION CENTER 1-800-522-6752
FOR APPLICATION TOOLING INFORMATION	TOOLING ASSISTANCE CENTER 1-800-722-1111
FOR ORDER ENTRY	1-800-526-5142

MAX RECOMMENDED OPERATING
TEMPERATURE:
90°C [194°F]

VOLTAGE RATING:
600V MAX
1000V (FIXTURE OR SIGNS)

CIRCULAR MIL AREA:
0.26-1.65mm² [509-3,260]

THIS DRAWING IS A CONTROLLED DOCUMENT FOR
AMP INCORPORATED. IT IS SUBJECT TO CHANGE
AND THE CONTROLLING ENGINEERING ORGANIZATION
SHOULD BE CONTACTED FOR THE LATEST REVISION.

DO NOT SCALE PRINT.
UNLESS SPECIFIED
DIMENSIONS IN mm [INCHES]
TOLERANCES ON:
2 PLC DEC ± 0.20 [.008]
3 PLC DEC ± -
ANGLES ± -

MATERIAL
COPPER PER ASTM B-152
PVC COLOR: RED

FINISH
TIN PLATE
PER ASTM B 545

DR 08/06/92 OK SCHRUM
CHK 11/10/92 RE HERSEY
APPD 11/10/92 ML ELLIS
APPD 11/10/92 M BARNABA
PRODUCT SPEC UL 486A
APPLICATION SPEC -
WEIGHT -

AMP AMP Incorporated
 Harrisburg, PA 17105-3608

NAME
 TERMINAL, RING TONGUE, PLASTI-GRIP™
 WIRE SIZE, 22-16 AWG

SIZE B	CAGE CODE 00779	DRAWING NO C-34148
SCALE 4:1	SHEET 1 OF 1	