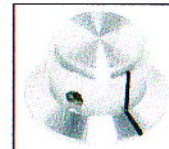


P/N	A	B	C	D	E	Color
KS500A1/8	12.7	10.9	9.5	18.8	3.2	Natural
KS500B1/8	12.7	10.9	9.5	18.8	3.2	Black
KS500A1/4	12.7	10.9	9.5	18.8	6.4	Natural
KS500B1/4	12.7	10.9	9.5	18.8	6.4	Black
KS700A1/8	19.0	16.5	15.0	28.5	3.2	Natural
KS700B1/8	19.0	16.5	15.0	28.5	3.2	Black
KS700A1/4	19.0	16.5	15.0	28.5	6.4	Natural
KS700B1/4	19.0	16.5	15.0	28.5	6.4	Black
KS900A1/4	23.9	20.8	18	35.5	6.4	Natural
KS900B1/4	23.9	20.8	18	35.5	6.4	Black



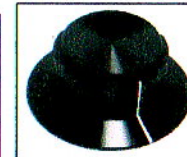
KS500A



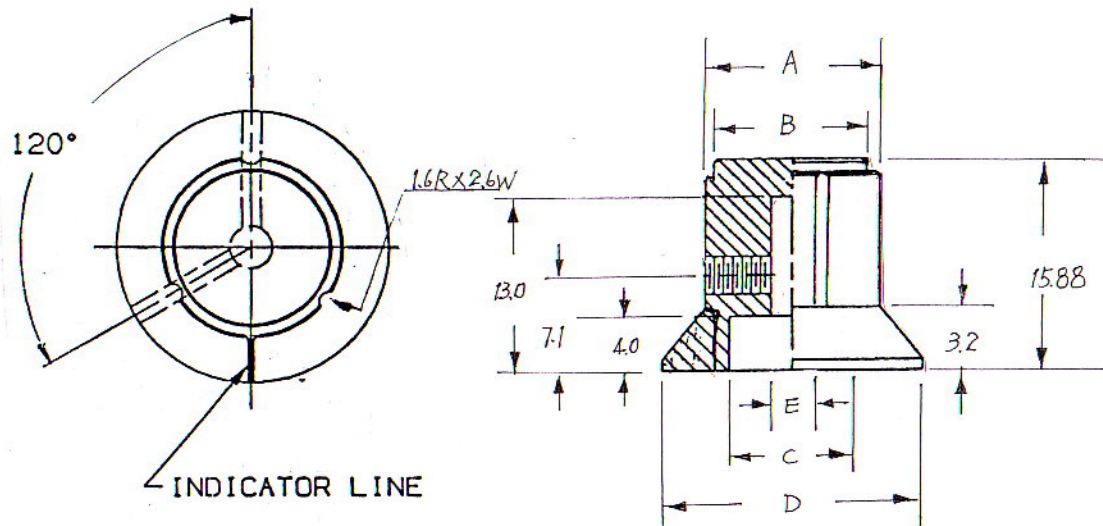
KS700A



KS700B



KS900B1/4



嘉信旋鈕股份有限公司  
 CHIA SHIN KNOBS CO., LTD.  
 351, YUNGHO ROAD,  
 CHUNGHO CITY,  
 TAIPEI HSIEN,  
 TEL: (02) 2225-1216-7  
 FAX: (02) 2222-7312

Material: ALUMINUM SOLIDE  
 Tolerance: +/-0.20  
 Unit : mm

P/N:	
CHIA SHIN P/N:	KS SERIES

Date: 1-Sep-07