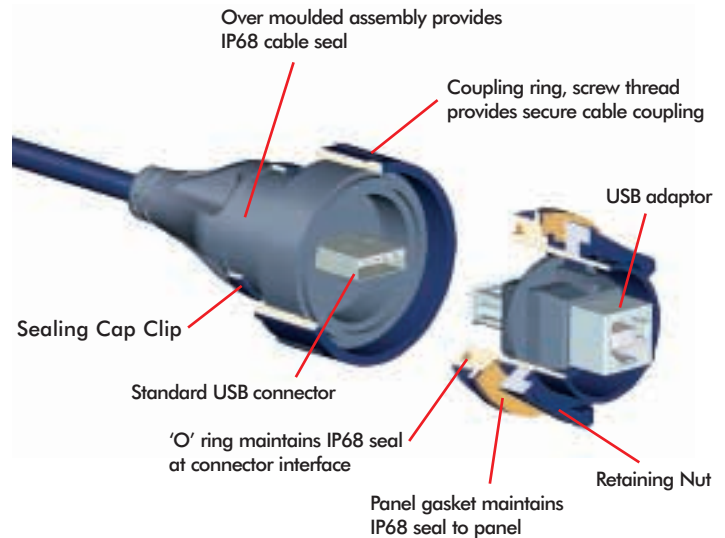


# USB Buccaneer®

**IP68**



- IP68 rated
- USB version 2.0 performance
- Plug and play capability
- Visual mating indication
- Shielded system
- Single and double ended cables
- Screw coupling
- Adaptor leads
- ▶ Dust and waterproof sealing when mated
- ▶ Low and high speed bus connection, 1.5Mbps to 480Mbps
- ▶ Hot pluggable, standard 4 pole interface
- ▶ Alignment indicator reduces risk of damage during mating
- ▶ High noise immunity and EMI protection
- ▶ Suitable for PC and peripheral configuration
- ▶ Secure, proven locking system
- ▶ For use on PCBs

**USB Buccaneer®**

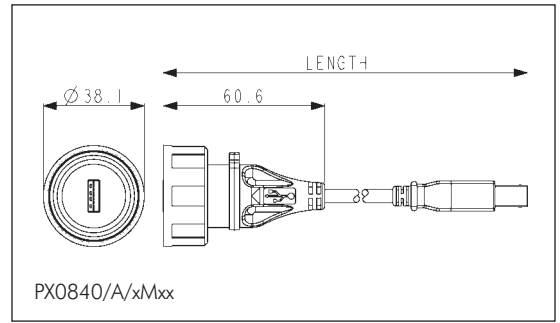
**SEALED USB CABLES - SINGLE ENDED**



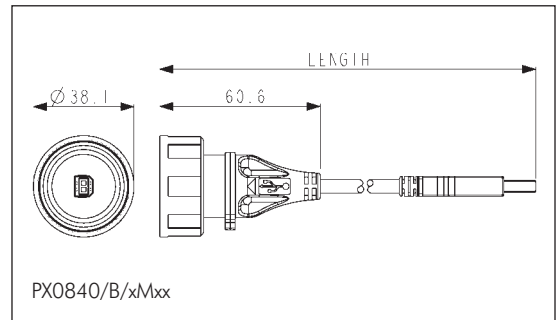
**PX0840/A**

**Single ended sealed cable assembly**

- IP68 'A' type USB connector to standard 'B' type USB connector, mates with PX0842/A
- IP68 'B' type USB connector to standard 'A' type USB connector, mates with PX0842/B
- Available in 2m, 3m and 5m lengths



**PX0840/B**



Part No.	Length	Description
PX0840/A/2M00	2m	IP68 A type USB to standard B type USB
PX0840/A/3M00	3m	IP68 A type USB to standard B type USB
PX0840/A/5M00	5m	IP68 A type USB to standard B type USB
PX0840/B/2M00	2m	IP68 B type USB to standard A type USB
PX0840/B/3M00	3m	IP68 B type USB to standard A type USB
PX0840/B/5M00	5m	IP68 B type USB to standard A type USB

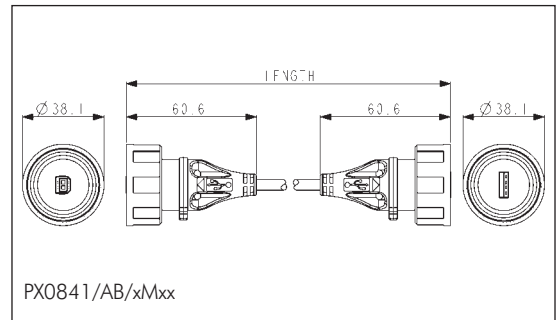
**SEALED USB CABLES - DOUBLE ENDED**



**PX0841/AB**

**Double ended sealed cable assembly**

- IP68 'A' type USB connector to IP68 'B' type USB connector
- Mates with PX0842/A and PX0842/B
- Available in 2m, 3m and 5m lengths



Part No.	Length	Description
PX0841/AB/2M00	2m	IP68 A type USB to IP68 B type USB
PX0841/AB/3M00	3m	IP68 A type USB to IP68 B type USB
PX0841/AB/5M00	5m	IP68 A type USB to IP68 B type USB

BUCCANEER

USB Buccaneer®

PANEL MOUNTING CONNECTOR



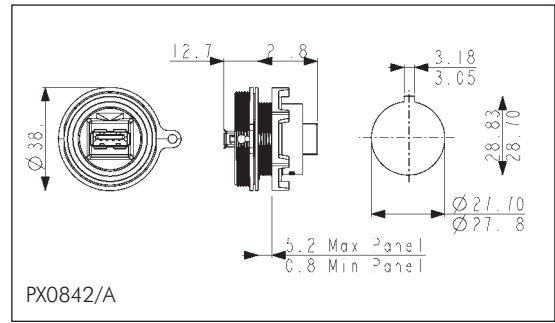
PX0842/A

- Computer USB connector
- Front of panel - 'A' type USB connector to IP68
  - Rear of panel - standard 'B' type socket, mates with standard USB cable or PCB lead
  - Mates with PX0840/A/ and PX0841/AB/ patchcords

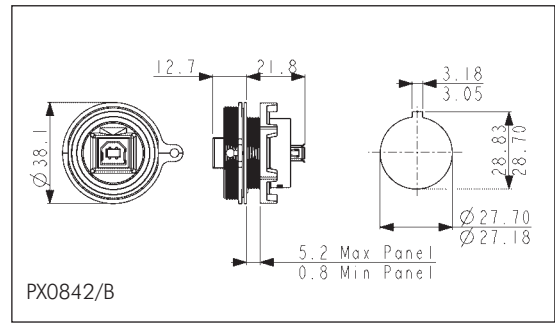


PX0842/B

- Peripheral USB connector
- Front of panel - 'B' type USB connector to IP68
  - Rear of panel - standard 'A' type socket, mates with standard USB cable or PCB lead
  - Mates with PX0840/B/ and PX0841/AB/ patchcords



PX0842/A



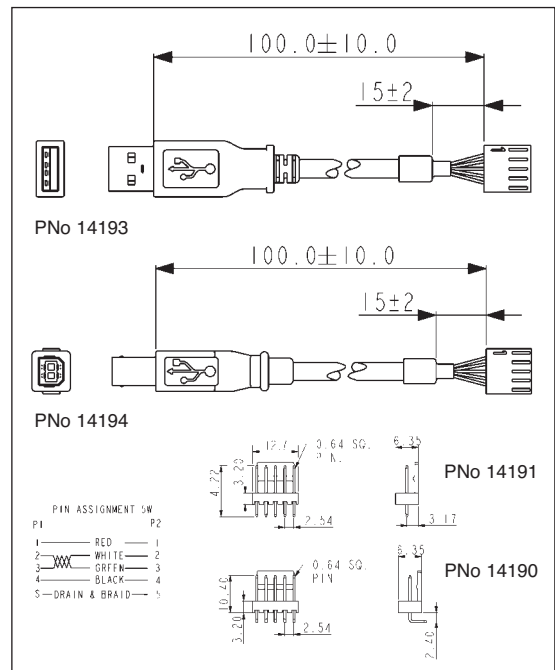
PX0842/B

Part No.	Description
PX0842/A	IP68 A type USB, panel mounted. Sealed A type at front of panel, standard B type at rear.
PX0842/B	IP68 B type USB, panel mounted. Sealed B type at front of panel, standard A type at rear.

PCB ADAPTOR LEADS



- Standard A and B type USB connectors to 5 way crimp adaptor leads
- 5 way headers, 2.54mm pitch, horizontal or vertical mounting

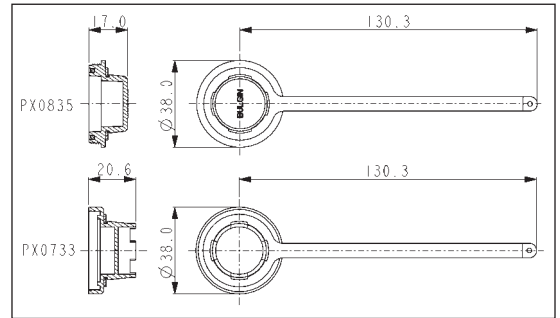


Part No.	Description
14193	USB 'A' type to 5 way crimp connector
14194	USB 'B' type to 5 way crimp connector
14191	5 way PCB header straight
14192	5 way PCB header right angle

**ACCESSORIES**



- Sealing caps to maintain IP68 rating when connectors are not in use
- PX0835 for cable connectors PX0840 and PX0841
- PX0733 for panel mount connector PX0842



Part No.	Description
PX0835	Sealing Cap for cable connectors (PX0840, PX0841)
PX0733	Sealing Cap for panel mounting connector (PX0842)

**SPECIFICATION**

**Cables & connectors**

<b>Electrical</b>			
No. of conductors	4		
Current rating	1A		
Voltage rating	30Vac (RMS)		
Contact resistance	30mΩ max.		
Performance	USB version 2.0		
<b>Materials - connectors</b>			
Shell material	Steel		
Shell plating	Nickel		
Insulation moulding	Glass Filled PBT		
Flammability	UL94V-0		
Contact material	Copper Alloy		
Contact plating	30 micro inch Gold		
Over mould material	PVC (black)		
Operating temperature	0°C to +70°C		
Mating cycles	1,000		
<b>Materials - cable</b>			
Cable Jacket	PVC (black)		
Screen	Tinned copper braid		
Flammability	UL94V-0		
Length:	Dia	Conductors	Conductors
2m	4.8mm	2 x 28AWG	2 x 24AWG
3m	5.0mm	2 x 28AWG	2 x 22AWG
5m	5.2mm	2 x 25AWG	2 x 20AWG

**PCB adaptor leads**

<b>Electrical</b>	
No. of conductors	4
Current rating	1A
Voltage rating	30Vac (RMS)
Contact resistance	<10mΩ max.
PCB pitch	2.54mm
<b>Materials</b>	
Moulding	Polycarbonate
Flammability	UL94V-0
Contact material	Copper Alloy
Contact plating	30 micro inch Gold
Wire insulation	PVC (black)
Flammability	UL94V-0
Conductors	4 x 28AWG
Operating temperature	0°C to +70°C
Mating cycles	1,000

BUCCANEER