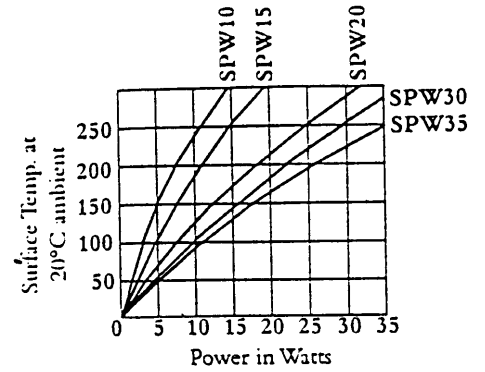
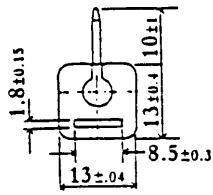
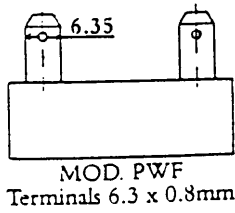


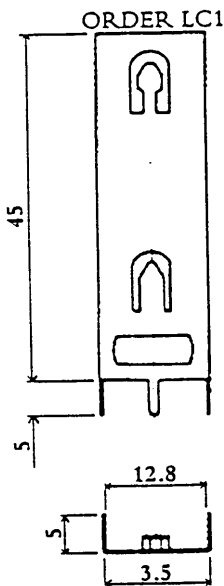
TYPE SPW (HIGH POWER FASTON STYLE)



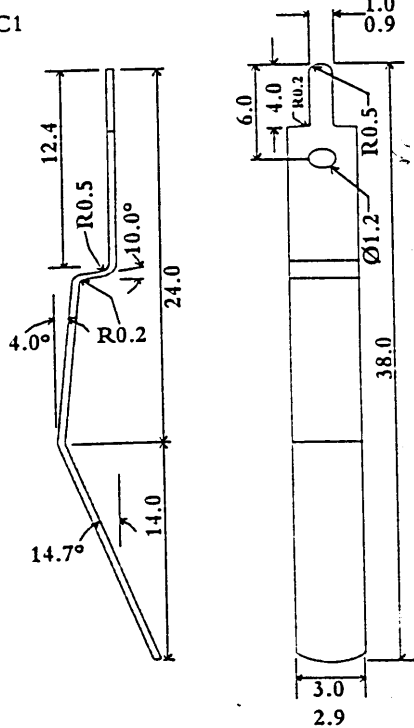
Model	Power Max	Ohmic Values		Dimensions			Weight grams
		Min.	Max.	A	B	L	
SPW-10	10W	2R2	8K2	10	13	38	14
SPW-15	15W	3R3	10K	10	13	50	20
SPW-20	20W	4R7	15K	10	13	75	32
SPW-30	30W	6R8	18K	10	13	100	46
SPW-35	35W	8R2	22K	10	13	120	59

ACCESSORIES

This device is used with models SBCV. ORDER LC1 SUPPORT

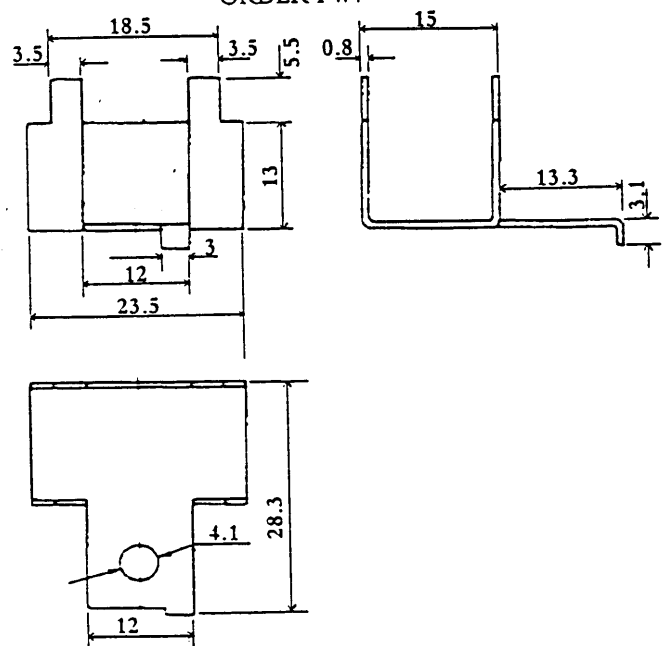


These can be used with SBCH/SBCV models
ORDER BCV SUPPORT PILLAR



This device is suitable for SPW Series. order PW7 AS ACCESSORY AT THE SAME TIME AS RESISTORS

ORDER PW7



HOW TO ORDER

COMMON PART	POWER RATING (WATTS)	RESISTOR VALUE	TOLERANCE
SBCH - Axial SBCV - Vertical SBCLF - Vertical fusible SBCHE - Axial one long lead SCPC - Radial with standoffs SPW - Lug type	6 See Relevant Table	1K0 0.1 Ohm (100 mille Ohms) R10 1 Ohm (1000 mille Ohms) 1R0 1 K Ohm (1000 Ohms) 1K0	J J = 5% K = 10%

N.B. All resistors are supplied with arklone proof seal



Meggitt Electronic Components Ltd. Ohmic House, Westmead Industrial Estate, Swindon, Wilts. SN5 7US
Telephone: (01793)487301 (Admin.) (01793) 611666 (Sales) Telex:449112 Citec G Fax:(01793) 610217 or 511513

This publication is issued to provide outline information only and (unless specifically agreed to the contrary by the Company in writing) is not to form part of any order or be regarded as a representation relating to the products or service concerned. We reserve the right to alter without notice the specification, design, price or conditions of supply of any product or service. Whilst MEC products are of the very highest quality and reliability, all electronic components can occasionally be subject to failure. Where failure of an MEC Product could result in life threatening consequences, then the circuit and application must be discussed with the Company. Such areas might include ECG, respiratory and other medical and nuclear applications and any non safe applications circuit.