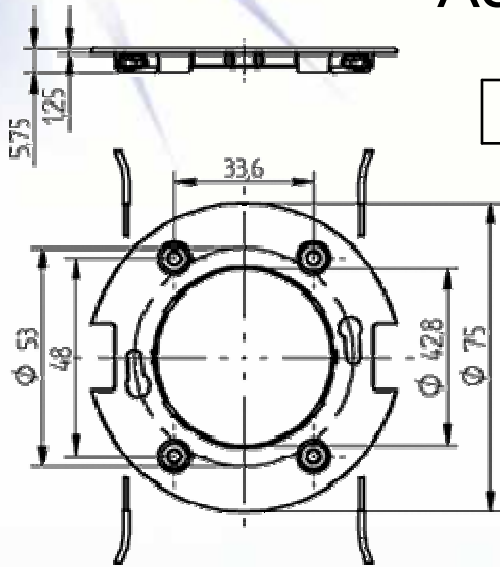


WORLDWIDE

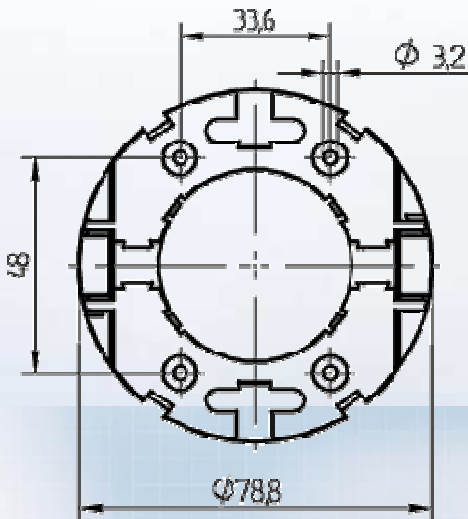
CML INNOVATIVE TECHNOLOGIES
WHERE INNOVATION COMES TO LIGHT

Acsentio Mounting Connector

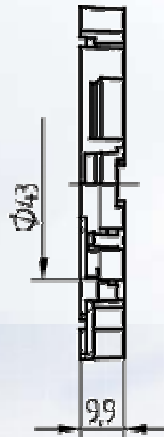
CMLGX53



CMLGX53OW



CMLGX53UW



Screw mount
T-Marking: 100
Approval: cURus
- for cheese head screws M3
- Lampholder body material: PC

CML INNOVATIVE TECHNOLOGIES
WHERE INNOVATION COMES TO LIGHT

America:
CML Innovative Technologies, Inc.
147 Central Avenue
Hackensack - NJ 07601 - USA
Tel: 1-201-489 - 8989
Fax: 1-201-489 - 6911
e-mail: americas@cml-it.com

Europe:
CML Technologies GmbH & Co. KG
Robert-Bunsen-Str. 1
67098 Bad Dürkheim - GERMANY
Tel: +49 (0) 6322 9567-0
Fax: +49 (0) 6322 9567-88
e-mail: europe@cml-it.com

Asia:
CML Innovative Technologies, Inc.
61 Aida Street
Singapore 459975
Tel: (65) 9630 - 5003
e-mail: asia@cml-it.com