

## Curvette LRA-Series Single Pole Lighted Rocker & Paddle Switches



Since its introduction, the Curvette switch has become the barometer for versatility and performance in the miniature switch market. This lighted version features the very same self cleaning contacts, International approvals, along with a wide variety of circuits, ratings, and actuator options makes the Curvette the switch of choice for sundry other markets including HVAC, Office Lighting, Transportation, Commercial Food and Lawn and Garden.

### Dielectric Strength

UL/CSA: 1000V-live to dead metal  
 VDE: 4000V - live to dead metal;  
 750V - across open contacts

### Electrical Life

100,000 cycles

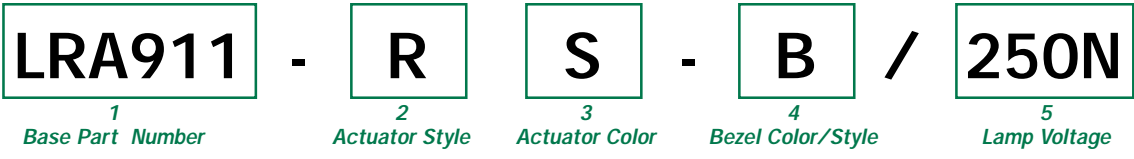
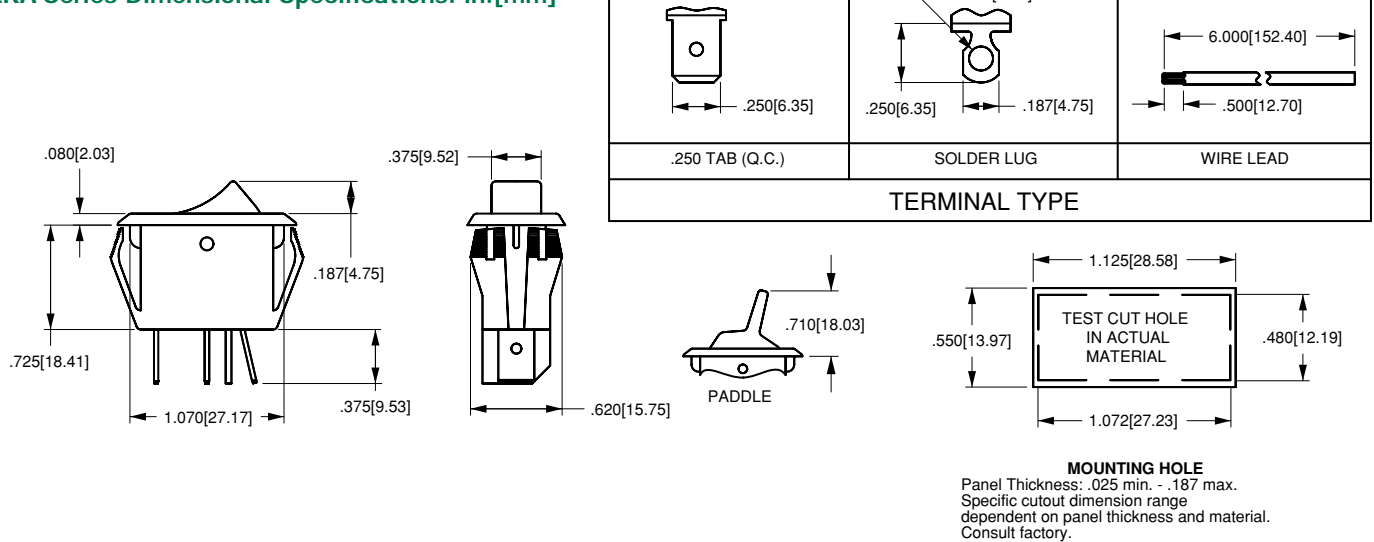
### Mechanical Life

100,000 cycles

### Operating Temperature

32°F to 185°F (0°C to 85°C)

### LRA-Series Dimensional Specifications: in.[mm]



<b>1 BASE PART NUMBER: SERIES/CIRCUITRY/RATING/TERMINATION</b>			
125 NEON LAMP (use <b>125N</b> in <b>SELECTION 5 LAMP VOLTAGE</b> )			
10A 250 VAC; 16A 125 VAC; 10(4) A 125 VACu			
	Solder Lugs	.250 Tabs	Wire Leads
OFF-NONE-ON	<b>LRA210</b>	<b>LRA211</b>	<b>LRA215</b>
250 NEON LAMP (select <b>250N</b> in <b>SELECTION 5 LAMP VOLTAGE</b> )			
10A 250 VAC; 16A 125 VAC; 10(4) A 250 VAC T85			
	Solder Lugs	.250 Tabs	Wire Leads
OFF-NONE-ON	<b>LRA910</b>	<b>LRA911</b>	<b>LRA915</b>
INCANDESCENT LAMP (Select <b>006V</b> for 6 volt; <b>012V</b> for 12 volt incandescent or <b>024V</b> for 24 volt incandescent in <b>SELECTION 5 LAMP VOLTAGE</b> )			
16A 24 V			
	Solder Lugs	.250 Tabs	Wire Leads
OFF-NONE-ON	<b>LRA510</b>	<b>LRA511</b>	<b>LRA515</b>

<b>3 ACTUATOR COLOR</b>	
<i>translucent</i>	<i>clear</i>
<b>A</b> amber	<b>A</b> amber
<b>C</b> white	<b>C</b> clear
<b>P</b> yellow	<b>G<sup>1</sup></b> green
<b>S</b> red	<b>B<sup>1</sup></b> blue
<b>W</b> pale red	<b>R</b> red

<b>4 BEZEL COLOR/STYLE</b>	
<b>B</b> black - standard	
<b>W</b> white - standard	
<b>1</b> black - oval	
<b>2</b> white - oval	

<b>2 ACTUATOR STYLE</b>	
<b>P</b> paddle	
<b>R</b> rocker translucent	
<b>C</b> rocker clear	

<b>5 LAMP VOLTAGE</b>	
<b>006V</b>	6 volts incandescent
<b>012V</b>	12 volts incandescent
<b>018V</b>	18 volts incandescent
<b>024V</b>	24 volts incandescent
<b>125N<sup>1</sup></b>	125 volts neon
<b>250N<sup>1</sup></b>	250 volts neon

NOTES  
 LED illumination, PC terminals, as well as additional ratings and color options are available. Consult factory for details.  
 1 Neon Lamps not available with blue or green rockers