
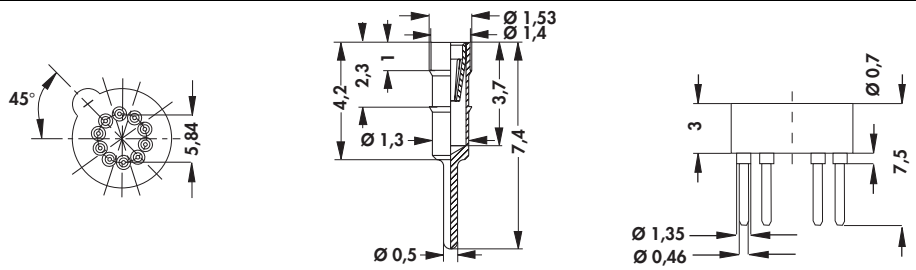

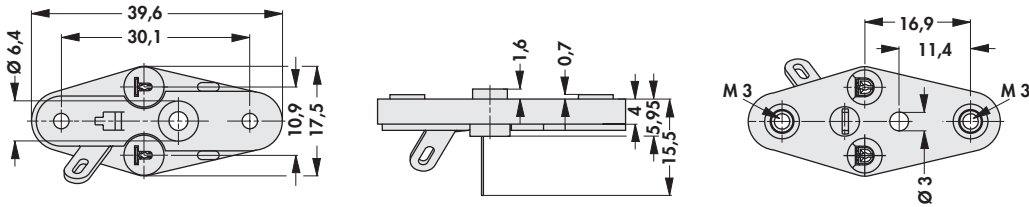


Sockets for TO 5

	
<p>art. no.</p>	<p>no. of contacts</p>
<p>PF 510 ...</p>	<p>10</p>
<p>please indicate: ... surface  <b>G</b> = gold-plated  <b>Z</b> = tin-plated</p>	

contact spring: gold-plated

Sockets for power transistors TO 3

	
<p>art. no.</p>	<p>no. of contacts</p>
<p>TF 3 2</p>	<p>3</p>

insulator: polyamide glassfibre filled

contact: special bronze 2 μm Ni, 0.5 μm Au

Technical data:

current rating: 5 A max.

capacitance: 1 pF

contact resistance: 10 mΩ

insulation resistance: 10<sup>14</sup> Ω

temperature range: -55 °C ... +160 °C

Single contacts metal strip  
 Sockets/stamped contact spring  
 Technical data  
 Teflon sockets/TO 5 & TO 18

→ G 28  
 → F 31  
 → F 39 - 42  
 → F 29 - 30

Special DIL sockets  
 DIL platform adapters & cases  
 Connector-sleeves  
 Jumper links

→ F 12  
 → F 16 - 17  
 → F 34 - 36  
 → F 33