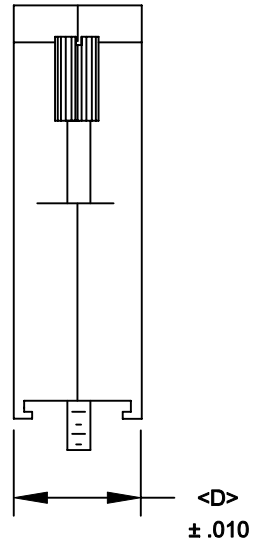
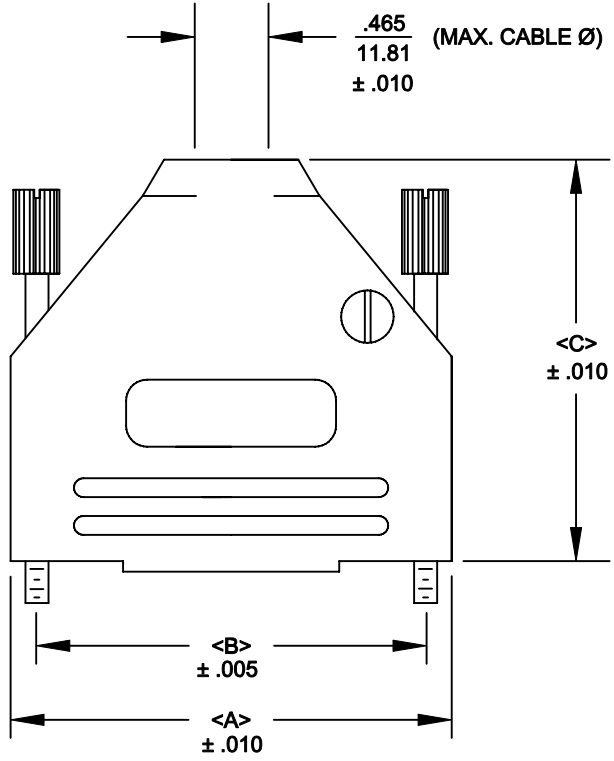


DESCRIPTION: 970 SERIES D-SUB BACKSHELL

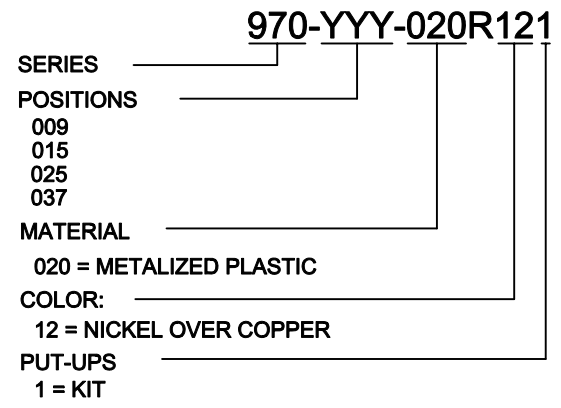
BACKSHELL KIT INCLUDES:

- (2) BACKSHELL HALVES
- (2) 4-40 THUMBSCREWS
- (2) HOUSING SCREWS
- (1) SET OF COMPRESSION INSERTS-VARIOUS SIZES

PLASTIC: ABS VH-0800 - NICKEL PLATED - UL94V-0
 JACKSCREWS: STEEL
 M3 HOODSCREWS: STEEL
 COMPRESSION INSERT: ABS UL 94V-0
 M3 NUT: STEEL
 OPERATING TEMP: - 30°C TO + 90°C



POS.	A	B	C	D
9	1.228 31.19	.984 24.99	1.571 39.90	.590 14.99
15	1.555 39.50	1.312 33.32	1.534 38.96	.590 14.99
25	2.102 53.39	1.852 47.04	1.913 48.59	.590 14.99
37	2.744 69.70	2.500 63.50	2.110 53.59	.590 14.99



RoHS COMPLIANT

	THESE DRAWINGS AND SPECIFICATIONS ARE THE PROPERTY OF NorComp AND SHALL NOT BE REPRODUCED, COPIED OR USED AS THE BASIS FOR THE MANUFACTURE OR SALE OF APPARATUS WITHOUT WRITTEN PERMISSION.		DRAWN: PAM JENKINS	DATE: 6-9-05
			CHECKED:	DATE:
NorComp		SCALE	SHEET 1 OF 1	REV 4
		DWG NO. 970 YYY-020R121		