

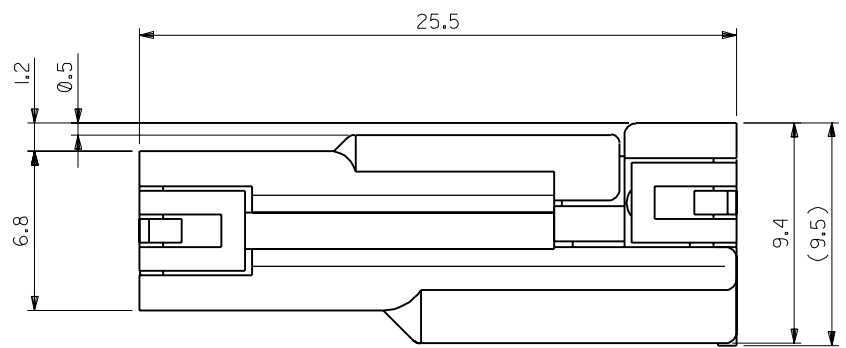
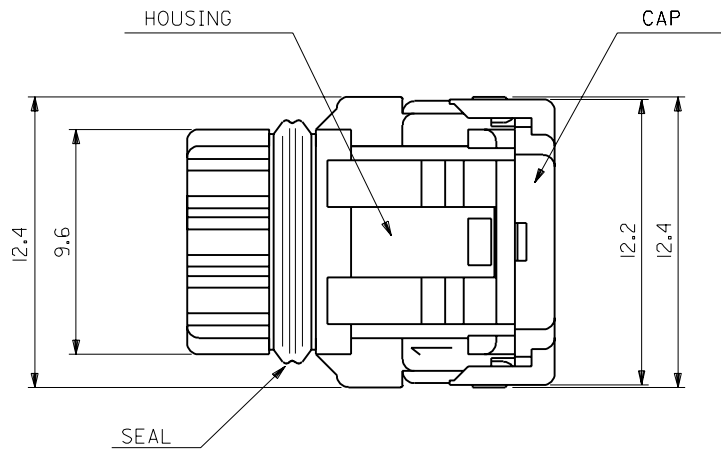
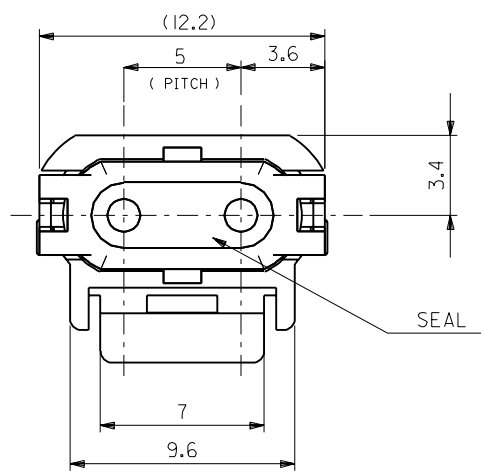
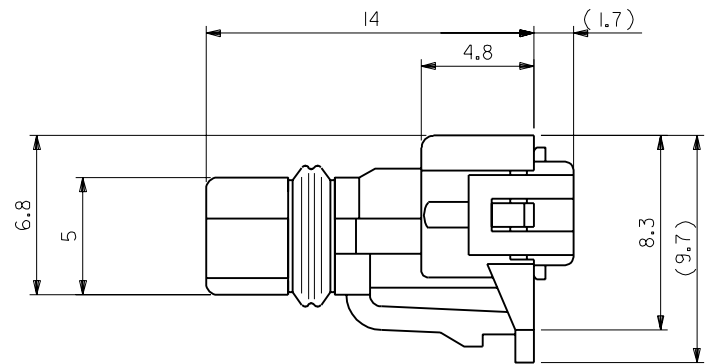
嵌合状態図
FULLY MATED CONDITION

NOTE

- 適合ターミナル: 50039-8*00
APPLICABLE TERMINAL : 50039-8*00
- 材料
MATERIAL
キャップ: ポリエステル (ガラス15%含有)
CAP: POLYESTER(15% GF)
ハウジング: ポリエステル (ガラス15%含有)
HOUSING: POLYESTER(15% GF)
シール: シリコンゴム
SEAL: SILICONE RUBBER
- 嵌合相手: 52116-02**
MATE WITH: 52116-02**
- 表の色はハウジング色を表す。
HOUSING COLOR IS SHOWN IN CHART
- ELV及びRoHS適合品
ELV AND RoHS COMPLIANT

AVSS0.3, AWG#20-22	白 WHITE	52117-0243
AVS0.3, AWG#20-22	赤 RED	52117-0242
AVS0.3, AWG#20-22	黒 BLACK	52117-0241
AVS0.3, AWG#20-22	白 WHITE	52117-0240
適用電線範囲 APPLICABLE WIRE RANGE	色 COLOR	ENG. NO.

REVISED & REDRAWN EC NO: JTR2009-0017 DRWN: T. IIDA01 2008/07/23 CHKD: TAITO 2008/07/23 APPR: AKAMESHI GE 2008/07/23	GENERAL TOLERANCES (UNLESS SPECIFIED)		DIMENSION STYLE MM ONLY		SCALE 5:1	DESIGN UNITS METRIC	THIRD ANGLE PROJECTION	
	10 UNDER	±0.2	DRAWN BY Y. ASHIZAWA	DATE 1988/7/8	TITLE 2.5 SPLASH PROOF CONN. REC. HSG ASSY W/POSITIVE LOCK			
	10 OVER 30 UNDER	±0.25	CHECKED BY M. SAKANO	DATE 1988/7/8				
	30 OVER	±0.3	APPROVED BY M. ENOMOTO	DATE 1988/7/8	MOLEX INCORPORATED			
	ANGULAR ±3 °		MATERIAL NO.	DOCUMENT NO.				
DRAFT WHERE APPLICABLE MUST REMAIN WITHIN DIMENSIONS		SEE CHART		SD-52117-02**				
THIS DRAWING CONTAINS INFORMATION THAT IS PROPRIETARY TO MOLEX INCORPORATED AND SHOULD NOT BE USED WITHOUT WRITTEN PERMISSION								



FULLY MATED CONDITION

AVS0.3, AWG#20-22	RED	52117-0242
AVS0.3, AWG#20-22	BLACK	52117-0241
AVS0.3, AWG#20-22	WHITE	52117-0240
WIRE RANGE	COLOR	ENG. NO.

- NOTES**
- ACCEPTS CRIMP TERMINAL:50039-8*00
 - MATE'L:
 - CAP ;POLYESTER(I5%G.F.)
 - HOUSING;POLYESTER(I5%G.F.)
 - SEAL ;SILICONE
 - MATES WITH:52116-02**
 - COLOR IN THE CHART INDICATES HOUSING COLOR

角度 ANGLE	±3°				
30以上 OVER	+0.3	A	REVISED (J90218)	1.0	3/17/89
10以上 30未滿 UNDER	+0.25	0	RELEASED (J80600)	1.0	7/8/88
10未滿 UNDER	+0.2	記号 LTR	変更内容 REVISION RECORD	DR. CHK.	日付 DATE
一般公差 GENERAL TOLERANCES		REVISE ONLY ON CAD SYSTEM			

材料 MATERIAL	SEE NOTES	molex MOLEX-JAPAN CO.,LTD. 日本モレックス株式会社	
仕上げ FINISH	//	EDP. NO.	//
適用電線範囲 WIRE RANGE	SEE CHART	ENG. NO.	SD-52117-02**
被覆外径 INS. RANGE	φ 1.8-1.9	REV A	
DRAWN BY 7/8/88 Y.ASHIZAWA	CHK'D BY M.SAKANO	TITLE 名称 2.5 SPLASH PROOF CONN. REC. HS'G ASS'Y W/POSITIVE LOCK	
APP'D BY M.ENOMOTO	尺 度 SCALE 5-1		