

BZG1-2RN2

DRAWING NUMBER

ISSUE

8

REPLACES

RELEASE NO. PR-1341

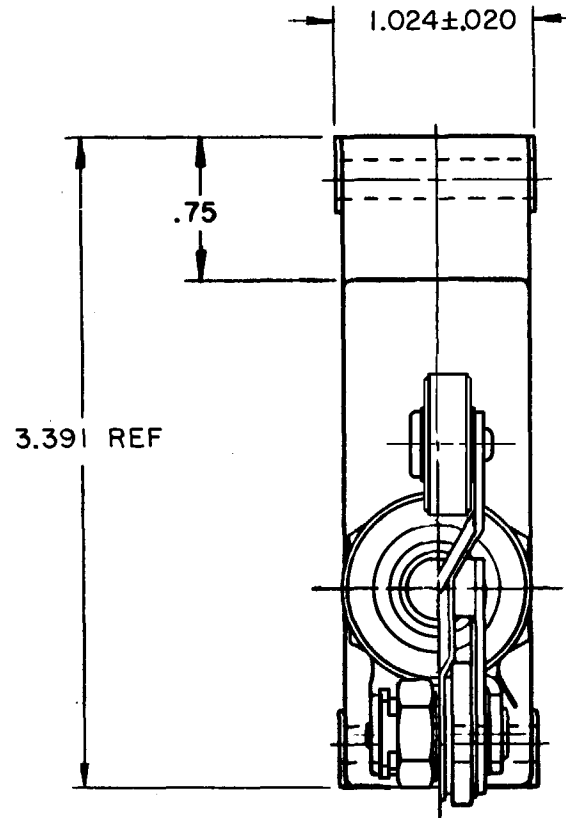
CHECK

REVISIONS

A	PR-1341	RE R	17	JUL 70
B	C028612	M B S	11	FEB 71
C	C037675	K P K	23	SEP 76
D	CO 55989	WJM	1	NOV 84
E	C072977	G J W	8	AUG 92
F	CO 77179-C	MAM	12	MAR 94
G	C081513B	J A K	11	MAR 97

FORMTEK

DRAWN



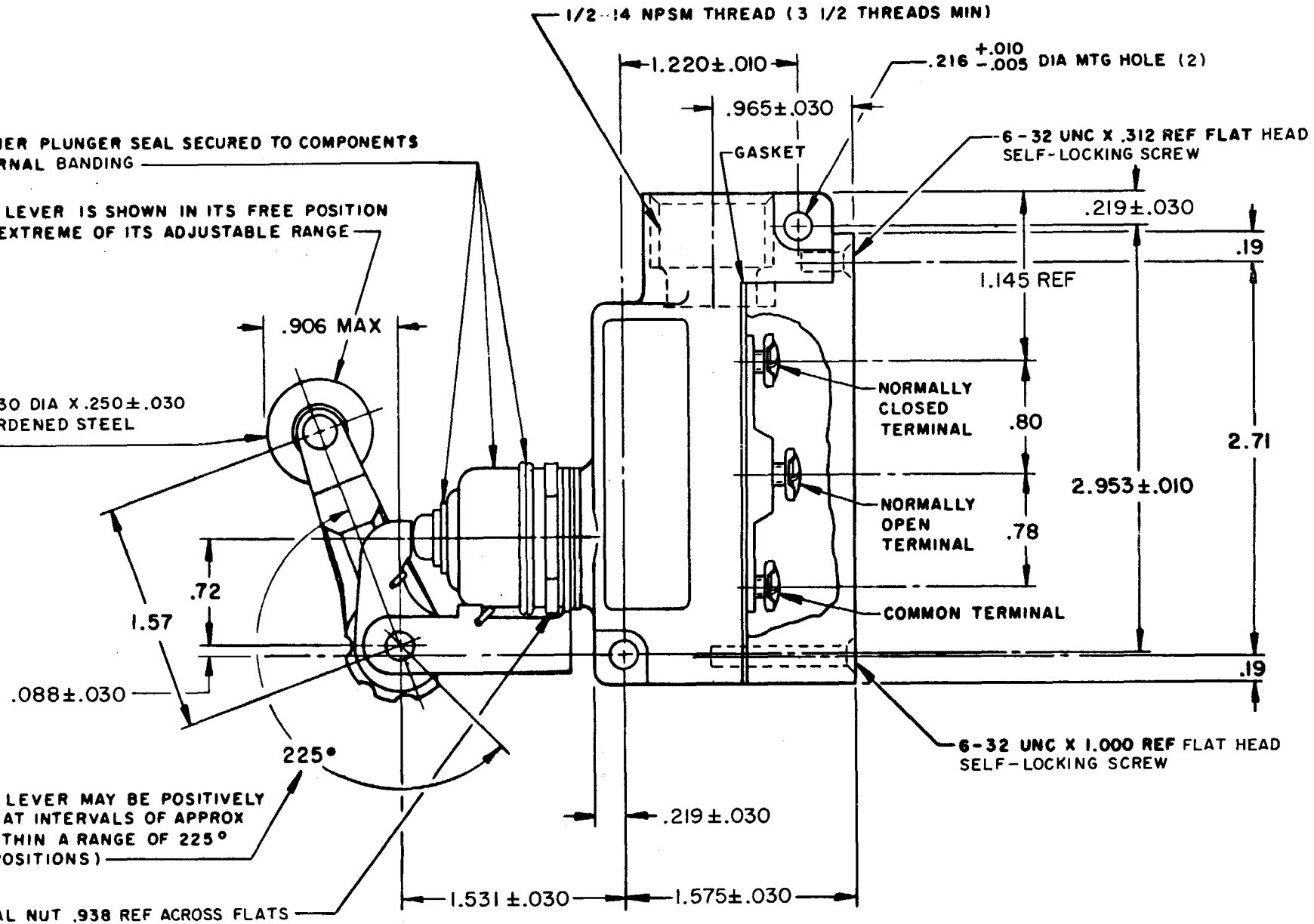
ELASTOMER PLUNGER SEAL SECURED TO COMPONENTS BY EXTERNAL BANDING

ROLLER LEVER IS SHOWN IN ITS FREE POSITION AT ONE EXTREME OF ITS ADJUSTABLE RANGE

.750 ± .030 DIA X .250 ± .030 WIDE HARDENED STEEL ROLLER

ROLLER LEVER MAY BE POSITIVELY LOCKED AT INTERVALS OF APPROX 0.2° WITHIN A RANGE OF 225° (1238 POSITIONS)

HEX SEAL NUT .938 REF ACROSS FLATS



THIS DRAWING COVERS A PROPRIETARY ITEM AND IS THE PROPERTY OF MICRO SWITCH, A DIVISION OF MINNEAPOLIS-HONEYWELL REGULATOR CO. THIS DRAWING IS NOT TO BE COPIED OR USED WITHOUT THE APPROVAL OF MICRO SWITCH.

CHARACTERISTICS	ELECTRICAL DATA	SCALE FULL
OPERATING FORCE ----- 10-20 OZ	CONTACT ARRANGEMENT S P D T	DO NOT SCALE PRINT
RELEASE FORCE ----- 6 OZ MIN	15A-125, 250 OR 480 VAC, 2A-600 VAC 1/8HP-125 VAC; 1/4HP-250 VAC CODE L74 1/2A-125 VDC; 1/4A-250 VDC RU	UNLESS OTHERWISE NOTED
PRETRAVEL ----- .188 MAX		DIMENSIONS ARE IN INCHES
DIFFERENTIAL TRAVEL ----- .006 MAX		TOLERANCES ARE:
OVERTRAVEL ----- .219 MIN		ONE PLACE (.0) ± .030 TWO PLACE (.00) ± .015 THREE PLACE (.000) ± .008 ANGLES ±
SWITCH-BASIC REPLACEMENT --- BZ-2RN702		WEIGHT

- NOTES**
- 6-32 UNC X .219 REF BINDING HEAD TERMINAL SCREW AND CUPWASHER (3)
 - ROLLER LEVER BRACKET ASSEMBLY MAY BE SET AT ANY POSITION AROUND AXIS OF PLUNGER