



10.00mm (.394") Pitch

Beau Eurostyle®  
Terminal Strip

39400

Two Screw, Terminal Strip



C40 Series

**FEATURES AND SPECIFICATIONS**

**Features and Benefits**

- Modular design can be cut into smaller sections
- Dead front construction
- Captive wire protectors (option)

**Electrical**

Voltage: 300V  
Maximum Current: 16 Amp  
Insulation Resistance: >3 x 10<sup>12</sup> Megaohms

**Mechanical**

Tightening Torque: 5 in-lbs., .57 Nm  
Operating Temperature: 105°C

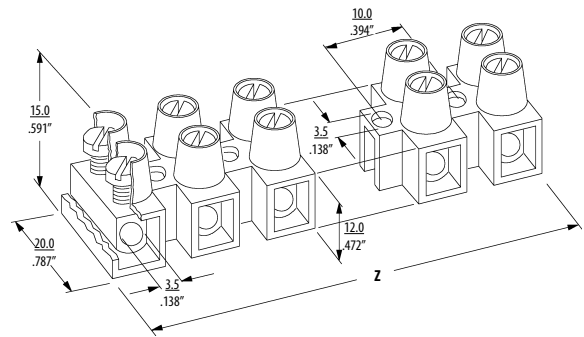
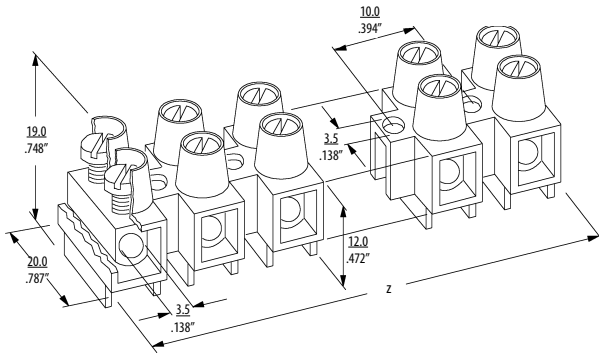
**Physical**

Housing: Nylon 6.6, UL94 V-2, white  
Contacts: Brass, chemically tinned  
Wire Protector: 18/18 stainless band steel  
Screws: Steel  
Screw Plating: Zinc  
Terminals: Brass  
Terminal Plating: Nickel  
Wire Range: 10 to 18 AWG, 4 to 0.75mm<sup>2</sup>

**Reference Information**

UL : File No. E82573  
Guide No. XCFR2  
CSA: File No. 025562

**CATALOG DRAWING (FOR REFERENCE ONLY)**



**ORDERING INFORMATION AND DIMENSIONS**

Part Numbers - With Standoffs				# of Circuits	Dimensions Z	
No Wire Protector		Wire Protector			in	mm
Order #	Engineering #	Order #	Engineering #			
39400-0102	C4002	39400-0302	C4002-401	2	.65	16.5
39400-0103	C4003	39400-0303	C4003-401	3	1.04	26.5
39400-0104	C4004	39400-0304	C4004-401	4	1.44	36.5
39400-0105	C4005	39400-0305	C4005-401	5	1.83	46.5
39400-0106	C4006	39400-0306	C4006-401	6	2.22	56.5
39400-0107	C4007	39400-0307	C4007-401	7	2.62	66.5
39400-0108	C4008	39400-0308	C4008-401	8	3.01	76.5
39400-0109	C4009	39400-0309	C4009-401	9	3.41	86.5
39400-0110	C4010	39400-0310	C4010-401	10	3.80	96.5
39400-0111	C4011	39400-0311	C4011-401	11	4.19	106.5
39400-0112	C4012	39400-0312	C4012-401	12	4.59	116.5

Part Numbers - Low Profile				# of Circuits	Dimensions Z	
No Wire Protector		Wire Protector			in	mm
Order #	Engineering #	Order #	Engineering #			
39400-0202	C4002-L	39400-0402	C4002-L-401	2	.65	16.5
39400-0203	C4003-L	39400-0403	C4003-L-401	3	1.04	26.5
39400-0204	C4004-L	39400-0404	C4004-L-401	4	1.44	36.5
39400-0205	C4005-L	39400-0405	C4005-L-401	5	1.83	46.5
39400-0206	C4006-L	39400-0406	C4006-L-401	6	2.22	56.5
39400-0207	C4007-L	39400-0407	C4007-L-401	7	2.62	66.5
39400-0208	C4008-L	39400-0408	C4008-L-401	8	3.01	76.5
39400-0209	C4009-L	39400-0409	C4009-L-401	9	3.41	86.5
39400-0210	C4010-L	39400-0410	C4010-L-401	10	3.80	96.5
39400-0211	C4011-L	39400-0411	C4011-L-401	11	4.19	106.5
39400-0212	C4012-L	39400-0412	C4012-L-401	12	4.59	116.5

Molex Industrial Division  
New England Operations  
Gilford, NH 03249-6600  
Phone (603) 524-5101  
Fax (603) 524-1627