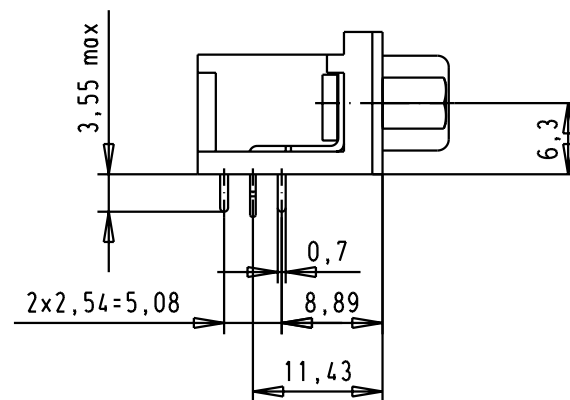
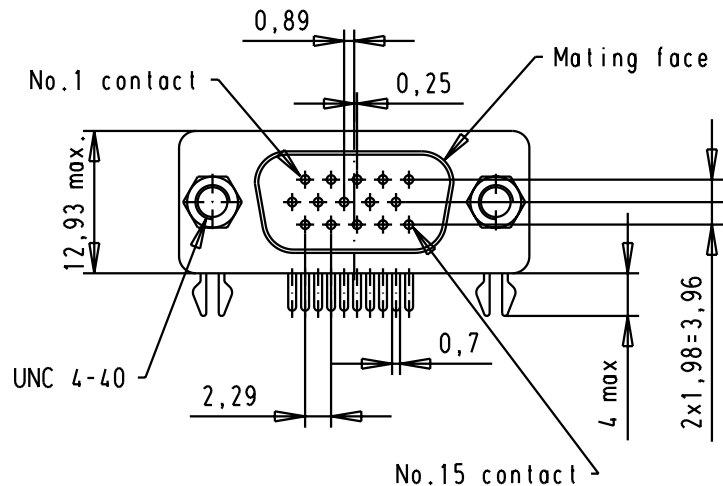
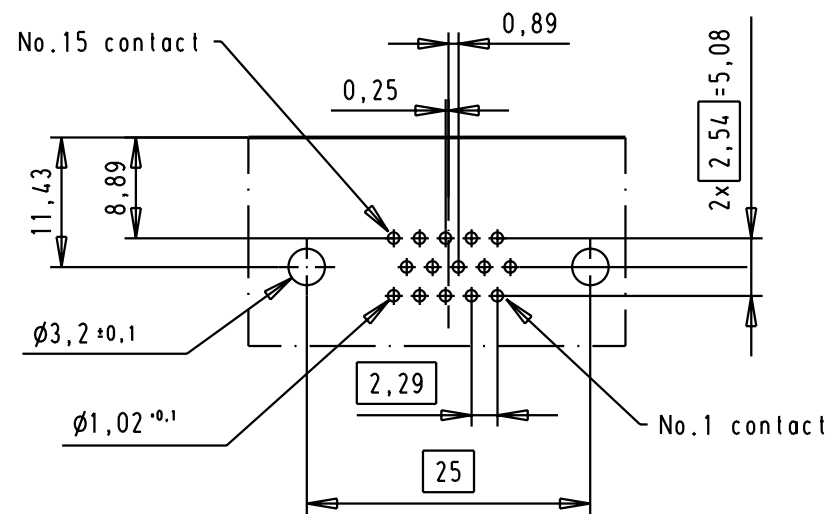
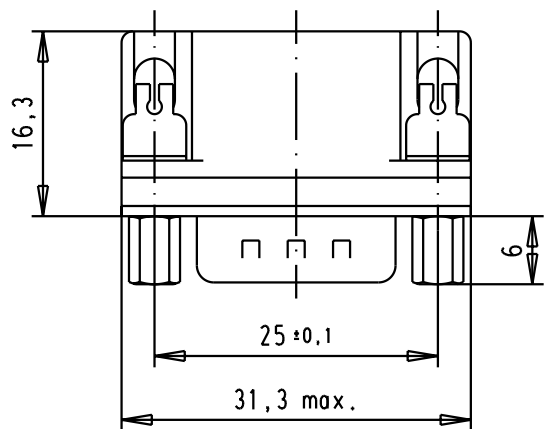


5 4 3 2 1



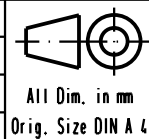
Printed board layout, component side



A

			Mod.	Dat.	Name
09561625813	0.76 μm Au		31485	16-04-03	S.H.
09561627813	3		31352	16-OCT-02	S.H.
Part number	Performance level		31064	16-SEP-02	CV

	Dat.	Name
Detail.	16-SEP-02	CV
Insp.		
Stand.		



D-Sub, Male, High density, 15 poles, angled, with screw lock and board lock

Maßstab/
Scale
1.5:1

HARTING EURL
F-95972 Paris



TB 0956162x813
Sub.

Blatt/ Page
1