

Hobbs Corporation

www.hobbs-corp.com

**SWITCHES
CONTROLS
KEY SWITCHES
HOUR METERS
LIGHTING
CUSTOM
ELECTRONIC
ELECTRO-MECHANICAL**



invensys

An Invensys company



HALOGEN HEAVY-DUTY AND COMPOSITE OFF HIGHWAY LAMPS



Hobbs has manufactured more than 20 million incandescent and halogen lamps for use in some of the most rugged working environments imaginable. Because they're designed for use in heavy construction and farming equipment, they're also designed to take shock, vibration and other extreme service conditions in stride. The Hobbs line of lamps

include a wide variety of types and sizes, with a complete selection of beam patterns and mounting configurations available to suit almost any off-road application. Our halogen sealed beam lamps have earned the reputation of being one of the most reliable heavy duty lighting products made.



- Halogen Swivel Mount Lampsp.3
- Other Halogen Lamps with Various Mounting Stylesp.4
- Ball & Socket Mount Lampsp.4
- Sealed Beam Replacementsp.5
- Composite Halogen Lightsp.6
- Halogen Marine Lampsp.7

HALOGEN SWIVEL MOUNT LAMPS

Hobbs offers a full line of heavy-duty halogen off-highway vehicle lamps to keep equipment moving long after the sun has set. Our halogen lamp housings are constructed of durable, vibration resistant materials. The securing hardware is zinc plated steel with a black dichromate coating. Reflectors are vacuum metalized. The borosilicate glass lenses are highly resistant to cracking, especially when subjected to extreme temperature changes.

Wattages available:

12 Volt 3x5 version--

- 35W
- 35/35W
- 50W

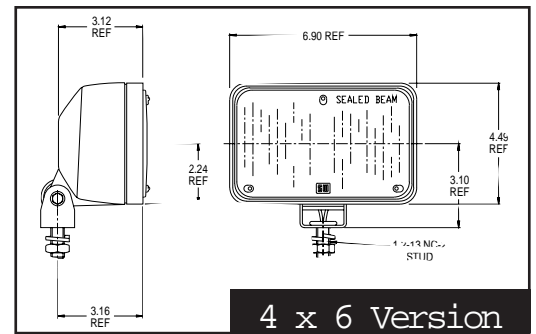
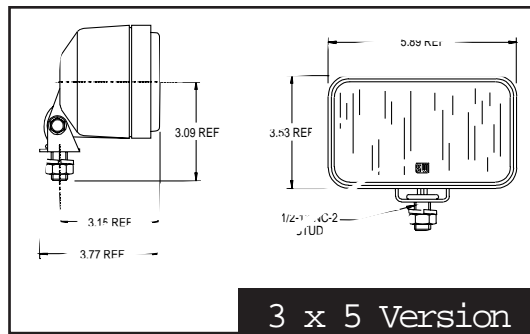
12 Volt 4x6 version--

- 35W
- 35/65W
- 50W
- 60W

24 Volt 4x6 version--

- 60W

- Optional stainless steel hardware available
- Various terminations available per customer's request.



Extended Eyebrow Version

This lamp is designed for mounting on the top of a cab (stud up) or on a fender (stud down). The extended eyebrow version of this lamp reduces the amount of glare on the cab windows. The sturdy steel bracket permits easy adjustments of direction.

Size	Rated Voltage	Wattage	Beam Pattern	Termination	Part #
3x5	12V	35W	Wide Flood 80°x30°	Hollow Stud (2) 6" Wires	73766
3x5	12V	35W	Narrow Flood 55°x30°		73767
3x5	12V	35W	Trap 35°x35°		73768
3x5	12V	35W	Spot		73764
3x5	12V	50W	Wide Flood 80°x30°		73761
3x5	12V	50W	Narrow Flood 55°x30°		73762
3x5	12V	50W	Trap 35°x35°		73763
3x5	12V	50W	Spot		73764
4x6	12V	50W	Wide Flood 80°x30°		71898
4x6	12V	50W	Narrow Flood 55°x30°		74001
4x6	12V	50W	Trap 35°x35°		71915
4x6	12V	50W	Spot		71902
4x6	12V	35/65W	Hi/Lo Driving		75237
4x6	24V	60W	Wide Flood 80°x30°		72540
4x6	24V	60W	Narrow Flood 55°x30°	75109	
4x6	24V	60W	Trap 35°x35°	72542	
4x6	24V	60W	Spot	72544	

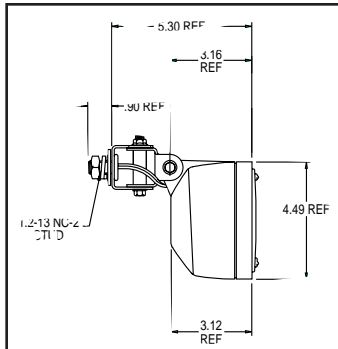
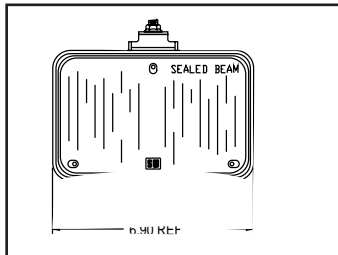
hbs Corporation

P.O. Box 19424, Springfield, Illinois 62794-9424
Phone: (217) 753-7793, Fax: (217) 753-7789



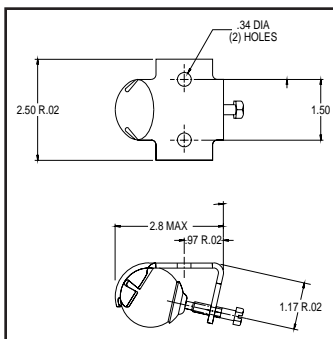
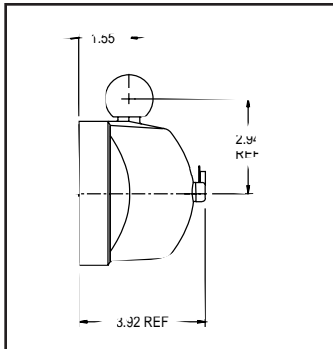
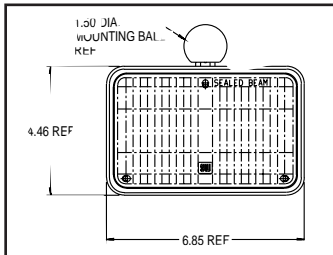
UNIVERSAL MOUNT

With this versatile mounting the entire assembly can be secured to a surface at any angle, and then smoothly adjusted in almost any direction. It is especially effective when placed on a vertical surface.



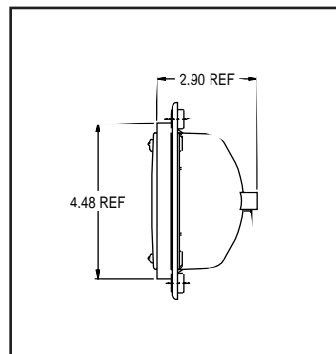
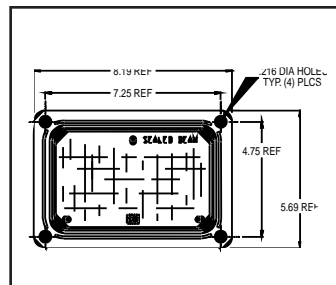
BALL & SOCKET MOUNT *

This over-hang mounting style is ideal for use where it is important to avoid glare on the glass of the cab. The unique ball and socket design also allows a



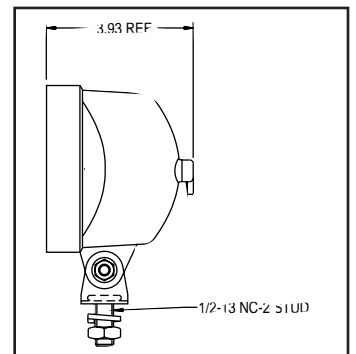
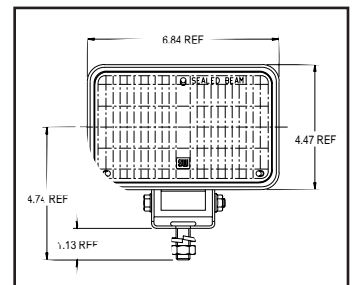
FLUSH MOUNT

The flush mounted design is ideal where clearance might be a problem. The fixed mounting offers the benefits of consistent lighting direction and spatial conservation. It is especially well suited for installation in grilles,



ONE PIECE SWIVEL MOUNT *

This lamp is similar to the standard swivel mount in that it is designed for cab-top or fender placement. The one-piece design is an economical alternative to the replacement sealed



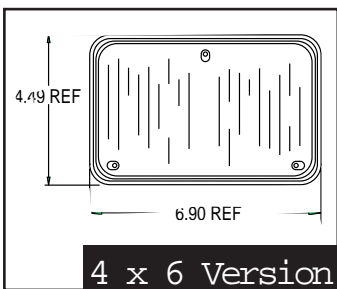
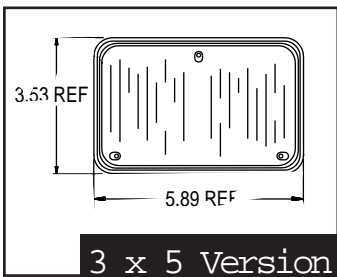
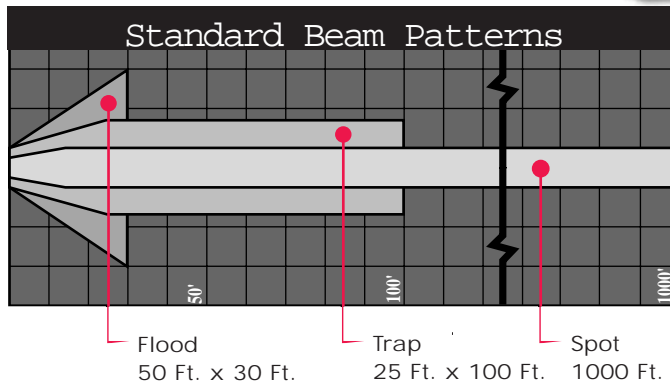
*AVAILABLE IN 4 X 6 VERSIONS ONLY

ihc Corporation

P.O. Box 19424, Springfield, Illinois 62794-9424
Phone: (217) 753-7793, Fax: (217) 753-7789

SEALED BEAM REPLACEMENTS

Replacement sealed beams are offered in both 3" x 5" and 4" x 6" rectangular size lenses. These are designed with the same rugged construction as the originals and meet the same demanding standards. These lamps are also designed to withstand tough environmental conditions, such as sudden temperature change, shock, and intense vibration.



Size	Rated Voltage	Wattage	Beam Pattern	Current	Part #
3x5	12V	35W	Wide Flood 80°x30°	3Amp	73214
3x5	12V	35W	Narrow Flood 55°x30°	3Amp	75782
3x5	12V	35W	Trap 35°x35°	3Amp	73379
3x5	12V	35W	Spot	3Amp	73807
3x5	12V	50W	Wide Flood 80°x30°	4Amp	72408
3x5	12V	50W	Narrow Flood 55°x30°	4Amp	72573
3x5	12V	50W	Trap 35°x35°	4Amp	72801
3x5	12V	50W	Spot	4Amp	73804
4x6	12V	50W	Wide Flood 80°x30°	4Amp	71017
4x6	12V	50W	Narrow Flood 55°x30°	4Amp	71791
4x6	12V	50W	Trap 35°x35°	4Amp	71792
4x6	12V	50W	Spot	4Amp	71794
4x6	12V	35/65W	Hi/Lo Driving	3/5Amp	75251
4x6	24V	60W	Wide Flood 80°x30°	3Amp	72541
4x6	24V	60W	Narrow Flood 55°x30°	3Amp	78856
4x6	24V	60W	Trap 35°x35°	3Amp	72543
4x6	24V	60W	Spot	3Amp	72545

ihc Corporation

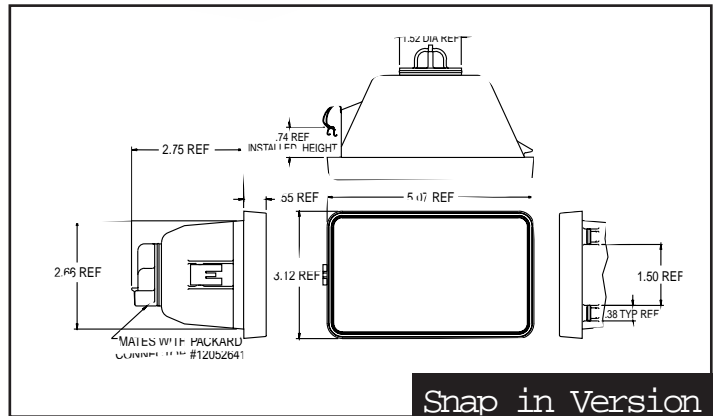
P.O. Box 19424, Springfield, Illinois 62794-9424
 Phone: (217) 753-7793, Fax: (217) 753-7789

COMPOSITE HALOGEN LIGHTS

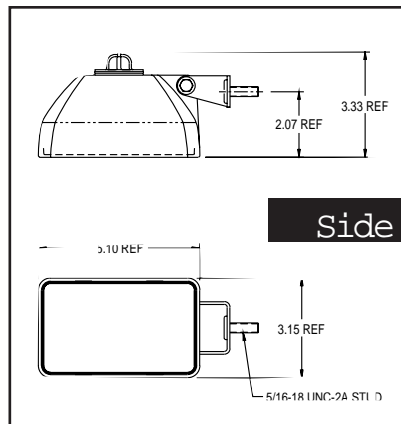
Hobbs Composites combine the major features of our Sealed Beam light with the desirable features of a composite light. The result is a light that provides the durability and life that is expected of Hobbs components.

Composite Halogen lights differ from Sealed Beam lights in that the burner is replaceable. Hobbs Composites use the same halogen burners that are used in our Sealed Beam lights. Advantages such as interchangeable parts, custom housings and beam patterns, and fewer parts to inventory make composites attractive. Reliability is proven since all lights must pass the same rigorous test procedures as our sealed beam halogen lights. Other features include:

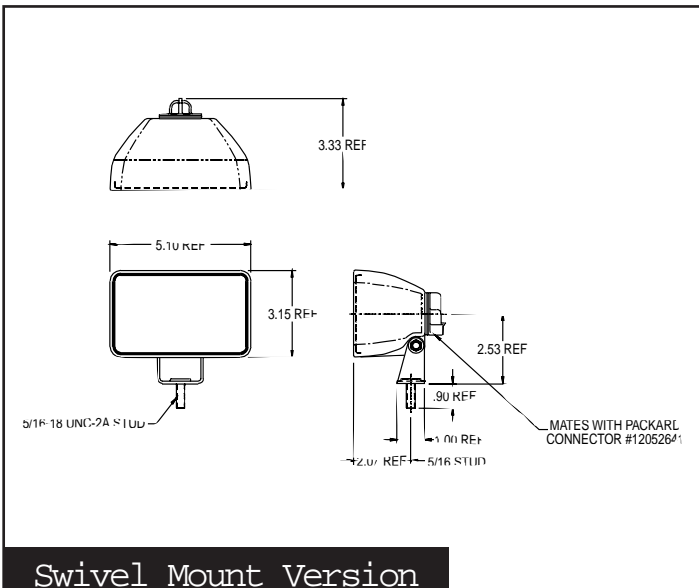
- Single and Hi/Low Beam Pattern options
- Environmental Seal comparable to "Sealed Beam" Lights
- Highly Efficient Reflectors to produce more usable light
- Unique Replacement Burner Assembly to withstand shock & vibration
- Three Standard Mounting Options including a Snap-in Design
- Lighter & Smaller than the 3 x 5 Sealed Beam
- Various wattage burners up to 50 watts available
- Integral Packard Connector for easy assembly



Snap in Version



Side Mount Version



Swivel Mount Version

hbs Corporation

P.O. Box 19424, Springfield, Illinois 62794-9424
 Phone: (217) 753-7793, Fax: (217) 753-7789

HALOGEN MARINE LAMPS

Hobbs marine lamps are completely weatherproof. They are totally sealed against moisture ingress, and the mounting hardware is stainless steel to prevent rust and corrosion. The housing is shock resistant and can withstand up to 6 G's vibration. Both flood and spot versions are available to meet your lighting requirements. The flood pattern illuminates an area 80° wide by 30° long and the spot pattern projects a narrow beam of light up to 1000'.

Possible 4 x 6 applications include:

- Shrimp & fishing boats
- Off-shore oil rigs
- Ocean vessels
- Barges
- Dry dock lighting
- Freighters, tankers, etc.
- Pleasure craft
- Anywhere a corrosion resistant lamp is needed

Possible 3 x 5 applications include:

- Engine compartment lighting
- Deck lighting
- Emergency lighting
- Launching and docking
- Spreader lights



Rectangular Marine Lamps (4 x 6)

Rated Voltage	Wattage	Mounting	Beam Pattern	Current	Part #
12V	50W	Flush	Flood 80°x30°	4Amp	72656
12V	50W	Flush	Spot	4Amp	72715
12V	50W	Stud	Flood 80°x30°	4Amp	71723
12V	50W	Stud	Spot	4Amp	72716
24V	60W	Flush	Flood 80°x30°	3Amp	72666
24V	60W	Flush	Spot	3Amp	72717
24V	60W	Stud	Flood 80°x30°	3Amp	72530
24V	60W	Stud	Spot	3Amp	72718

Sealed Beam Replacements (4 x 6)

Rated Voltage	Wattage	Beam Pattern	Current	Part #
12V	50W	Flood 80°x30°	4Amp	72108
12V	50W	Spot	4Amp	72719
24V	60W	Flood 80°x30°	3Amp	72728
24V	60W	Spot	3Amp	72720

Rectangular Marine Lamps (3 x 5 - includes spreader bracket)

Rated Voltage	Wattage	Mounting	Beam Pattern	Current	Part #
12V	50W	Stud	Flood 80°x30°	4Amp	73620

Sealed Beam Replacements (3 x 5)

Rated Voltage	Wattage	Beam Pattern	Current	Part #
12V	50W	Flood 80°x30°	4Amp	74041

Refer to:

- Page 3 for lamp dimensions
- Page 5 for Sealed Beam Replacement dimensions



3 x 5 version with Spreader Bracket

hbs Corporation

P.O. Box 19424, Springfield, Illinois 62794-9424
Phone: (217) 753-7793, Fax: (217) 753-7789

CUSTOM LIGHTING PRODUCTS

Hobbs has become an essential source for reliable electro-mechanical and diversified components throughout the world. A major reason for this is the close relationships developed between the customer and Hobbs. Because of these established relationships, many customers have asked us to develop products beyond our existing product line. Hobbs lighting products have broadened extensively in recent years and many new concepts are being evaluated for the future.

If you have lighting specifications that are not covered in our existing line, such as unique shapes, sizes, fit, or finishes, please contact us now so we can begin evaluating your requirements.

QUALITY SYSTEMS

It is the goal of Hobbs Corporation to meet customer value-needs through continuously improved products and processes. That is the basis by which Hobbs works to create a partnership with its customers. Evidence of commitment to our customers is provided by our goal of a Shipped Product Quality Level (SPQL) of 200 ppm. Hobbs operates a quality management system which complies with the requirements of ISO9001 and QS9000.



www.hobbs-corp.com

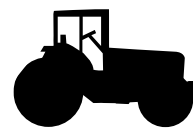
HOBBS DESIGNS AND MANUFACTURES CUSTOM LAMPS FOR A VARIETY OF CUSTOMERS AND VEHICLES SUCH AS:



ATV



SKID STEER



TRACTOR



SNOWMOBILE



BACKHOE



SWEeper



GOLF CART



COMBINE



LAWN TRACTOR



WHEEL LOADER



LIFT TRUCK



MAN LIFT

Hobbs Corporation

P.O. Box 19424

Springfield, Illinois 62794-9424

Phone: (217) 753-7793

Fax: (217) 753-7789

email: hobbs.marketing@hobbs-corp.com

50 - 1196