

4

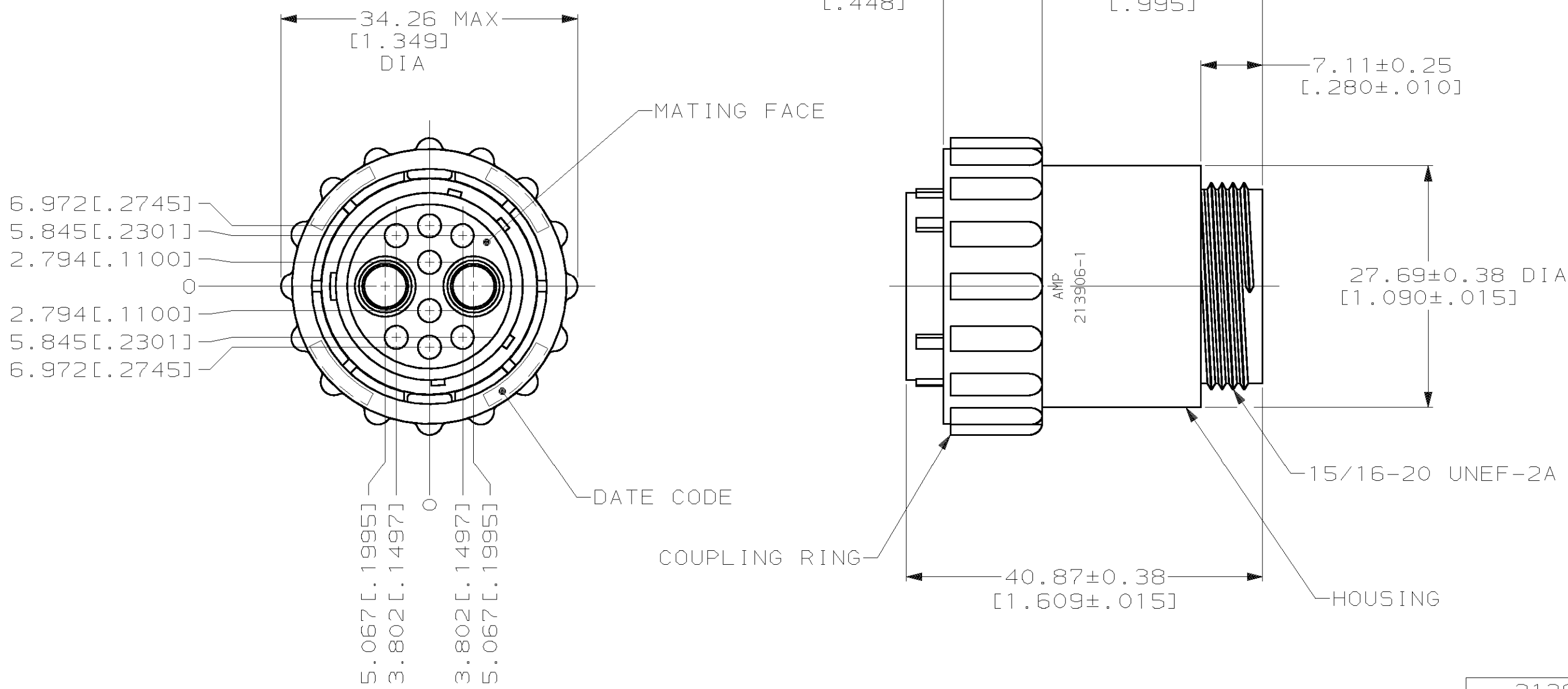
3

2

1

THIS DRAWING IS UNPUBLISHED. RELEASED FOR PUBLICATION ,19 .  
 © COPYRIGHT 19 BY AMP INCORPORATED. ALL RIGHTS RESERVED.

| LOC | DIST | REVISIONS   |                             |         |       |
|-----|------|-------------|-----------------------------|---------|-------|
| P   | LTR  | DESCRIPTION | DATE                        | DWN     | APVD  |
| FT  | 0    | D           | REVISE PER ECN 0G3B-0292-00 | 14JUL00 | SU MC |



213906-1  
PART NUMBER

1 HOUSING: GLASS FILLED NYLON, 6/6, BLACK  
 COUPLING RING: POLYESTER, BLACK

|   |  |                         |  |
|---|--|-------------------------|--|
| THIS DRAWING IS A CONTROLLED DOCUMENT FOR AMP INCORPORATED. IT IS SUBJECT TO CHANGE AND THE CONTROLLING ENGINEERING ORGANIZATION SHOULD BE CONTACTED FOR THE LATEST REVISION. |  | DWN D.HARDY 07/04/95    | <b>AMP</b> AMP Incorporated<br>Harrisburg, PA 17105-3608                           |
| DIMENSIONS:<br>mm [INCHES]  |  | CHK W.G.LENKER 07/05/95 |  |
| TOLERANCES UNLESS OTHERWISE SPECIFIED:<br>0 PLC ±-<br>1 PLC ±-<br>2 PLC ±0.13 [.005]<br>3 PLC ±0.013 [.0005]<br>4 PLC ±-<br>ANGLES ±-   |  | APVD A.FRANTUM 07/05/95 | NAME PLUG ASSEMBLY,<br>REVERSE SEX, 17-10, SERIES 6,<br>CIRCULAR PLASTIC CONNECTOR |
| MATERIAL 1  |  | PRODUCT SPEC -          | SIZE A3  |
| FINISH -  |  | APPLICATION SPEC -      | CAGE CODE 00779  |
|   |  | WEIGHT -                | DRAWING NO C-213906  |
|   |  | CUSTOMER DRAWING        | SCALE 2:1 SHEET 1 OF 1 REV D   |