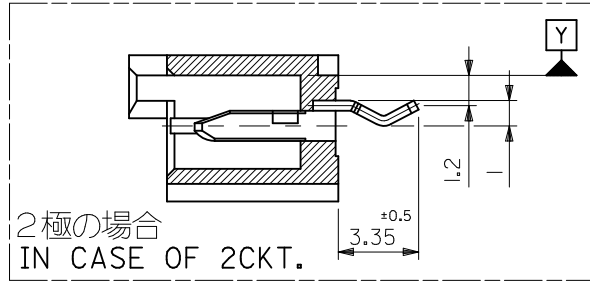
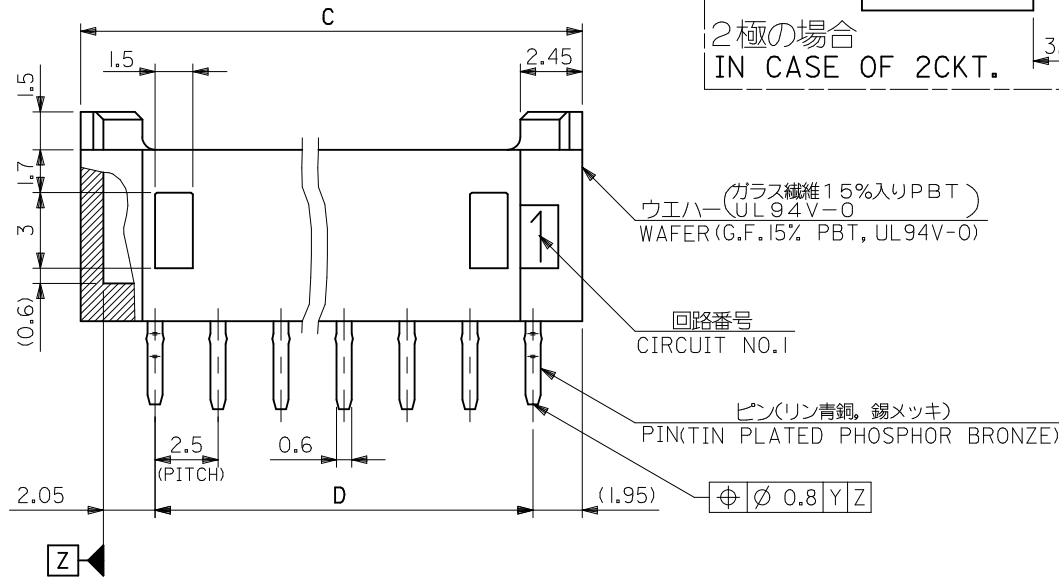


基板取付穴推奨寸法
RECOMMENDED P.C.B.HOLE DIMENSIONS



2極の場合
IN CASE OF 2CKT.



35	39.9	38.1	35	53052-1510	15
15	19.9	18.1	15	-0710	7
12.5	17.4	15.6	12.5	-0610	6
5	9.9	8.1	5	-0310	3
2.5	7.4	5.6	2.5	53052-0210	2
D	C	B	A	オーダー番号 ORDER NO.	極数 CIRCUIT

CONNECTOR SERIES NO. 53052-**10

注記
NOTES

- 嵌合相手: 51024-**00
MATES WITH: 51024-**00
- キングは両端のソルダーテールのみとする。
KINK TO BE APPLIED FOR THE BOTH END OF TERMINAL

REVISED EC NO.: J2010-1406 DRW: NAKATA CHKD: JMARONEY APP: MYAGI	2010/01/12	2010/01/12	2010/01/12	DESCRIPTION	GENERAL TOLERANCES (UNLESS SPECIFIED)		DIMENSION STYLE MM ONLY		SCALE 5:1	DESIGN UNITS METRIC	THIRD ANGLE PROJECTION	
	10 UNDER	±0.2	DRAWN BY NNISHI		DATE 2009/08/25		TITLE 2.5 LOW PROFILE WAFER ASSY WITH KINK					
	10 OVER 30 UNDER	±0.25	CHECKED BY NMATSUURA		DATE 2009/08/25		MATERIAL NO. SEE TABLE					
	30 OVER	±0.3	APPROVED BY KMORIKAWA		DATE 2009/08/25		DOCUMENT NO. SD-53052-001					
REV					ANGULAR	±3 °	SIZE A3		THIS DRAWING CONTAINS INFORMATION THAT IS PROPRIETARY TO MOLEX INCORPORATED AND SHOULD NOT BE USED WITHOUT WRITTEN PERMISSION			
					DRAFT WHERE APPLICABLE MUST REMAIN WITHIN DIMENSIONS							