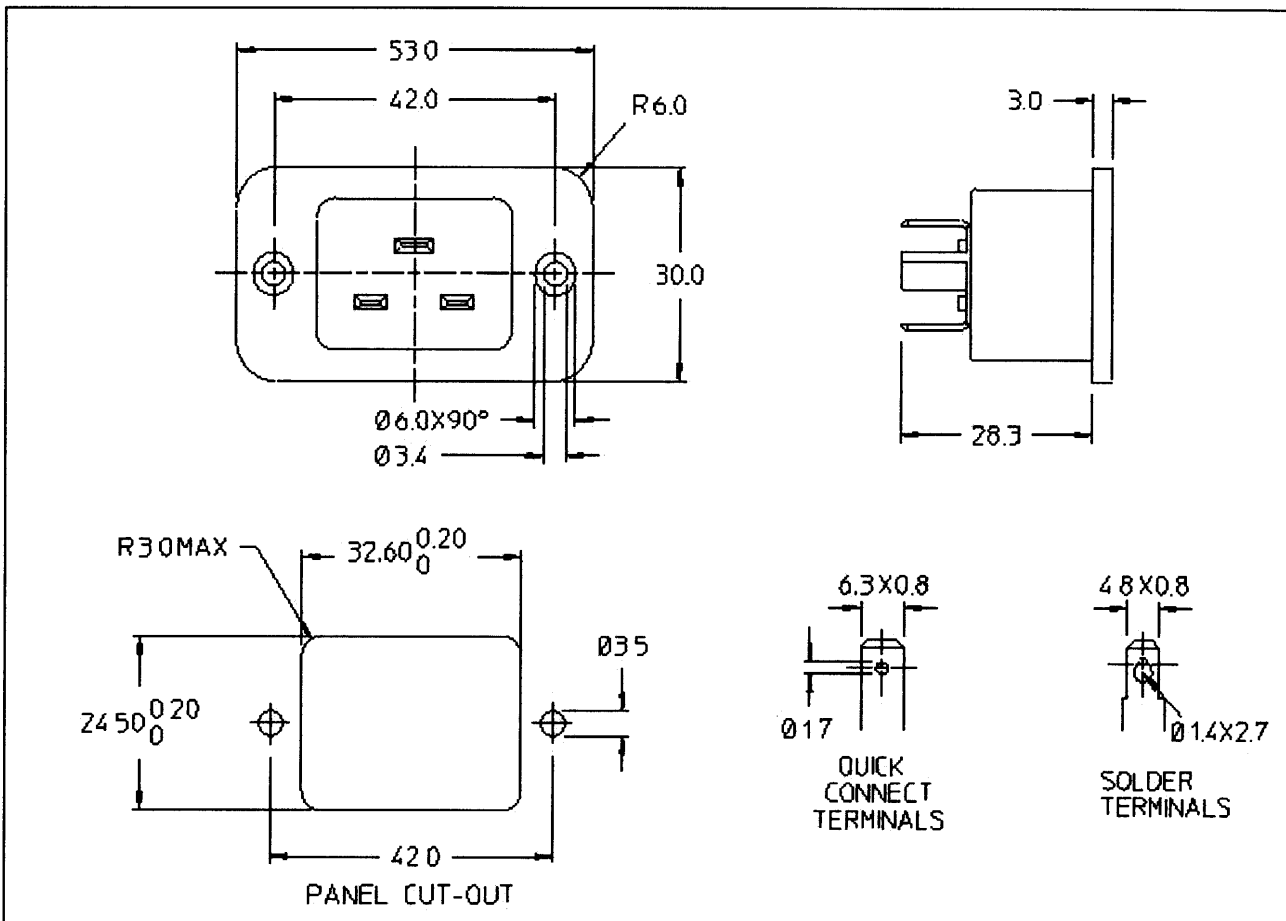


360 429



SPECIFICATION

EN 60 320 PART 1 STANDARD SHEET C20 (CLASS I COLD CONDITION)

APPROVALS 250V / 16A 250V / 20A 250V / 22A

MATERIALS

BODY MOULDING - PBT (UL94-V0)
 CONTACT PINS - BRASS, BRIGHT ELECTRO-TIN PLATED
 TERMINALS - BRASS, BRIGHT ELECTRO-TIN PLATED

ISS	MOD & DATE	TOLERANCES	MATL	SCALE
1	25 12 99	XX +/- 0.4 XXX +/- 0.1 UNLESS STATED OTHERWISE	SEE ABOVE	00 NOT USED ON
2	23 03 00		FINISH	
		DIMS IN MM	SCHURTER LTD BOGNOR REGIS, UNITED KINGDOM	SHT. 1