

Actual information about approvals can be found on
<http://www.schurter.com/approvals>



C14



70° C



Standard- or Medical-Filter

Description

- Panel mount:
 - Screw-on version from front side
- 3 Functions:
 - Connector Protection class I, Line switch 2-pole, Line filter in standard and medical version
- Quick connect terminals 6.3 x 0.8 mm
- Alternative: version without line filter [KEB2](#)
- We recommend for new applications type [DC12](#)

Characteristics

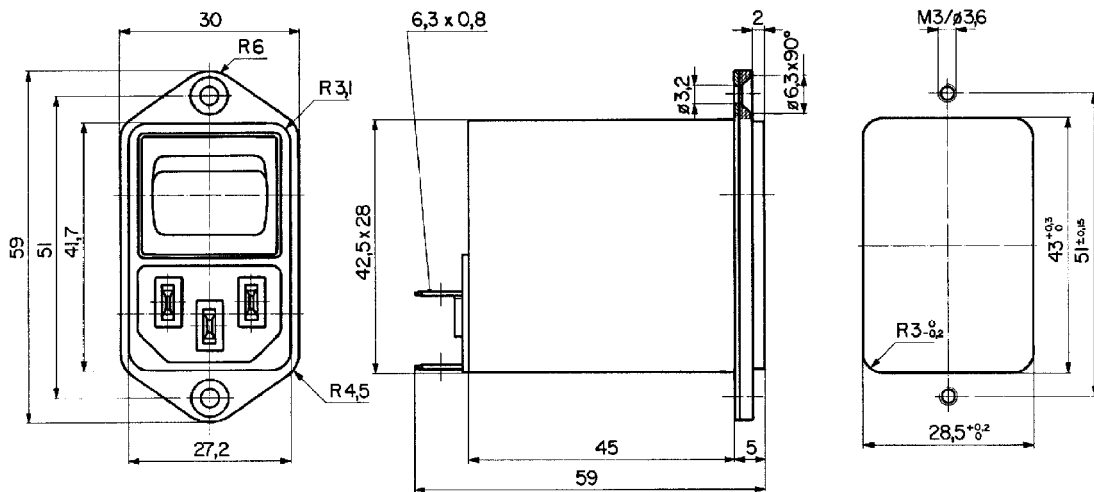
- All single elements are already wired
- Line switch non-illuminated
- With EMC-shield
- Qualified for use in equipment according IEC/EN 60950

Technical data

Ratings IEC	1 - 10 A @ Ta 40 °C / 250 VAC; 50 Hz
Ratings UL/CSA	1 - 10 A @ Ta 40 °C / 125 VAC; 60 Hz
Leakage current	standard < 0.5 mA (250 V / 60 Hz) medical < 5 µA (250 V / 60 Hz)
Dielectric strength	> 1.7 kVDC between L-N > 2.7 kVDC between L/N-PE Test voltage (2 sec)
Allowable operation temp.	-25 °C to 85 °C
Climatic category	25/085/21, IEC 60068-1
Degree of protection	from front side IP40 acc. to IEC 60529
Protection class	Suitable for appliances with protection class I acc. to IEC 61140
Terminals	Quick connect terminals 6.3 x 0.8 mm
Panel thickness s	Screw-on: max 8 mm Mounting screw torque max 0.5 Nm
Materials: Housing	Thermoplastic, black, UL 94V-0

Appliance-inlet /-outlet	C14 acc. to IEC/EN 60320-1, UL 498, CSA C22.2 no. 42 (for cold condition) pin-temperature 70 °C, 10 A, Protection class I
Line switch	Rocker switch 2-pole, non-illuminated, acc. to IEC 61058-1 Technical details GENERAL PRODUCT INFORMATION
Line filter	Standard and medical version, IEC 60939, IEC 60601-1, UL 1283, UL 544, EN 133 200, CSA C22.2 no. 8 Technical details GENERAL PRODUCT INFORMATION

Dimensions



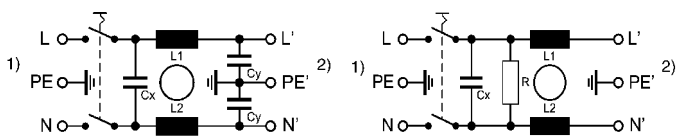
Technical data of filter-components

Rated current [A]	Filter-Type	Inductances	Capacitance	Capacitance	R [MΩ]
		L [mH]	CX [nF]	CY [nF]	
1	Standard Version	2 x 10	68	2.2	
2	Standard Version	2 x 4	68	2.2	
4	Standard Version	2 x 1.5	68	2.2	
6	Standard Version	2 x 0.8	68	2.2	
10	Standard Version	2 x 0.3	68	2.2	
1	Medical Version (M5)	2 x 10	68		1
2	Medical Version (M5)	2 x 4	68		1
4	Medical Version (M5)	2 x 1.5	68		1
6	Medical Version (M5)	2 x 0.8	68		1
10	Medical Version (M5)	2 x 0.3	68		1

Diagrams

Standard version

Medical version



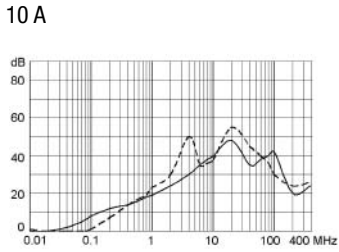
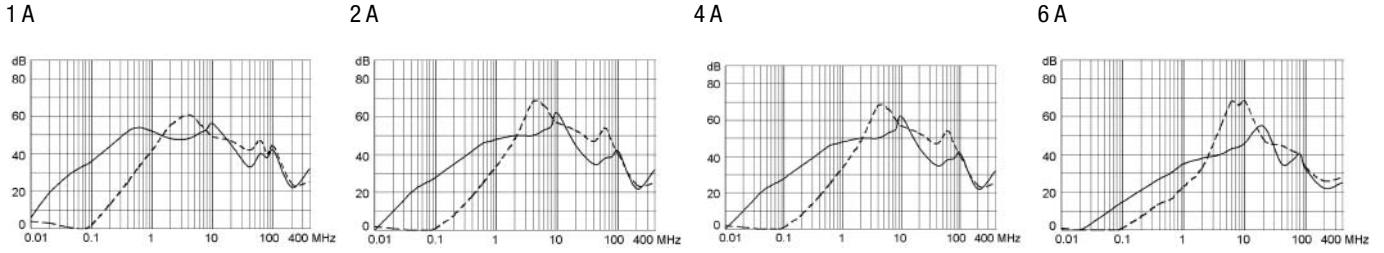
1) Line
2) Load

1) Line
2) Load

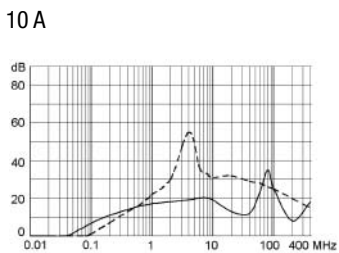
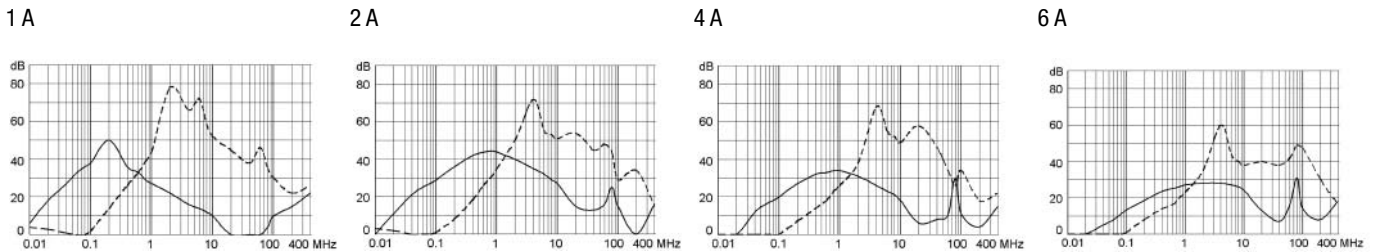
Attenuation loss

--- differential mode — common mode

Standard version



Medical version



Variants

Order Number	Rated current [A]	Filter-Type
4302.5311	1	Standard Version
4302.5312	2	Standard Version
4302.5313	4	Standard Version
4302.5314	6	Standard Version
4302.5315	10	Standard Version
4302.5331	1	Medical Version (M5)
4302.5333	2	Medical Version (M5)
4302.5335	4	Medical Version (M5)
4302.5337	6	Medical Version (M5)
4302.5339	10	Medical Version (M5)

Packaging unit 10 Pcs

Accessories

ACCESSORIES