

DO NOT SCALE DRAWING

8 7 6 5 4 3 2 1

DWG. NO. SD-56579-009

F

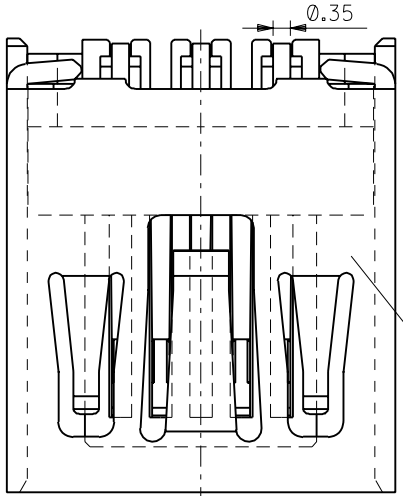
D

V

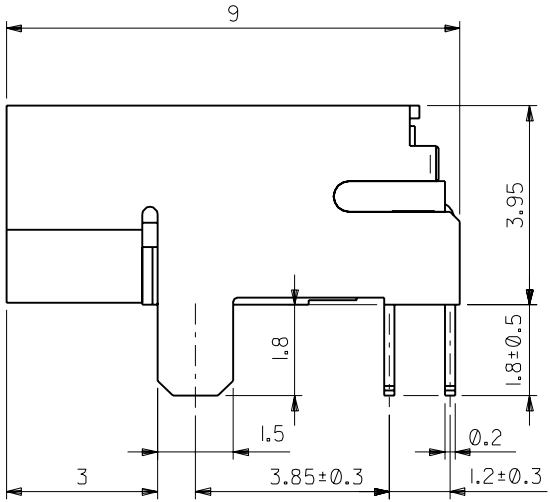
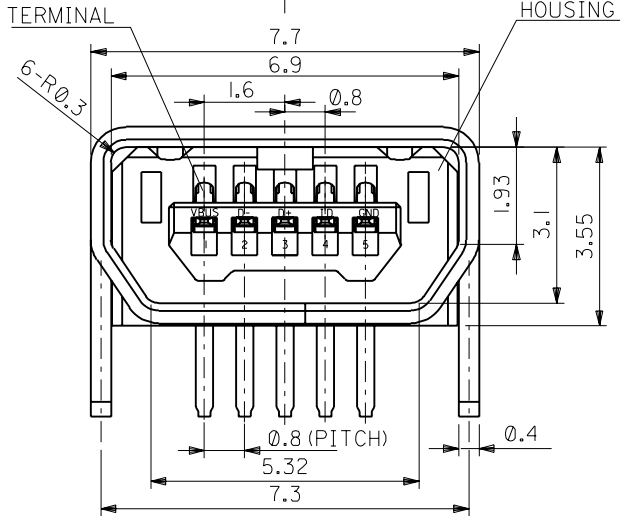
C

B

DO NOT SCALE DRAWING

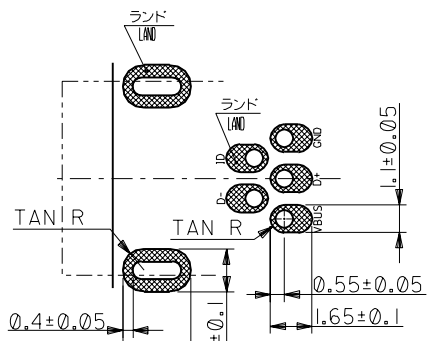
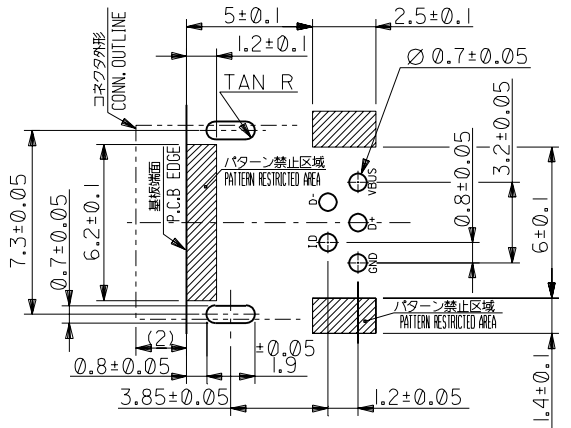


SHIELD CASE



コネクタ実装側 (CONNECTOR MOUNT SIDE)

逆側 (REVERSE SIDE)



推奨基板寸法
RECOMMENDED P.C.B. PATTERN LAYOUT

注記 1. 材質
NOTES MATERIAL

ハウジング: ポリフタルアミド ガラス充填, 灰色, UL 94V-0
 HOUSING: POLYPHTHAL AMIDE GLASS FILLED, GRAY, UL 94V-0
 ターミナル: 銅合金 (t=0.2)
 TERMINAL: COPPER ALLOY (t=0.2)
 シールド ケース: 銅合金 (t=0.4)
 SHIELD CASE: COPPER ALLOY (t=0.4)

2. メッキ仕様
PLATING

ターミナル
TERMINAL
 接点部: 金メッキ 0.75μm MIN.
 CONTACT AREA: GOLD 0.75MICRO METER MIN.
 半田付け部: 半田メッキ 3.8μm MIN.
 SOLDER TAIL AREA: TIN-LEAD 3.8MICRO METER MIN.
 下地部: ニッケルメッキ 1.25μm MIN.
 UNDER PLATING: NICKEL 1.25MICRO METER MIN.
 シールド ケース
SHIELD CASE
 : 半田メッキ 2.5μm MIN.
 : TIN-LEAD 2.5MICRO METER MIN.
 下地部: ニッケルメッキ 1μm MIN.
 UNDER PLATING: NICKEL 1MICRO METER MIN.

図番 NO. DRAWN: CH'K: APPR: 図番 NO. DRAWN: CH'K: APPR: 図番 NO. DRAWN: CH'K: APPR: 図番 NO. DRAWN: CH'K: APPR:	図番 NO. DRAWN: CH'K: APPR: 図番 NO. DRAWN: CH'K: APPR: 図番 NO. DRAWN: CH'K: APPR:	図番 NO. DRAWN: CH'K: APPR: 図番 NO. DRAWN: CH'K: APPR: 図番 NO. DRAWN: CH'K: APPR:	図番 NO. DRAWN: CH'K: APPR: 図番 NO. DRAWN: CH'K: APPR: 図番 NO. DRAWN: CH'K: APPR:	RELEASED 図番 NO. J2002-0793 DRAWN: TAKAHASHI 01/10/04 CH'K: THIRATA 01/10/04 APPR: MSASAO 01/10/04	MATERIAL 材料 SEE NOTES	GENERAL TOLERANCES: (UNLESS SPECIFIED) 一般公差 10 UNDER 未満 ±0.2 30 UNDER 未満 ±0.25 30 OVER 以上 ±0.3	SCALE 10 - 1 mm INCH DESIGN UNITS mm INCH DRAWN BY & DATE R. Takahashi 01/09/06 CHECKED BY & DATE T. Hirata 01/09/06 APPROVED BY & DATE M. Sano 01/09/06	DIMENSIONS: mm INCH SHT REV REVISE ON CAD ONLY
				DESCRIPTION 仕上がり SEE NOTES	WIRE RANGE 適用線径範囲 #	ANGLE 角度 ±3°	TITLE: USB SERIES MINI-AB REC. ASS'Y DIP	MOLEX MOLEX INCORPORATED

THIS DRAWING CONTAINS INFORMATION THAT IS PROPRIETARY TO MOLEX INCORPORATED AND SHOULD NOT BE USED WITHOUT WRITTEN PERMISSION. SIZE B

8 7 6 5 4 3 2 1 EN-02J(097) MXJ-54

DWG. NO. SD-56579-009

F

D

V

C

B

DO NOT SCALE DRAWING

8 7 6 5 4 3 2 1

F

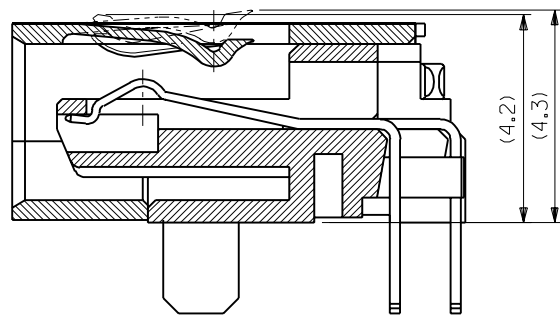
E

D

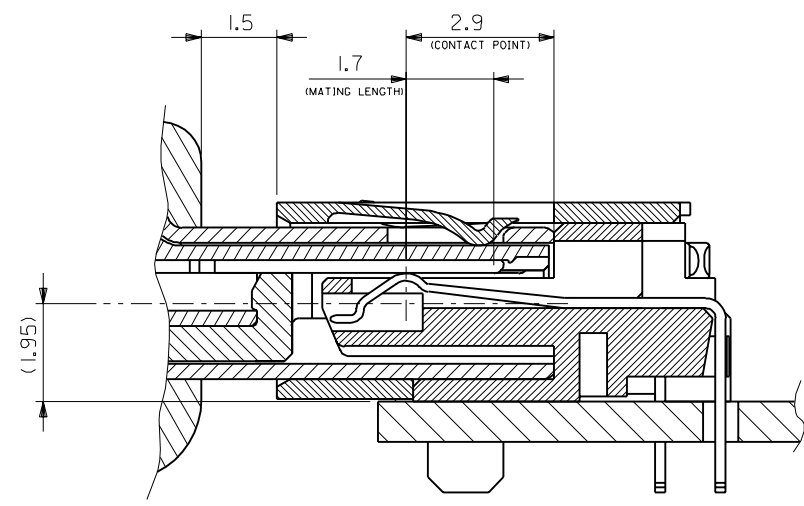
C

B

A



SECTION



MATING

DIMENSIONS: <input type="checkbox"/> mm <input type="checkbox"/> INCH <input checked="" type="checkbox"/> mm ONLY		SHT	REV
GENERAL TOLERANCES: (UNLESS SPECIFIED) 一般公差		REVISION ON CAD ONLY	
10 UNDER 未滿 10 OVER 30 UNDER 未滿 30 OVER 以上	±0.2 ±0.25 ±0.3	TITLE: USB SERIES MINI-AB REC. ASS'Y DIP	
DRAWN BY & DATE <i>R. Takahashi</i> 01/09/06		CHECKED BY & DATE <i>T. Kirata</i> 01/09/06	
APPROVED BY & DATE <i>M. Sano</i> 01/09/06		MOLEX INCORPORATED	
CAD FILENAME SD-56579-009.S02	MATERIAL NO. 56579-0511	DRAWING NO. SD-56579-009	SHEET NO. 2
THIS DRAWING CONTAINS INFORMATION THAT IS PROPRIETARY TO MOLEX INCORPORATED AND SHOULD NOT BE USED WITHOUT WRITTEN PERMISSION.			SIZE B

8 7 6 5 4 3 2 1 EN-02J(097) MXJ-54