

No.	Changes and/or Note No.	Date	Intr.	No.	Changes and/or Note No.	Date	Intr.

MATERIALS:

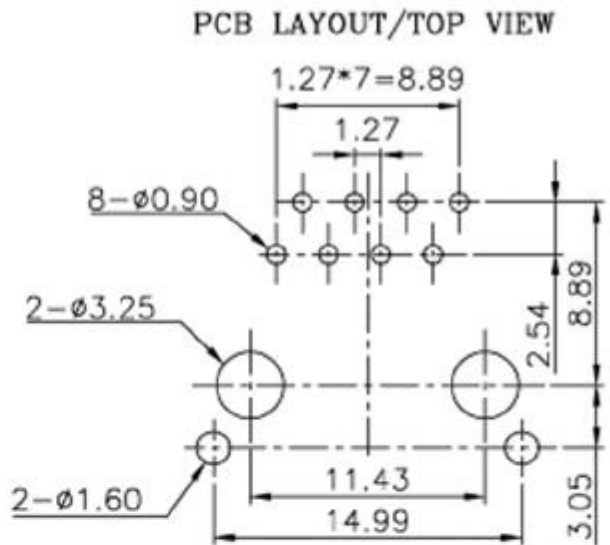
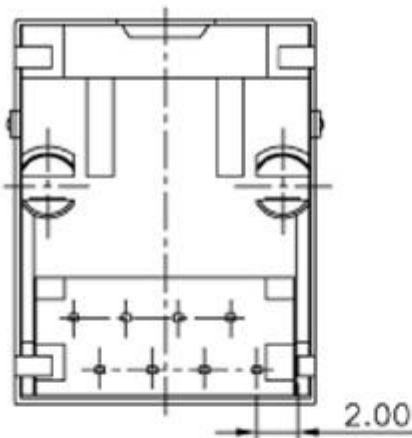
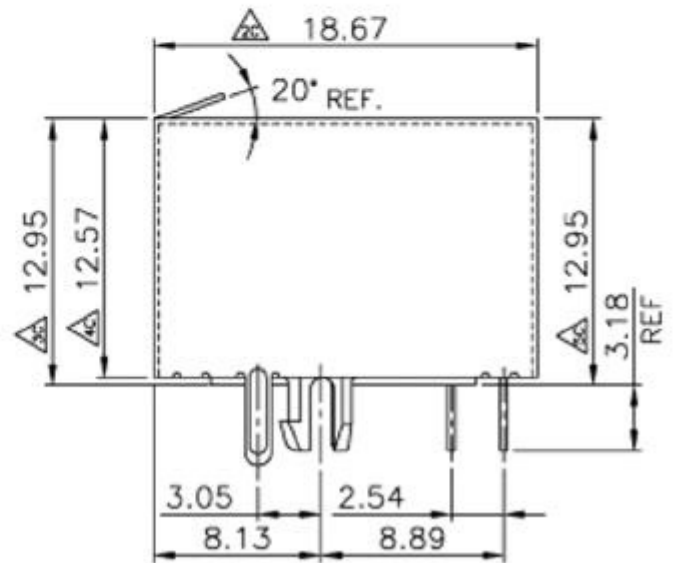
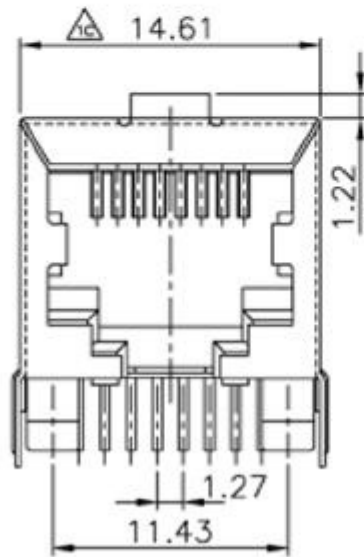
PLASTIC HOUSING: ENGINEERING THERMOPLASTIC
 FLAMMABILITY RATING UL 94V-0.

CONTACTS: 0.35MM THICKNESS PHOSPHOR BRONZE

PLATING: GOLD PLATING OVER NICKEL IN CONTACT.

TIN PLATING OVER NICKEL IN SOLDER AREA.

SHIELDED: BRASS WITH NICKEL PLATED



DATE	041101	DRAWN	MRR	SCALE	MATERIAL TYPE	
		APPROVED			REPLACES	
 Eldon Electronics AB		MHRJJ88NFRAS Modular Connector			DRAWING No	145