



### Wall mounting bracket

For the attachment of KL, EB, BG and EL enclosures as well as DK and FM wall-mounted distributors.

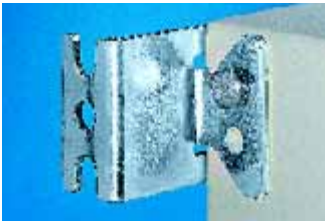
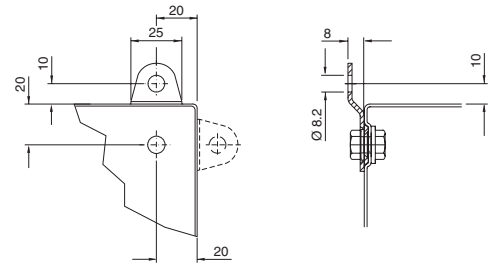
**Supply includes:**

Assembly parts for mounting on the enclosure.

**Note:**

For hygiene reasons, and in view of the protection category, the stainless steel enclosures do not have any drilled holes for the wall mounting brackets.

Material	Wall distance mm	Packs of	Model No. KL
Brass nickel-plated	8	4	<b>1580.000</b>
Sheet steel zinc-plated, passivated	8	4	<b>1590.000</b>
Stainless steel 1.4301	8	4	<b>1594.000</b>



### Wall mounting bracket

For the attachment of KL, EB, BG, AE, CM and EL enclosures as well as DK and FM wall-mounted distributors.

**Supply includes:**

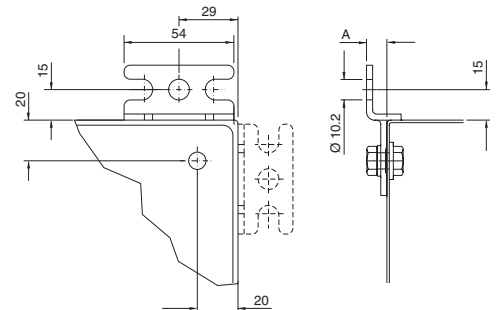
Assembly parts for mounting on the enclosure.

**Note:**

For hygiene reasons, and in view of the protection category, the stainless steel enclosures do not have any drilled holes for the wall mounting brackets.

Material	Wall distance (A) mm	Packs of	Model No. SZ
Sheet steel zinc-plated, passivated	40	1	<b>2503.000<sup>1)</sup></b>
		4	<b>2503.010</b>
	10	1	<b>2508.000<sup>1)</sup></b>
		4	<b>2508.010</b>
Stainless steel 1.4301	10	4	<b>2433.000</b>

<sup>1)</sup> Without assembly parts.



### Wall mounting bracket for KS

For attachment to the wall, only possible from the outside of the enclosure.

**Material:**

Fibreglass-reinforced polyamide<sup>1)</sup>

**Supply includes:**

Assembly parts for mounting on the enclosure.

Colour	Packs of	Model No. KS/KE
Sim. to RAL 7032	4	<b>1483.000</b>
Sim. to RAL 9011	4	<b>9266.000<sup>1)</sup></b>

<sup>1)</sup> With graphite additive for Ex applications.

