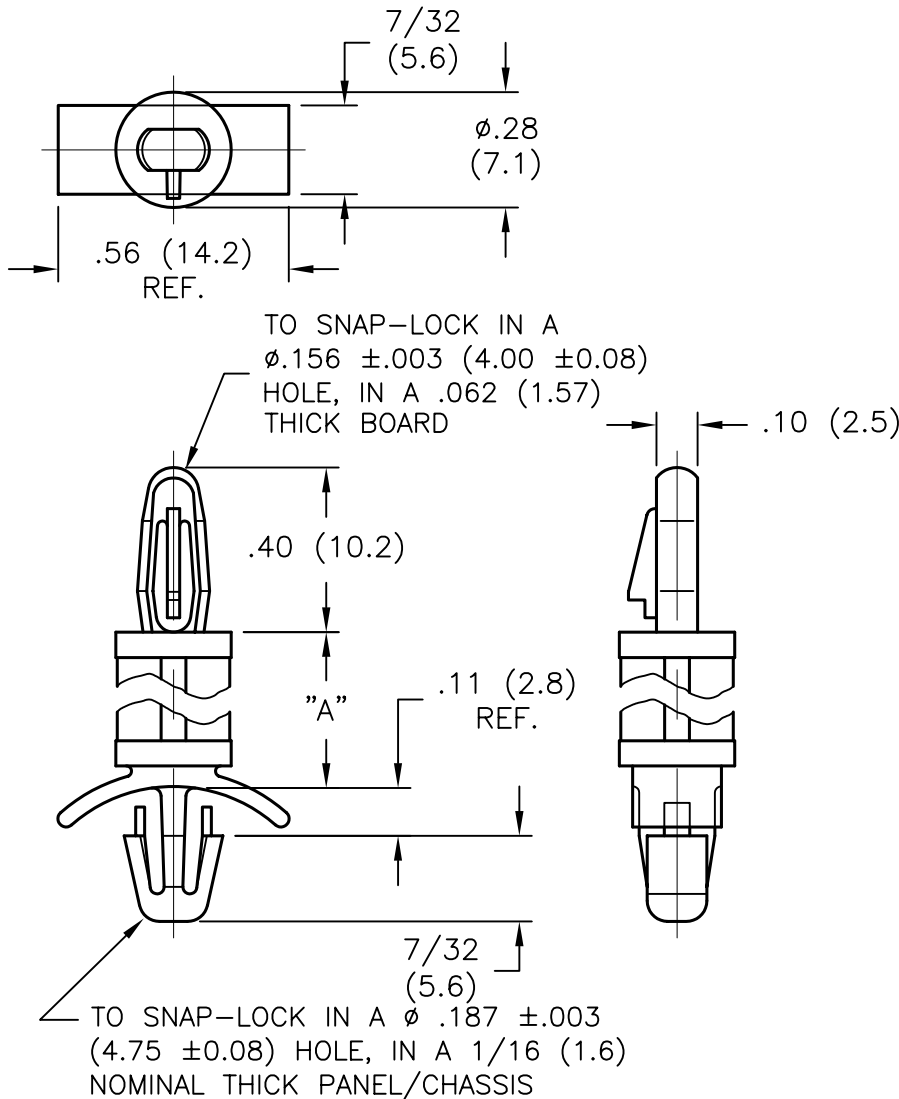


REVISIONS

DCP #	REV	DESCRIPTION	DRAWN	DATE	CHECKD	DATE	APPRVD	DATE
811	D	Renamed - was PCS-*	JWM	8/24/01	JC	9/14/01	JC	9/14/01
1865	E	RoHS ADDED	DCM	10/17/05	JWM	10/18/05	JWM	10/18/05



REV	PART NO.	DIM "A" ±.015 (0.4)
C	PCS-3	3/16 (4.8)
C	PCS-4	1/4 (6.4)
C	PCS-6	3/8 (9.5)
C	PCS-8	1/2 (12.7)
C	PCS-10	5/8 (15.9)
C	PCS-12	3/4 (19.1)
C	PCS-14	7/8 (22.2)
C	PCS-16	1 (25.4)
C	PCS-20	1-1/8 (28.6)

NOTES:

1. MATERIAL: NYLON 6/6
2. COLOR: NATURAL

DISCLAIMER:  
ALL STATEMENTS AND TECHNICAL INFORMATION CONTAINED HEREIN ARE BASED UPON INFORMATION AND/OR TESTS WE BELIEVE TO BE ACCURATE AND RELIABLE. SINCE CONDITIONS OF USE ARE BEYOND OUR CONTROL, THE USER SHALL DETERMINE THE SUITABILITY OF THE PRODUCT FOR THE INTENDED USE AND ASSUME ALL RISK AND LIABILITY WHATSOEVER IN CONNECTION THEREWITH.

TOLERANCES:  
Tolerances: Unless  
Otherwise Specified:  
.XX = ±.010  
.XXX = ±.005  
Fractional = ±1/64  
Angles = ±1°

DRAWN BY:	DATE:
JC	9/23/91
CHECKED BY:	DATE:
JC	9/23/91
APPROVED BY:	DATE:
JC	9/23/91

DRAWING TITLE: <b>Locking Circuit board Support on Base</b>			
SIZE	DWG. NO.	ELECTRONIC FILE	REV
A	TA-395	TA-395.dwg	E
SCALE: NTS	U.O.M.: INCHES [mm]	SHEET: 1 OF 1	