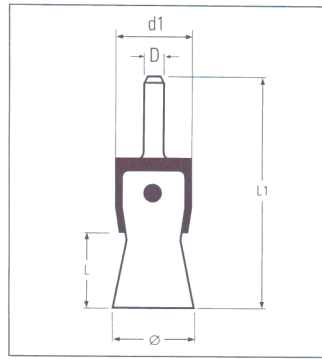


# End Brushes Record and Alpha

**Record:** Record end brushes are produced from crimped wire in various qualities. They are the perfect brush for hard-to-reach areas such as corners, drilled holes and recesses of all kinds.

**Fill types:** RECORD  
**STD** – Steel wire, natural hard, crimped.  
**INOX** – Stainless steel wire, acid resistant, crimped.  
**MES** – Brass wire (Cu-Zn), crimped.  
**Applications:** Removal of paint, rust and primer, and the cleaning of moulds and castings.



**Alpha:** Heat-resistant polyamide filaments, impregnated, with 20–40% abrasive grit.

**Fill type:** ALPHA  
**ANS** – ANDERLON abrasive filaments, silicon-carbide grit, crimped.  
**Applications:** The removal of fine burrs and the production of matt and satin finishes.



## End Brushes Record



## Pinselbürsten Record

Dimensions/ Abmessungen	d1	L	D	L1	RPM/ UPM	Type	0.20 INOX	0.30 INOX	0.20 MES	0.30 MES
ø	mm	mm	mm	mm	max.		Art.-No.	Art.-No.	Art.-No.	Art.-No.
<b>Record</b>										
<b>12 (1/2")</b>	10	20	6	60	20000	<b>P 10</b>	9310.4300	9310.4500	9310.6300	9310.6500
<b>17 (11/16")</b>	15	22	6	65	18000	<b>P 15</b>	9315.4300	9315.4500	9315.6300	9315.6500
<b>24 (15/16")</b>	22	25	6	68	18000	<b>P 22</b>	9322.4300	9322.4500	9322.6300	9322.6500
<b>30 (1 1/4")</b>	28	25	6	68	15000	<b>P 28</b>	9328.4300	9328.4500	9328.6300	9328.6500
<b>10 (3/8")</b>	8	20	6	120	20000	<b>P 8 L-95</b>	9308.4310	9308.4510	9308.6310	9308.6510
<b>12 (1/2")</b>	10	20	6	120	20000	<b>P 10 L-100</b>	9310.4310	9310.4510	9310.6310	9310.6510
<b>18 (11/16")</b>	16	22	6	147	18000	<b>P 16 L-125</b>	9316.4310	9316.4510	9316.6310	9316.6510
<b>50 (2")</b>	22	25	6	68	15000	<b>G 2250</b>	9322.4301	9322.4501	9322.6301	9322.6501
	28	20	6	63	15000	<b>G 2850</b>	9328.4303	9328.4503	9328.6303	9328.6503
<b>70 (2 3/4")</b>	28	25	6	68	15000	<b>G 2870</b>	9328.4301	9328.4501	9328.6301	9328.6501

## End Brushes Record



## Pinselbürsten Record

Dimensions/ Abmessungen	d1	L	D	L1	RPM/ UPM	Type	0.20 STD	0.30 STD	0.50 STD
ø	mm	mm	mm	mm	max.		Art.-No.	Art.-No.	Art.-No.
<b>Record</b>									
<b>12 (1/2")</b>	10	20	6	60	20000	<b>P 10</b>	9310.0300	9310.0500	9310.0800
<b>17 (11/16")</b>	15	22	6	65	18000	<b>P 15</b>	9315.0300	9315.0500	9315.0800
<b>24 (15/16")</b>	22	25	6	68	18000	<b>P 22</b>	9322.0300	9322.0500	9322.0800
<b>30 (1 1/4")</b>	28	25	6	68	15000	<b>P 28</b>	9328.0300	9328.0500	9328.0800
<b>10 (3/8")</b>	8	20	6	120	20000	<b>P 8 L-95</b>	9308.0310	9308.0510	9308.0810
<b>12 (1/2")</b>	10	20	6	120	20000	<b>P 10 L-100</b>	9310.0310	9310.0510	9310.0810
<b>18 (11/16")</b>	16	22	6	147	18000	<b>P 16 L-125</b>	9316.0310	9316.0510	9316.0810
<b>50 (2")</b>	22	25	6	68	15000	<b>G 2250</b>	9322.0301	9322.0501	9322.0801
	28	20	6	63	15000	<b>G 2850</b>	9328.0303	9328.0503	9328.0803
<b>70 (2 3/4")</b>	28	25	6	68	15000	<b>G 2870</b>	9328.0301	9328.0501	9328.0801