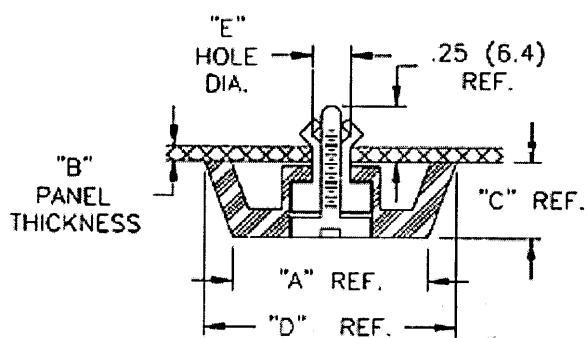


# RIVETS, BUMPERS AND FEET

## FAST FEET (FF)

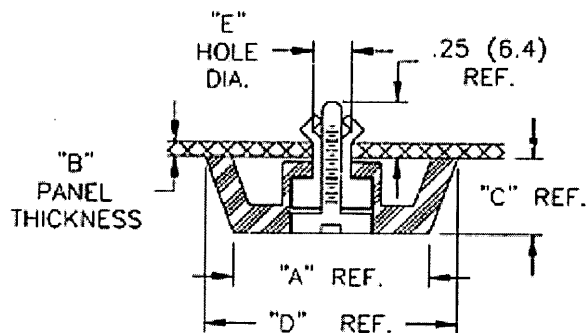
- Simply press screw to install; release with screw driver
- **Material : Foot : Thermoplastic Rubber, RMS-76; Screw: Acetal, RMS-14**
- Color : Black
- Standard Pack : 100 per bag

### FF WITH DRIVE SCREW



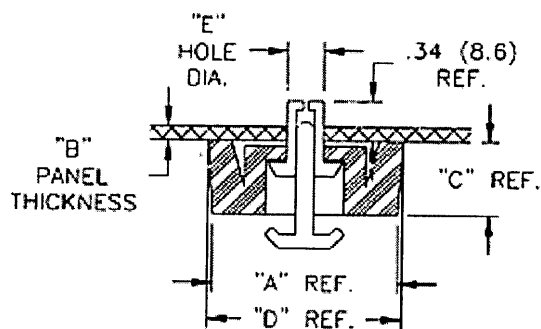
PART NO	"A" REF.	"B" THKS RANGE	"C" REF.	"D" REF.	"E" HOLE DIA.
FF-001	.79 (20)	.039-.091	.55 (14)	.95 (24)	.197-.201
FF-004	.71 (18)	(1.0-2.3)	.39 (10)	.79 (20)	(5.0-5.1)

### FF WITH DRIVE SCREW



- Push rivet to install easily: release by pushing pin from other side
- **Material : Foot : Thermoplastic Rubber, RMS-76; Rivet : Nylon 6, RMS-28**
- Color : Black
- Standard Pack : 100 per bag

### FF WITH PUSH RIVET



PART NO.	A REF.	B THKS. RANGE	C REF.	D REF.	E HOLE DIAMETER	
FF-003-P3x5.5	.53 (13.5)	.031-.071 (0.8-1.8)	.22 (5.5)	.56 (14.2)	.122 (3.1) - .126 (3.2)	
FF-005-P4x5		.031-.071 (0.8-1.8)			.161-.165 (4.1-4.2)	
FF-005-P4x6	.79	.071-.111 (1.8-2.8)	.17	.83		
FF-005-P4x7	(20)	.114-.146 (2.9-3.7)	(4.2)	(21)		
FF-005-P4x8		.150-.189 (3.8-4.8)				
FF-006-P4x6		.074-.039 (0.6-1.0)				
FF-006-P4x7	.55	.039-.079 (1.0-2.0)		.59		
FF-006-P4x8	(14)	.079-.118 (2.0-3.1)		(15)		
FF-006-P5x6.5		.031-.047 (0.8-1.2)	.24			200 (5.1) - 205 (5.2)
FF-008-P4x6		.031-.071 (0.8-1.8)	(6)			.161-.165 (4.1-4.2)
FF-008-P4x7		.075-.110 (1.9-2.8)				
FF-008-P4x8		.114-.157 (2.9-4.0)				
FF-009-P4x6	.79	.0-0.31 (0-0.08)		.83		
FF-009-P4x7	(20)	.031-.079 (0.8-2.0)	.31	(21)		
FF-009-P4x8		.083-.118 (2.1-3.0)	(8)			

(C) Copyright 2000. All Rights Reserved by Richco Asia.

### Richco Asia Pte Ltd

51 Lorong 17 Geylang #05-02 Superior Industrial Building Singapore 338571

Tel : (65) 6 841 3266 Fax : (65) 6 841 5481

Business Hours : Monday - Friday 8.30am - 5.00pm

Email : richco@singnet.com.sg Web Site : <http://www.richco.com.sg>