

SN75C1167, SN75C1168 DUAL DIFFERENTIAL DRIVERS AND RECEIVERS

SLLS159C – MARCH 1993 – REVISED APRIL 1998

- Meet or Exceed Standards TIA/EIA-422-B and ITU Recommendation V.11
- BiCMOS Process Technology
- Low Supply-Current Requirements:
9 mA Max
- Low Pulse Skew
- Receiver Input Impedance . . . 17 k Ω Typ
- Receiver Input Sensitivity . . . ± 200 mV
- Receiver Common-Mode Input Voltage Range of -7 V to 7 V
- Operate From Single 5-V Power Supply
- Glitch-Free Power-Up/Power-Down Protection
- Receiver 3-State Outputs Active-Low Enable for SN75C1167 Only
- Improved Replacements for the MC34050 and MC34051

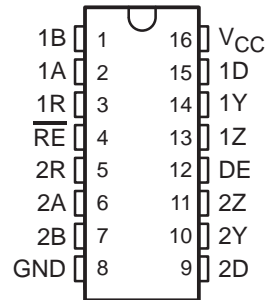
description

The SN75C1167 and SN75C1168 dual drivers and receivers are monolithic integrated circuits designed for balanced transmission lines. The devices meet TIA/EIA-422-B and ITU recommendation V.11.

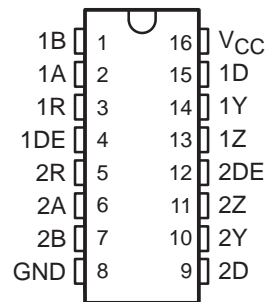
The SN75C1167 combines dual 3-state differential line drivers and 3-state differential line receivers, both of which operate from a single 5-V power supply. The driver and receiver have active-high and active-low enables, respectively, which can be connected externally together to function as direction control. The SN75C1168 drivers have individual active-high enables.

The SN75C1167 and SN75C1168 are characterized for operation from 0°C to 70°C.

SN75C1167 . . . N OR NS[†] PACKAGE
(TOP VIEW)



SN75C1168 . . . N OR NS[†] PACKAGE
(TOP VIEW)



[†] The NS package is only available left-ended taped and reeled (order device SNx5C116xNSLE).



Please be aware that an important notice concerning availability, standard warranty, and use in critical applications of Texas Instruments semiconductor products and disclaimers thereto appears at the end of this data sheet.

PRODUCTION DATA information is current as of publication date. Products conform to specifications per the terms of Texas Instruments standard warranty. Production processing does not necessarily include testing of all parameters.

 **TEXAS
INSTRUMENTS**

POST OFFICE BOX 655303 • DALLAS, TEXAS 75265
POST OFFICE BOX 1443 • HOUSTON, TEXAS 77251-1443

Copyright © 1998, Texas Instruments Incorporated

SN75C1167, SN75C1168 DUAL DIFFERENTIAL DRIVERS AND RECEIVERS

SLLS159C – MARCH 1993 – REVISED APRIL 1998

Function Tables

EACH DRIVER

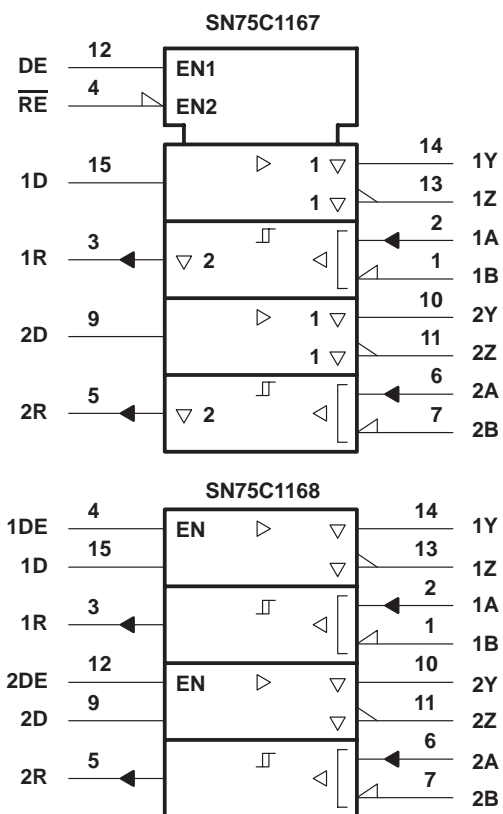
INPUT D	ENABLE DE	OUTPUTS	
		Y	Z
H	H	H	L
L	H	L	H
X	L	Z	Z

SN75C1167, EACH RECEIVER

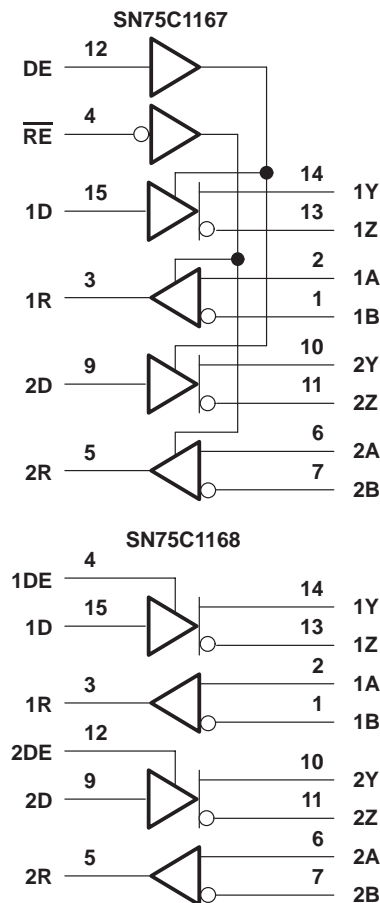
DIFFERENTIAL INPUTS A – B	ENABLE RE	OUTPUT R
$V_{ID} \geq 0.2 V$	L	H
$-0.2 V < V_{ID} < 0.2 V$	L	?
$V_{ID} \leq -0.2 V$	L	L
X	H	Z
Open	L	H

H = high level, L = low level, ? = indeterminate,
X = irrelevant, Z = high impedance (off)

logic symbol†



logic diagram (positive logic)

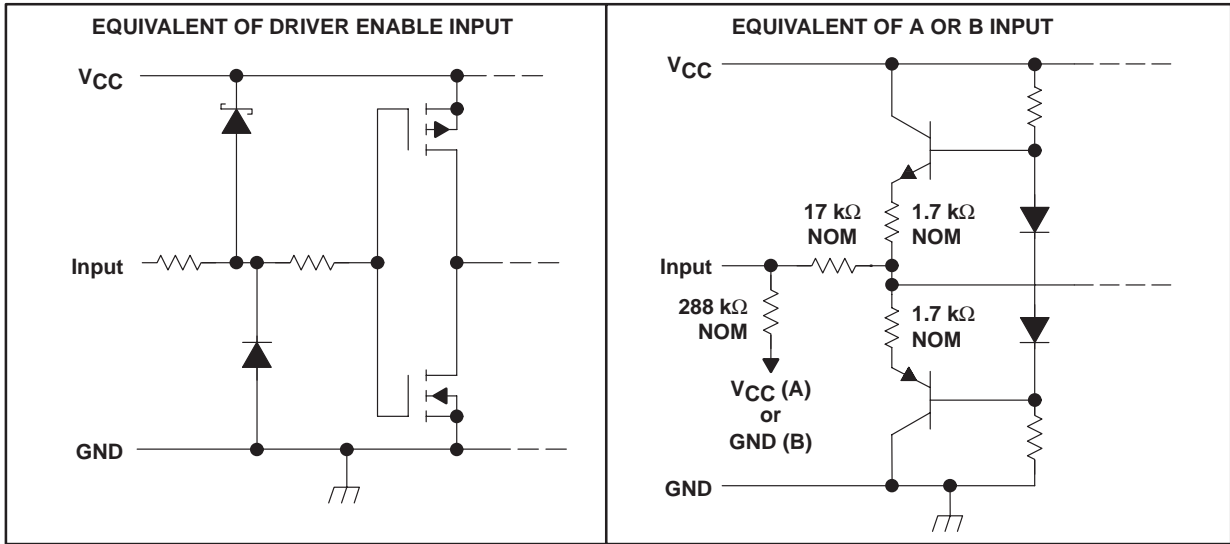


† These symbols are in accordance with ANSI/IEEE Std 91-1984 and IEC Publication 617-12.

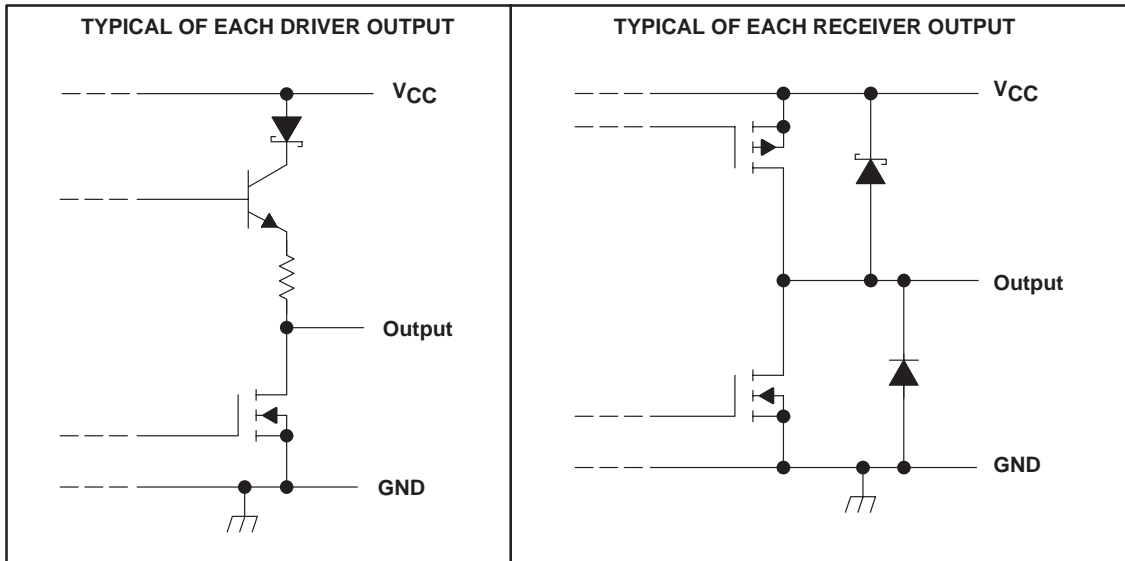
SN75C1167, SN75C1168 DUAL DIFFERENTIAL DRIVERS AND RECEIVERS

SLLS159C – MARCH 1993 – REVISED APRIL 1998

schematics of inputs



schematics of outputs



SN75C1167, SN75C1168 DUAL DIFFERENTIAL DRIVERS AND RECEIVERS

SLLS159C – MARCH 1993 – REVISED APRIL 1998

absolute maximum ratings over operating free-air temperature range (unless otherwise noted)†

Supply voltage range, V_{CC} (see Note 1)	–0.5 V to 7 V
Input voltage range, V_I	–0.5 V to $V_{CC} + 0.5$ V
Input voltage range, V_I (A or B, Receiver)	–11 V to 14 V
Differential input voltage range, V_{ID} , Receiver (see Note 2)	–14 V to 14 V
Output voltage range, V_O , Driver	–5 V to 7 V
Clamp current range, I_{IK} or I_{OK} , Driver	±20 mA
Output current range, I_O , Driver	±150 mA
Supply current, I_{CC}	200 mA
GND current	–200 mA
Output current range, I_O , Receiver	±25 mA
Continuous total power dissipation	See Dissipation Rating Table
Storage temperature range, T_{stg}	–65°C to 150°C
Lead temperature 1,6 mm (1/16 inch) from case for 10 seconds	260°C

† Stresses beyond those listed under “absolute maximum ratings” may cause permanent damage to the device. These are stress ratings only, and functional operation of the device at these or any other conditions beyond those indicated under “recommended operating conditions” is not implied. Exposure to absolute-maximum-rated conditions for extended periods may affect device reliability.

- NOTES: 1. All voltage values except differential input voltage are with respect to the network GND.
2. Differential input voltage is measured at the noninverting terminal with respect to the inverting terminal.

DISSIPATION RATING TABLE

PACKAGE	$T_A \leq 25^\circ\text{C}$ POWER RATING	OPERATING FACTOR ABOVE $T_A = 25^\circ\text{C}$	$T_A = 70^\circ\text{C}$ POWER RATING	$T_A = 85^\circ\text{C}$ POWER RATING
N	1250 mW	10 mW/°C	800 mW	650 mW
NS	625 mW	5 mW/°C	400 mW	325 mW

recommended operating conditions

		MIN	NOM	MAX	UNIT
Supply voltage, V_{CC}		4.5	5	5.5	V
Common-mode input voltage, V_{IC} (see Note 3)	Receiver			±7	V
Differential input voltage, V_{ID}	Receiver			±7	V
High-level input voltage, V_{IH}	Except A, B	2			V
Low-level input voltage, V_{IL}	Except A, B			0.8	V
High-level output current, I_{OH}	Receiver			–6	mA
	Driver			–20	
Low-level output current, I_{OL}	Receiver			6	mA
	Driver			20	
Operating free-air temperature, T_A		0		70	°C

NOTE 3: Refer to TIA/EIA-422-B for exact conditions.



DRIVER SECTION

electrical characteristics over recommended ranges of supply voltage and operating free-air temperature (unless otherwise noted)

PARAMETER		TEST CONDITIONS	MIN	TYP†	MAX	UNIT	
V _{IK}	Input clamp voltage	I _I = -18 mA			-1.5	V	
V _{OH}	High-level output voltage	V _{IH} = 2 V, V _{IL} = 0.8 V, I _{OH} = -20 mA	2.4	3.4		V	
V _{OL}	Low-level output voltage	V _{IH} = 2 V, V _{IL} = 0.8 V, I _{OL} = 20 mA		0.2	0.4	V	
V _{OD1}	Differential output voltage	I _O = 0 mA	2		6	V	
V _{OD2}	Differential output voltage	R _L = 100 Ω, See Figure 1 and Note 3	2	3.1		V	
Δ V _{OD}	Change in magnitude of differential output voltage				±0.4	V	
V _{OC}	Common-mode output voltage				±3	V	
Δ V _{OC}	Change in magnitude of common-mode output voltage				±0.4	V	
I _{O(OFF)}	Output current with power off (see Note 3)	V _{CC} = 0 V			100	μA	
		V _O = 6 V					
		V _O = -0.25 V			-100	μA	
I _{OZ}	High-impedance-state output current	V _O = 2.5 V			20	μA	
		V _O = 5 V			-20	μA	
I _{IH}	High-level input current	V _I = V _{CC} or V _{IH}			1	μA	
I _{IL}	Low-level input current	V _I = GND or V _{IL}			-1	μA	
I _{OS}	Short-circuit output current	V _O = V _{CC} or GND, See Note 4	-30		-150	mA	
I _{CC}	Supply current (total package)	No load, Enabled			4	6	mA
		V _I = V _{CC} or GND					
		V _I = 2.4 or 0.5 V, See Note 5			5	9	mA
C _i	Input capacitance				6	pF	

† All typical values are at V_{CC} = 5 V and T_A = 25°C.

NOTES: 3. Refer to TIA/EIA-422-B for exact conditions.

4. Not more than one output should be shorted at a time, and the duration of the short circuit should not exceed one second.

5. This parameter is measured per input, while the other inputs are at V_{CC} or GND.

switching characteristics over recommended ranges of supply voltage and operating free-air temperature (unless otherwise noted)

PARAMETER		TEST CONDITIONS	MIN	TYP†	MAX	UNIT
t _{PHL}	Propagation delay time, high- to low-level output	R ₁ = R ₂ = 50 Ω, R ₃ = 500 Ω, C ₁ = C ₂ = C ₃ = 40 pF, S1 is open, See Figure 2		7	12	ns
t _{PLH}	Propagation delay time, low- to high-level output			7	12	ns
t _{sk(p)}	Pulse skew			0.5	4	ns
t _r	Rise time	R ₁ = R ₂ = 50 Ω, R ₃ = 500 Ω, C ₁ = C ₂ = C ₃ = 40 pF, S1 is open, See Figure 3		5	10	ns
t _f	Fall time			5	10	ns
t _{PZH}	Output enable time to high level	R ₁ = R ₂ = 50 Ω, R ₃ = 500 Ω, C ₁ = C ₂ = C ₃ = 40 pF, S1 is closed, See Figure 4		10	19	ns
t _{PZL}	Output enable time to low level			10	19	ns
t _{PHZ}	Output disable time from low level	R ₁ = R ₂ = 50 Ω, R ₃ = 500 Ω, C ₁ = C ₂ = C ₃ = 40 pF, S1 is closed, See Figure 4		7	16	ns
t _{PLZ}	Output disable time from high level			7	16	ns

† All typical values are at V_{CC} = 5 V and T_A = 25°C.



SN75C1167, SN75C1168

DUAL DIFFERENTIAL DRIVERS AND RECEIVERS

SLLS159C – MARCH 1993 – REVISED APRIL 1998

RECEIVER SECTION

electrical characteristics over recommended ranges of common-mode input voltage, supply voltage, and operating free-air temperature (unless otherwise noted)

PARAMETER		TEST CONDITIONS	MIN	TYP†	MAX	UNIT
V_{IT+}	Positive-going input threshold voltage, differential input				0.2	V
V_{IT-}	Negative-going input threshold voltage, differential input		-0.2‡			V
V_{hys}	Input hysteresis ($V_{IT+} - V_{IT-}$)			60		mV
V_{IK}	Input clamp voltage, \overline{RE}	SN75C1167 $I_I = -18$ mA			-1.5	V
V_{OH}	High-level output voltage	$V_{ID} = 200$ mV, $I_{OH} = -6$ mA	3.8	4.2		V
V_{OL}	Low-level output voltage	$V_{ID} = -200$ mV, $I_{OL} = 6$ mA		0.1	0.3	V
I_{OZ}	High-impedance-state output current	SN75C1167 $V_O = V_{CC}$ or GND		± 0.5	± 5	μ A
I_I	Line input current	Other input at 0 V			1.5	mA
		$V_I = 10$ V			-2.5	
I_I	Enable input current, \overline{RE}	SN75C1167 $V_I = V_{CC}$ or GND			± 1	μ A
r_i	Input resistance	$V_{IC} = -7$ V to 7 V, Other input at 0 V	4	17		k Ω
I_{CC}	Supply current (total package)	No load, Enabled			4	mA
		$V_I = V_{CC}$ or GND $V_{IH} = 2.4$ V or 0.5 V, See Note 5			5	

† All typical values are at $V_{CC} = 5$ V and $T_A = 25^\circ\text{C}$.

‡ The algebraic convention, where the less positive (more negative) limit is designated as minimum, is used in this data sheet for common-mode input voltage and threshold voltage levels only.

switching characteristics over recommended ranges of supply voltage and operating free-air temperature (unless otherwise noted) (see Note 6)

PARAMETER		TEST CONDITIONS	MIN	TYP†	MAX	UNIT
t_{PLH}	Propagation delay time, low- to high-level output	See Figure 5	9	17	27	ns
t_{PHL}	Propagation delay time, high- to low-level output		9	17	27	ns
t_{TLH}	Transition time, low- to high-level output	$V_{IC} = 0$ V, See Figure 5		4	9	ns
t_{THL}	Transition time, high- to low-level output			4	9	ns
t_{PZH}	Output enable time to high level	$R_L = 1$ kW, See Figure 6		13	22	ns
t_{PZL}	Output enable time to low level			13	22	ns
t_{PHZ}	Output disable time from high level			13	22	ns
t_{PLZ}	Output disable time from low level			13	22	ns

† All typical values are at $V_{CC} = 5$ V and $T_A = 25^\circ\text{C}$.

NOTE 6: Measured per input while the other inputs are at V_{CC} or GND



PARAMETER MEASUREMENT INFORMATION

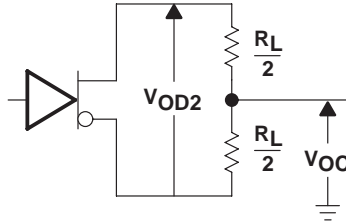
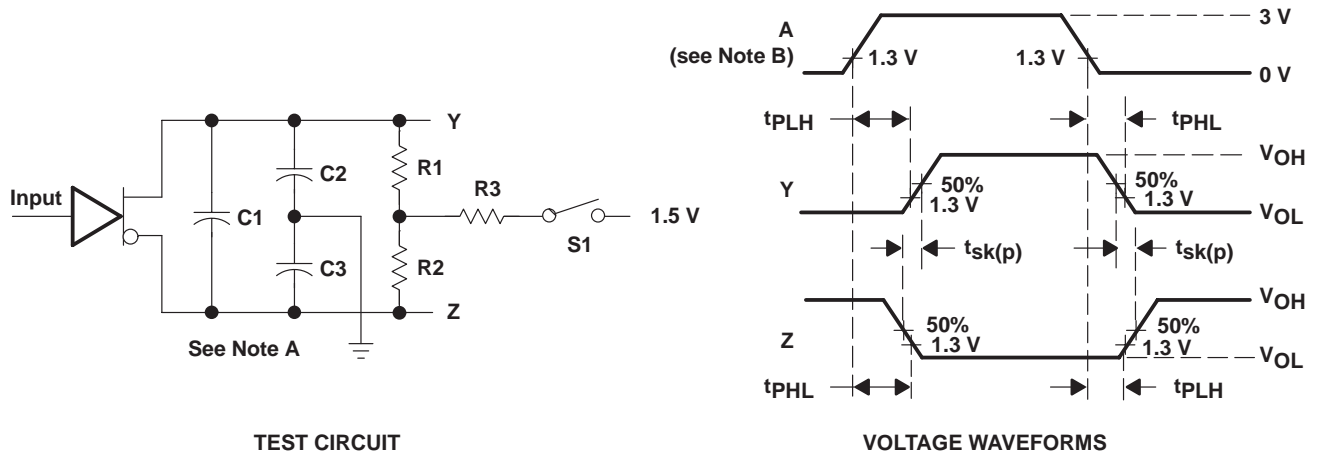
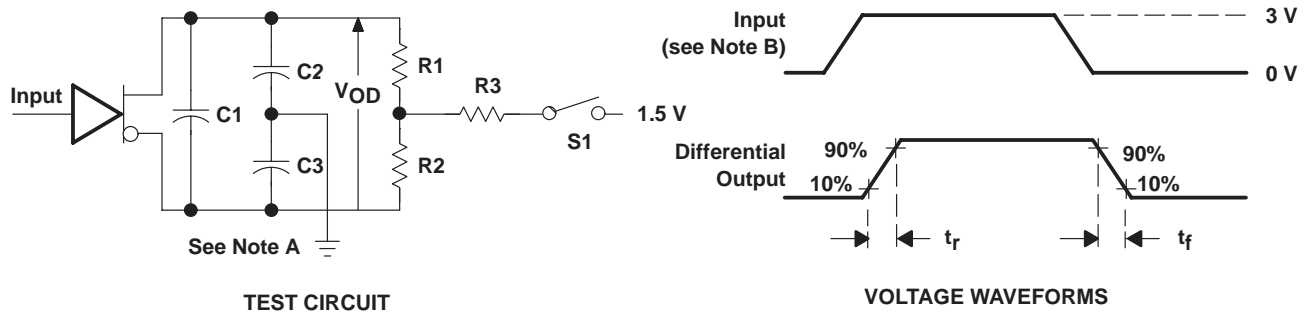


Figure 1. Driver Test Circuit, V_{OD} and V_{OC}



NOTES: A. C1, C2, and C3 include probe and jig capacitance.
B. The input pulse is supplied by a generator having the following characteristics: PRR = 1 MHz, duty cycle = 50%, $t_r = t_f \leq 6$ ns.

Figure 2. Driver Test Circuit and Voltage Waveforms



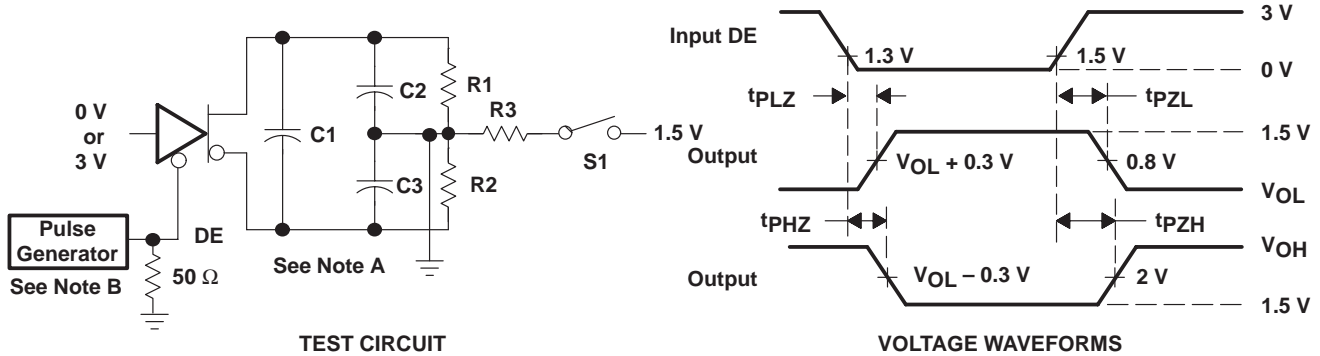
NOTES: A. C1, C2, and C3 include probe and jig capacitance.
B. The input pulse is supplied by a generator having the following characteristics: PRR = 1 MHz, duty cycle = 50%, $t_r = t_f \leq 6$ ns.

Figure 3. Driver Test Circuit and Voltage Waveforms

SN75C1167, SN75C1168 DUAL DIFFERENTIAL DRIVERS AND RECEIVERS

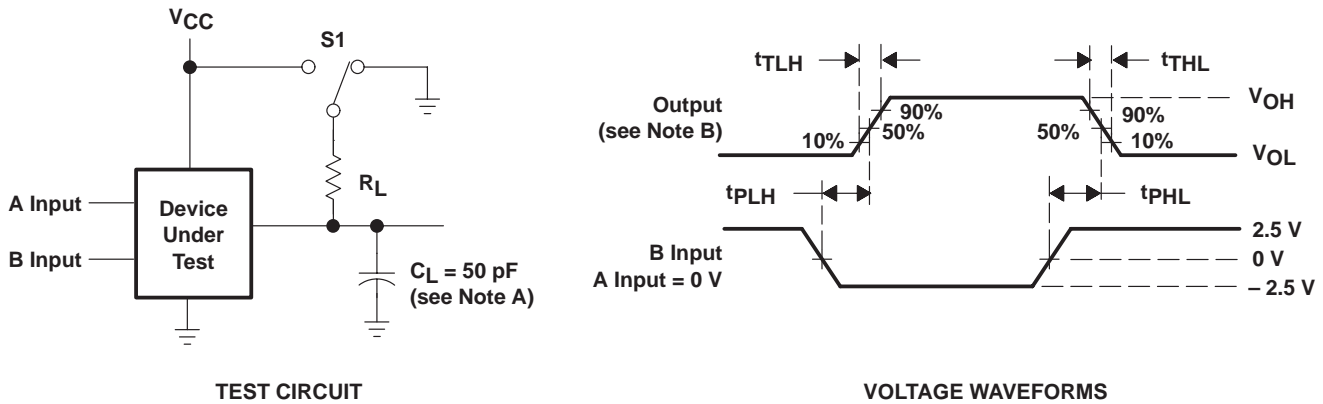
SLLS159C – MARCH 1993 – REVISED APRIL 1998

PARAMETER MEASUREMENT INFORMATION



- NOTES: A. C1, C2, and C3 include probe and jig capacitance.
 B. The input pulse is supplied by a generator having the following characteristics: PRR = 1 MHz, duty cycle = 50%, $t_r = t_f \leq 6$ ns.

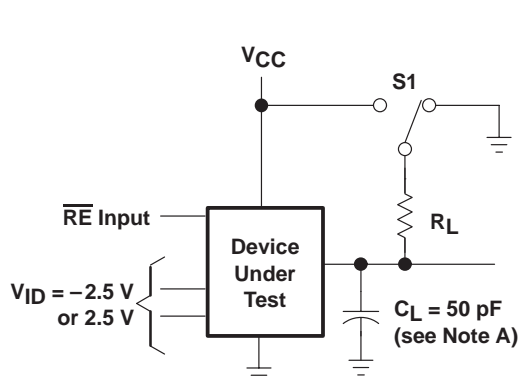
Figure 4. Driver Test Circuit and Voltage Waveforms



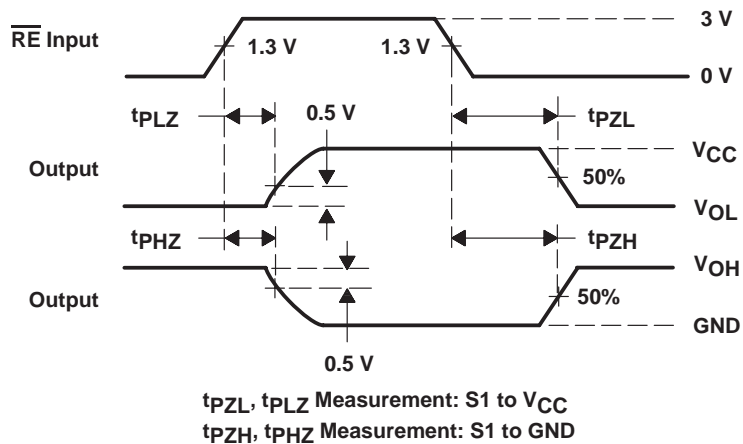
- NOTES: A. C_L includes probe and jig capacitance.
 B. The pulse generator has the following characteristics: PRR \leq 1 MHz, duty cycle = 50%, $t_r = t_f \leq 6$ ns.

Figure 5. Receiver Test Circuit and Voltage Waveforms

PARAMETER MEASUREMENT INFORMATION



TEST CIRCUIT



VOLTAGE WAVEFORMS

- NOTES: A. C_L includes probe and jig capacitance.
B. The pulse generator has the following characteristics: $PRR \leq 1 \text{ MHz}$, duty cycle = 50%, $t_r = t_f \leq 6 \text{ ns}$.

Figure 6. Receiver Test Circuit and Voltage Waveforms

IMPORTANT NOTICE

Texas Instruments and its subsidiaries (TI) reserve the right to make changes to their products or to discontinue any product or service without notice, and advise customers to obtain the latest version of relevant information to verify, before placing orders, that information being relied on is current and complete. All products are sold subject to the terms and conditions of sale supplied at the time of order acknowledgement, including those pertaining to warranty, patent infringement, and limitation of liability.

TI warrants performance of its semiconductor products to the specifications applicable at the time of sale in accordance with TI's standard warranty. Testing and other quality control techniques are utilized to the extent TI deems necessary to support this warranty. Specific testing of all parameters of each device is not necessarily performed, except those mandated by government requirements.

CERTAIN APPLICATIONS USING SEMICONDUCTOR PRODUCTS MAY INVOLVE POTENTIAL RISKS OF DEATH, PERSONAL INJURY, OR SEVERE PROPERTY OR ENVIRONMENTAL DAMAGE ("CRITICAL APPLICATIONS"). TI SEMICONDUCTOR PRODUCTS ARE NOT DESIGNED, AUTHORIZED, OR WARRANTED TO BE SUITABLE FOR USE IN LIFE-SUPPORT DEVICES OR SYSTEMS OR OTHER CRITICAL APPLICATIONS. INCLUSION OF TI PRODUCTS IN SUCH APPLICATIONS IS UNDERSTOOD TO BE FULLY AT THE CUSTOMER'S RISK.

In order to minimize risks associated with the customer's applications, adequate design and operating safeguards must be provided by the customer to minimize inherent or procedural hazards.

TI assumes no liability for applications assistance or customer product design. TI does not warrant or represent that any license, either express or implied, is granted under any patent right, copyright, mask work right, or other intellectual property right of TI covering or relating to any combination, machine, or process in which such semiconductor products or services might be or are used. TI's publication of information regarding any third party's products or services does not constitute TI's approval, warranty or endorsement thereof.