

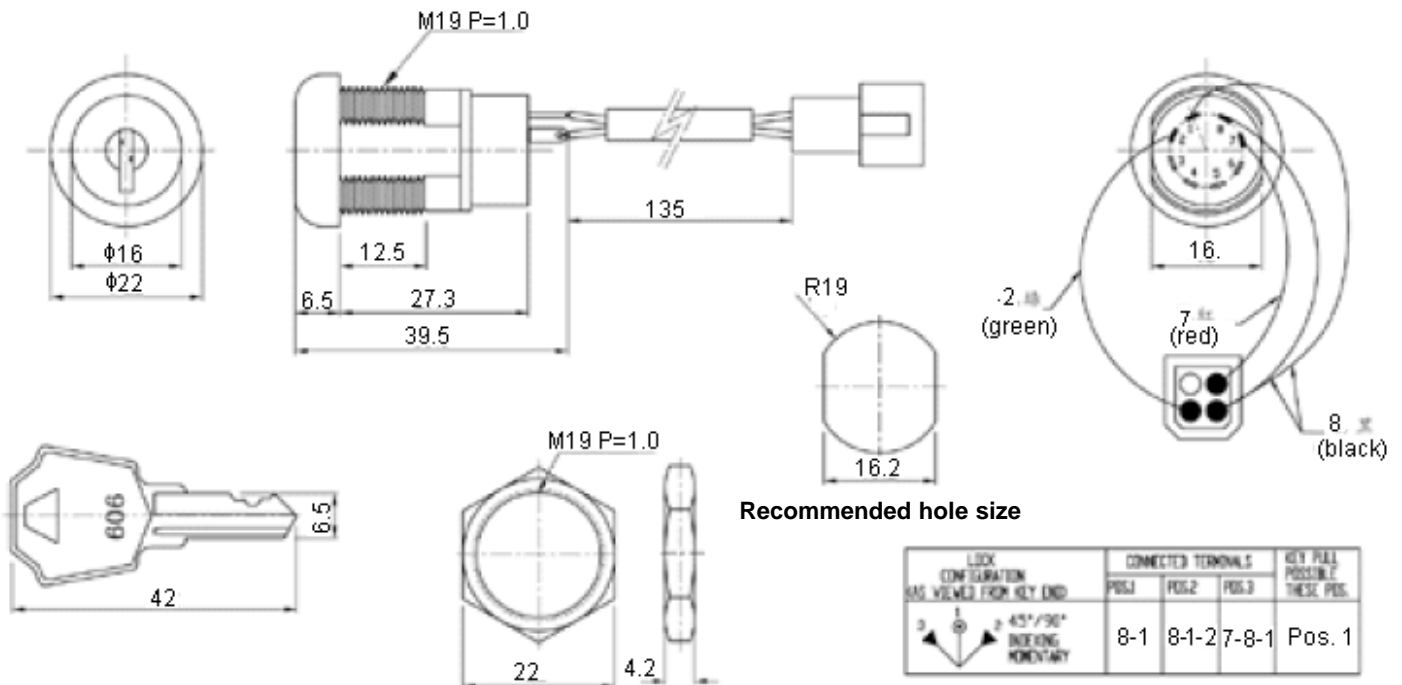
Keylock Switches



Specifications:

Contact rating	: 4A @ 125V ac, 2A @ 250V ac, 4A @ 28V dc (UL/CUL).
Maximum contact resistance	: 10mΩ.
Minimum insulation resistance	: 500MΩ (500V dc).
Dielectric strength	: 1,500V ac at 1 minute.
Lock	: Bright nickel plated zinc alloy with nickel facing.
Tumbler mechanism	: 4-disc tumbler cylinder.
Keys	: Brass with code number.
Contacts	: Golden plated Cu (Q contact material).
Terminals	: Golden plated Cu (Q contact material).

Dimensions

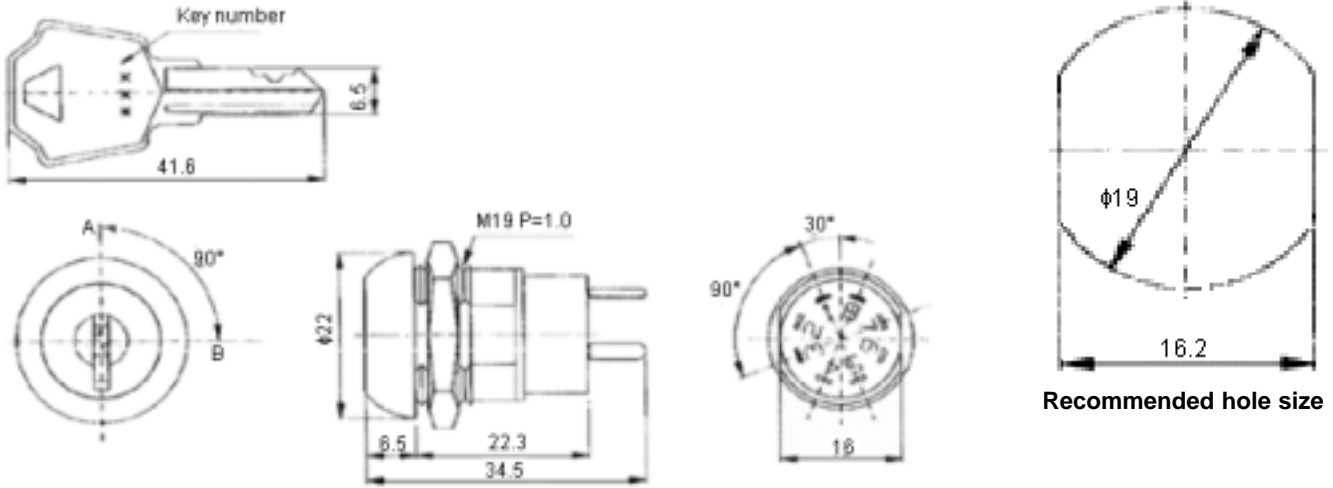


Recommended hole size

LOCK CONFIGURATION AS VIEWED FROM KEY END	CONNECTED TERMINALS			KEY WILL POSSIBLY TRIP THESE POS.
	POS.1	POS.2	POS.3	
	8-1	8-1-2	7-8-1	Pos. 1

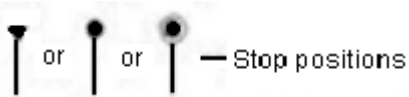
S215E-SP

Keylock Switches



S216R

- ▼ - Momentary position (45°)
- - Detent positions (45° or 90°)
- - Key pull possible in these positions



Model/Switch and Function of S215

Lock Configuration CAS Viewed from Key End	Model No. No. of Poles	Connected Terminals					Key Pull Possible Positions
		POS.1	POS.2	POS.3	POS.4	POS.5	
 45° indexing momentary	S215-A SP S215-B DP	8-1 8-1 4-5	1-2 1-2 5-6	-			POS. 1
	S215-C SP S215-D DP		7-8 7-8 3-4	-			
	S215-E SP S215-F DP		1-2 1-2 5-6	7-8 7-8 3-4			
 45°/90° indexing momentary	S215-G SP	7-1	1-2	6-7	-	-	POS. 1 POS. 3
	S215-H SP	8-1	7-8	1-3			
 45° indexing momentary	S215-I SP S215-J DP	8-1 8-1 4-5	1-2 1-2 5-6	7-8 7-8 3-4			POS. 1
	S215-K SP S215-L DP		7-8 7-8 3-4	1-2 1-2 5-6			



Keylock Switches



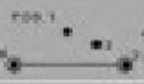
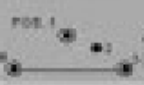


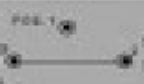
- - Detent positions (45° or 90°)
- - Key pull possible in these positions

Model/Switch and Function of S216

Lock Configuration CAS Viewed from Key End	Model No. No. of Poles	Connected Terminals					Key Pull Possible Positions
		POS.1	POS.2	POS.3	POS.4	POS.5	
	A SP B DP						POS. 1
	C SP D DP			2-3 2-3 6-7			POS. 3
	E SP F DP	8-1 8-1 4-5	1-2 1-2 5-6		-	-	POS. 1 POS. 3
	G SP H SP			7-8 7-8 3-4			POS. 1
	I SP J DP						POS. 1 POS. 2 POS. 3
	K SP						POS. 1
	L SP	8-1	1-2	2-3	7-8	6-7	POS. 3 POS. 5
	M SP						POS. 1 POS. 3 POS. 5
	N SP O DP						POS. 1
	P SP Q DP	8-1 8-1 4-5	1-3 1-3 5-7	-	-		POS. 2
	R SP S DP						POS. 1 POS. 2
	T SP						POS. 1
	U SP	8-1	1-3	7-8	6-7		POS. 2 POS. 4
	V SP						POS. 1 POS. 2 POS. 4
	Y SP	7-1	1-2	2-3			POS. 1

Keylock Switches



 	45°/90° indexing	Z SP	7-1	1-2	2-3	6-7	-	POS. 3 POS. 4
		A1 SP		POS. 1 POS. 3 POS. 4				
  	90° indexing	B1 SP		POS. 1				
		C1 SP		POS. 2 POS. 3				
		D1 SP		POS. 1 POS. 2 POS. 3				

Part Number Table

Description	Part Number
Keyswitch, DPST, 3 Pos, MOM, RDM	S215E-SP
Keyswitch, DPST, 2 Pos, RDM, 2 Keypull	S216R

Disclaimer This data sheet and its contents (the "Information") belong to the Premier Farnell Group (the "Group") or are licensed to it. No licence is granted for the use of it other than for information purposes in connection with the products to which it relates. No licence of any intellectual property rights is granted. The Information is subject to change without notice and replaces all data sheets previously supplied. The Information supplied is believed to be accurate but the Group assumes no responsibility for its accuracy or completeness, any error in or omission from it or for any use made of it. Users of this data sheet should check for themselves the Information and the suitability of the products for their purpose and not make any assumptions based on information included or omitted. Liability for loss or damage resulting from any reliance on the Information or use of it (including liability resulting from negligence or where the Group was aware of the possibility of such loss or damage arising) is excluded. This will not operate to limit or restrict the Group's liability for death or personal injury resulting from its negligence. SPC Multicomp is the registered trademark of the Group. © Premier Farnell plc 2009.