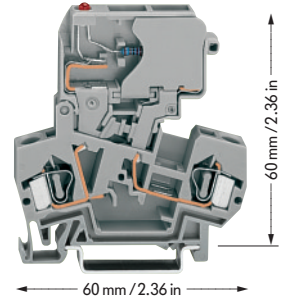
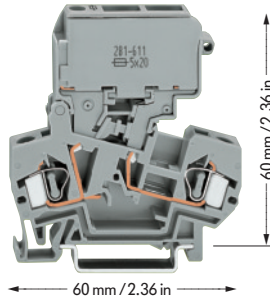


Fused Disconnect Terminal Blocks 4 mm² / AWG 12, for Miniature Metric Fuses 5 x 20 mm, 5 x 25 mm, 5 x 30 mm Series 281

<p>0.08 – 4 mm² AWG 28 – 12 800 V/8 kV/3 ① ② 600 V, 10 A ② ③ ④</p> <p>Terminal block width 8 mm / 0.315 in 9 – 10 mm / 0.37 in</p> <p>* ① ② ③ ④ ⑤ ⑥ ⑦ ⑧ ⑨ ⑩ ⑪ ⑫ ⑬ ⑭ ⑮ ⑯ ⑰ ⑱ ⑲ ⑳ ㉑ ㉒ ㉓ ㉔ ㉕ ㉖ ㉗ ㉘ ㉙ ㉚ ㉛ ㉜ ㉝ ㉞ ㉟ ㊱ ㊲ ㊳ ㊴ ㊵ ㊶ ㊷ ㊸ ㊹ ㊺ ㊻ ㊼ ㊽ ㊾ ㊿</p>	<p>0.08 – 4 mm² AWG 28 – 12 800 V/8 kV/3 ① ② 30/65 V, 10 A ② ③ ④</p> <p>Terminal block width 8 mm / 0.315 in 9 – 10 mm / 0.37 in</p> <p>* ① ② ③ ④ ⑤ ⑥ ⑦ ⑧ ⑨ ⑩ ⑪ ⑫ ⑬ ⑭ ⑮ ⑯ ⑰ ⑱ ⑲ ⑳ ㉑ ㉒ ㉓ ㉔ ㉕ ㉖ ㉗ ㉘ ㉙ ㉚ ㉛ ㉜ ㉝ ㉞ ㉟ ㊱ ㊲ ㊳ ㊴ ㊵ ㊶ ㊷ ㊸ ㊹ ㊺ ㊻ ㊼ ㊽ ㊾ ㊿</p>
--	--

- ① 800 V = rated voltage
8 kV = rated surge voltage
3 = pollution degree
(see also section 15)
- ② Nominal voltage and current are given by the LED or fuse
Technical details see pages 7.38 – 7.39
- ③ Leakage current in case of blown fuse:
LED 6 mA, neon lamp < 0.4 mA



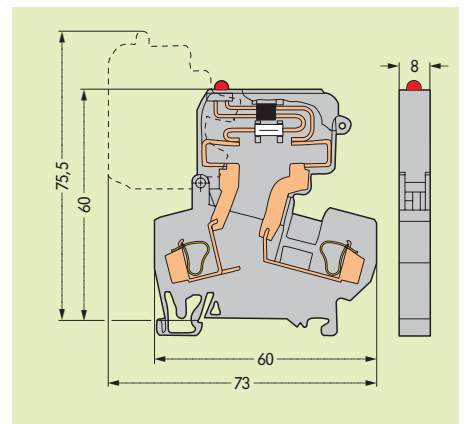
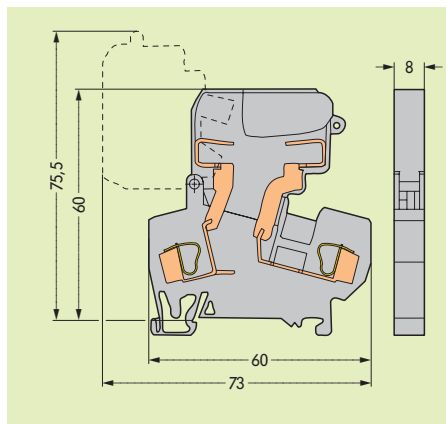
Description	Item No.	Pack. unit pcs	Item No.	Pack. unit pcs
Fused disconnect terminal block with pivotable fuse holder, for DIN 35 rail, for miniature metric fuses	without blown fuse indication		with blown fuse indication by LED	
5 x 20 mm	grey	281-611	50	grey 15 – 30 V ≈ ③ 281-611/281-541
5 x 20 mm	orange	281-616	50	grey 30 – 65 V ≈ ③ 281-611/281-542
5 x 25 mm	grey	281-612	50	grey 15 – 30 V ≈ ③ 281-612/281-541
5 x 25 mm				grey 30 – 65 V ≈ ③ 281-612/281-542
5 x 30 mm	grey	281-622	50	grey 15 – 30 V ≈ ③ 281-622/281-541
5 x 30 mm				grey 30 – 65 V ≈ ③ 281-622/281-542

Accessories

Appropriate marking system **WMB/WSB** (see section 14)

	End and intermediate plate	2.5 mm / 0.098 in thick		2.5 mm / 0.098 in thick	
		orange	281-309	100 (4 x 25)	orange 281-309
		grey	281-311	100 (4 x 25)	grey 281-311
	Adjacent jumper, insulated	I _N 32 A		I _N 32 A	
		grey	281-402	200 (8 x 25)	grey 281-402
	Test plug adapter, suitable for terminal blocks 1.5 mm² – 4 mm²/AWG 16 – 12	5 mm / 0.197 in wide		5 mm / 0.197 in wide	
		for test plug 210-137 (2.3 mm / 0.091 in Ø)	280-404	100 (4 x 25)	280-404
	Test plug, 6 mm / 0.236 in wide, with CAGE CLAMP® for 0.08 mm² – 2.5 mm²/AWG 28-14	I _N 24 A		I _N 24 A	
			281-407	100 (4 x 25)	281-407
	Connecting strip, for ganging several fuse holders, length 1 m / 3'3"	transparent	210-254	1	transparent 210-254
	Miniature metric fuse		contact factory		contact factory

Dimensions (in mm)



* For further approvals with corresponding ratings see section 15.