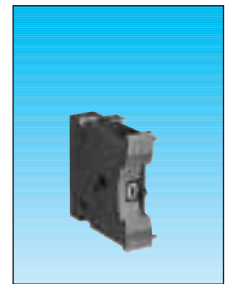


Thumbwheel switches



Electrical characteristics

Assigned working voltage	0.1 → 50 V _~
	0.1 → 50 V ₌₌
Nominal load current	0.1 → 100 mA
Max. non-switchable current	1 A
Max. internal resistance	200 m Ω
Min. insulation resistance	10 ⁵ M Ω
- between tracks	600 V _~
- between tracks and grounds	2500 V _~

Mechanical characteristics

Electrical durability (operations)	10 ⁶
Vibration resistance	2000/10
according to NFC 20616	

Environmental characteristics

Ambient operating temperature	- 25 + 70°C
Ambient storage temperature	- 40 + 85°C

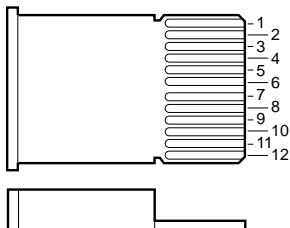
Standard codes

Type of tracks		M01										
		C	0	1	2	3	4	5	6	7	8	9
A	M01*	1	11	10	9	8	7	6	5	4	3	2
	M01	12	11	10	9	8	7	6	5	4	3	2
B	0	●										
	1	●	●									
	2	●		●								
	3	●			●							
	4	●				●						
	5	●					●					
	6	●						●				
	7	●							●			
	8	●								●		
	9	●									●	

Type of tracks		M02				
		C	1	2	4	8
A	M02*	1	9	7	5	3
	M02	9	8	7	6	5
B	0	●				
	1	●				
	2	●	●			
	3	●		●		
	4	●			●	
	5	●	●	●	●	
	6	●	●	●	●	
	7	●	●	●	●	
	8	●	●	●	●	●
	9	●	●	●	●	●

Output layout

A - Position on printed circuit
 B - Dial setting
 * For 84 214 only



Features

Miniature, starwheel

Compatible with display module	—
Front mounting	●

Types

Standard 10-position module	84 210 0
-----------------------------	----------

Standard codes

Decimal	M 01	●
BCD	M 02	●

Circuits

Short	C	●
-------	---	---

Case

Grey	G	●
Black	N	●

Connections

For soldering or for connector	S	●
--------------------------------	---	---

Mounting accessories

Pair of end caps (with clips)			
	Grey	JE/G	79 211 709
	Grey	MI/G	79 211 738
Separator module (with clips)			
	Grey	MS/G	79 211 752

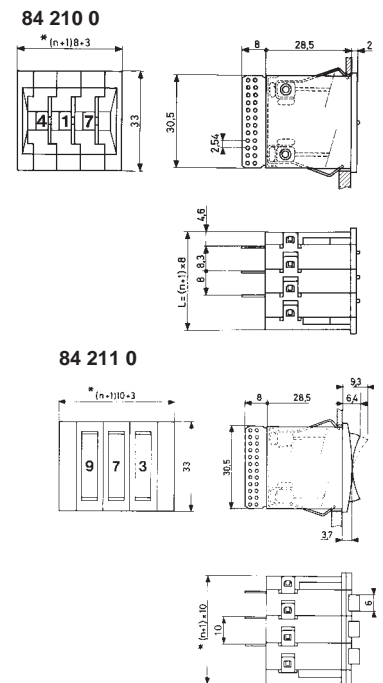
Connectors

Solder terminals	W2	25 625 493
Wire-wrap terminals with lugs	X2	25 625 494
Wire-wrap terminals without lugs	X2	25 625 492
For soldering to printed circuit	X3	25 625 495

Mechanical characteristics

Operating force	N	3
Digit dimensions (H x L)	mm	4.5 x 2.8
Weight	g	5.5

Dimensions



Other information

For other versions, codes, colours, cases, wheels : please consult us.

