



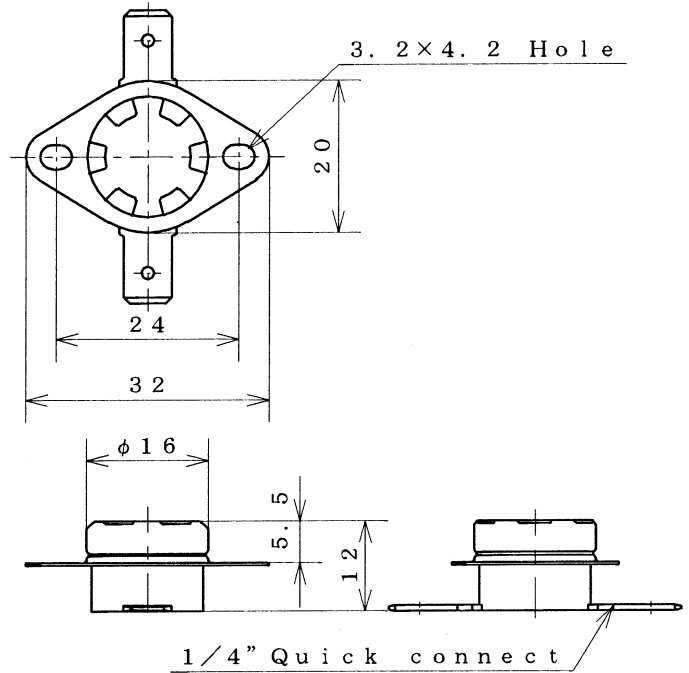
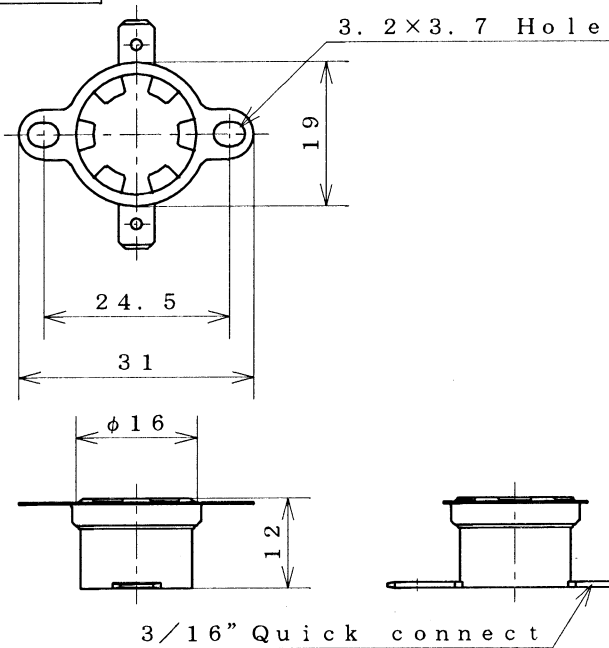
1/2" Disc Type Thermostat

High Temp. Type

Type 5 2 N

UL·C·UR·VDE
Recognized

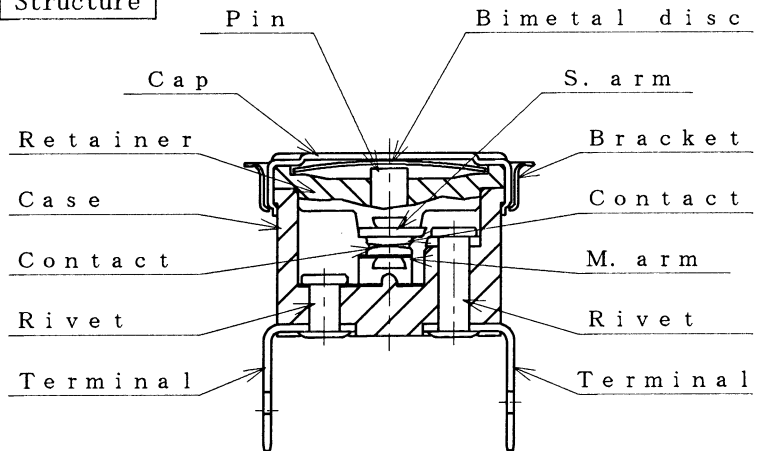
Dimensions



Materials of parts

Part	Material
Cap	Aluminum
	Copper
	Stainless steel
Case	Ceramic
M. arm	Beryllium Copper alloy
Terminals	Brass, Steel
Bracket	Stainless steel
Contacts	Silver-Nickel alloy

Structure



Specifications

Item	Specification
1. Basic features	SPST Automatic reset
2. Operation	A: Contacts open on temperature rise B: Contacts close on temperature rise
3. Electrical rating	UL, CSA: AC125V/15A AC250V/10A VDE: AC250V/10A
4. Calibration method	Hot & cold air circulation system
5. Temperature rating	Operating temperature Max. 200°C 230°C
6. Insulation resistance	Not less than 1000MΩ/DC500V
7. Dielectric strength	Not less than AC1500V/1min. or AC1800V/1sec.

Standard

UL·C·UR 873 C22.2 No. 24 UL File No. E43273
DIN EN 60730-1,-2-9 VDE Licence No. 100896