

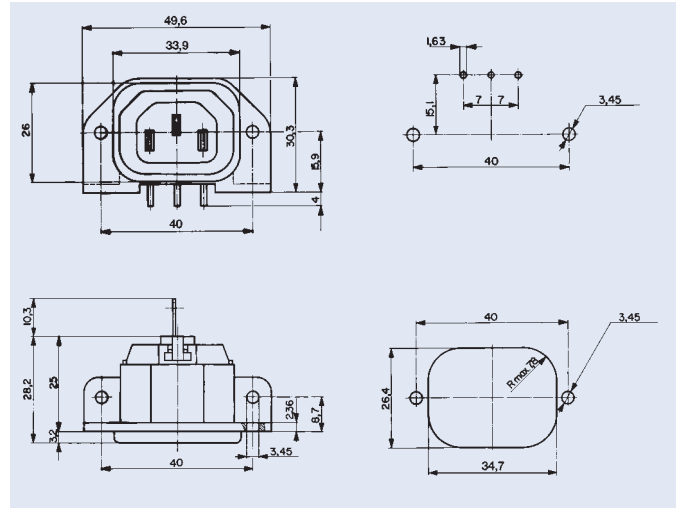
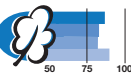
APPLIANCE COUPLERS

P675/PC

Appliance inlets/-outlets

**Appliance outlet
P675/PC**

for PCB mounting
– screw on
Pin temperature 70 °C
Protection class I



Technical data:

- Rated current/voltage: 10 A / 250 VAC
- Insulation resistance: > 100 MΩ (500 VDC, 1 Min.)
- Dielectric strength: 2 kV (50 Hz, 1 Min.) (between terminals)
- Material:
 - Socket: thermoplastic, black, UL 94V-0

Standards

Protection class I
IEC/EN 60320-2-2/F

Approvals

- SEV (10 A / 250 VAC)
- VDE (10 A / 250 VAC)
- SEMKO (10 A / 250 VAC)

- UL (15 A / 250 VAC)
- CSA (15 A / 250 VAC)

Order Numbers

4300.0251