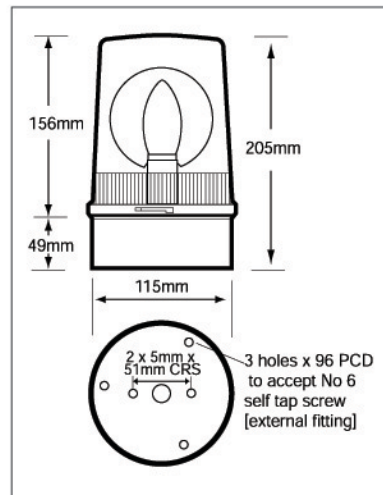


## ROTATING BEACONS



Code No:	Voltage:	Light Source:	Current:
R201-13	12v Dc ---	H1 x 55w	4.70 A
R201-14	24v Dc ---	H1 x 70w	3.00 A
R201-29¥	24v Dc ---	Ba 15s x 10w	0.60 A
R201-60	12v Dc ---	Ba15d x 21w	1.85 A
R201-61¥	24v Dc ---	Ba15d x 21w	0.95 A
R201-62	12v Dc ---	Ba15d x 48w	4.00 A
R201-63	24v Dc ---	Ba15d x 48w	2.00 A
R201-64	48v Dc ---	Ba15d x 25w	0.55 A
R200-03	24v Ac ~	Ba15d x 48w	2.00 A
R200-02	48v Ac ~	Ba15d x 25w	0.55 A
R200-04#	115v Ac ~	Ba15d x 60w	0.55 A
R200-05#	230v Ac ~	Ba15d x 60w	0.29 A



¥ Diode Polarised # Magnetic Base [MB] Version Available

01

02

03

04

05



C -10+66

IP 65



50 Hz



Fire

Kg 0.83



r.p.m.160±30DC



r.p.m.120AC

**MOFLASH**  
**SIGNALLING LTD**

Unit 18, Klaxon Industrial Estate  
Warwick Road, Tyseley,  
Birmingham B11 2HA  
England

Email: sales@moflash.co.uk  
Web: <http://www.moflash.co.uk>  
Tel: +44 (0) 121 707 6681  
Fax: +44 (0) 121 707 8305