


IMO

A range of Sockets for octal and 11 pin base, miniature and sub-miniature plug-in Power Relays

- Current ratings up to 16A
- Flame-retardant/self-extinguishing mouldings
- Retaining clips available
- UL / CSA approvals

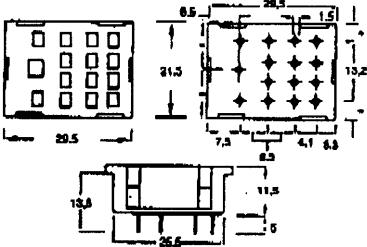


Part Number	SRP144	ZS154	ZRM3	ZRM5
Number of terminals	14	14	5	8
Terminal type	Printed circuit	Solder	Printed circuit	Solder
Rating	10A / 250V		16A 250V	10A/250V
Dielectric strength	>1.5Kv			
Temperature range	-40 to + 70 C			




307-9715

SRP144

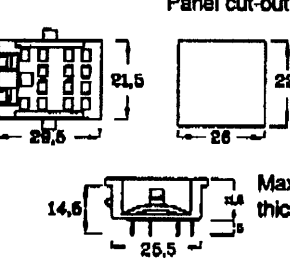


1	2	3	4
•	•	•	•
5	6	7	8
•	•	•	•
9	10	11	12
•	•	•	•
A			B
13			14
•			•

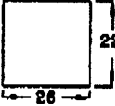
BOTTOM VIEW



ZS154



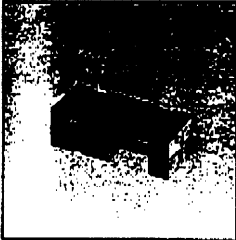
Panel cut-out



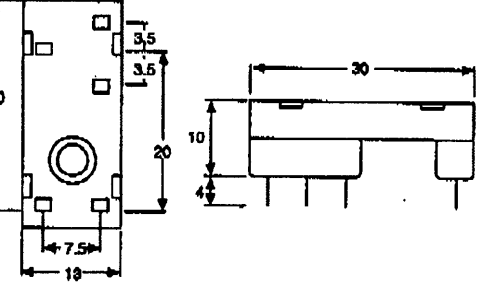
Maximum panel thickness - 2mm

1	2	3	4
•	•	•	•
5	6	7	8
•	•	•	•
9	10	11	12
•	•	•	•
A			B
13			14
•			•

BOTTOM VIEW




ZRM3

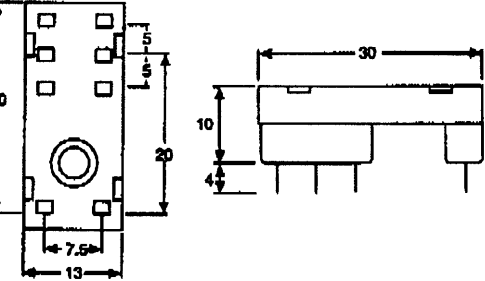


	3		
	•		4
		2	
		•	
		1	5
		•	

BOTTOM VIEW



ZRM5



	4	5
	•	•
	3	6
	•	•
	2	7
	•	•
	1	8
	•	•

BOTTOM VIEW

IMO Precision Controls Ltd.
 1000 North Circular Road, Staples Corner, London, NW2 7JP.
 TEL. 020-8452-6444, FAX 020-8450-2274, Email imo@imopc.com