

DC 12025



SIZE :

120x120x25mm (4.72"x4.72"x0.98")

CONSTRUCTION :

Glass fiber reinforced plastic:

Impeller and housing PBT are UL 94V-0 rating

OPERATING TEMPERATURE :

Ball bearing -30°C to +75°C

Sleeve bearing -10°C to +70°C

INSULATION RESISTANCE :

10meg Ohm min. at 500 VDC

(between frame and terminal)

DIELECTRIC STRENGTH :

5mA max. at 500 VAC 60Hz one minute

(between frame and terminal)

FUNCTION :

frequency generator or rotation detection signal option

WEIGHT :

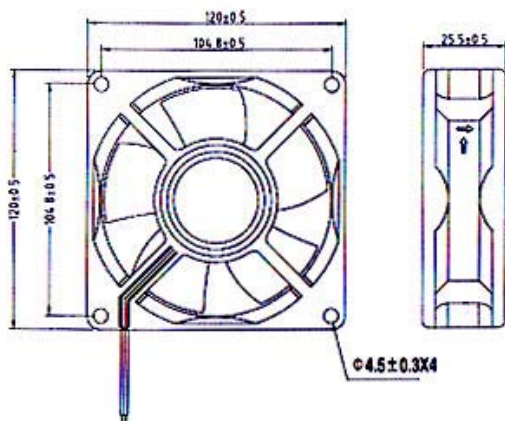
150 grams

Specifications

Specifications are subject to change without notice

| MODEL NO. | BEARING | RATED VOLTAGE | OPERATING VOLTAGE RANGE | RATED CURRENT | RATED INPUT POWER | SPEED R.P.M. | MAX. AIR FLOW | | MAX. AIR PRESSURE | | NOISE dB-A |
|------------|---------|---------------|-------------------------|---------------|-------------------|-----------------|---------------------|-------|--------------------|---------------------|---------------|
| | | VDC | V | A | W | | m ³ /min | CFM | mmH ₂ O | IN H ₂ O | |
| BP1202512L | Ball | 12 | 10.2-13.8 | 0.14 | 1.68 | 2000 | 1.738 | 61.40 | 2.90 | 0.114 | 38 |
| SP1202512L | Sleeve | | | | | | | | | | |
| BP1202524L | Ball | 24 | 20.4-27.6 | 0.10 | 2.40 | 2000 | 1.738 | 61.40 | 2.90 | 0.114 | 38 |
| SP1202524L | Sleeve | | | | | | | | | | |
| BP1202512M | Ball | 12 | 10.2-13.8 | 0.25 | 3.00 | 2500 | 2.108 | 74.50 | 3.80 | 0.150 | 43.84 |
| SP1202512M | Sleeve | | | | | | | | | | |
| BP1202524M | Ball | 24 | 20.4-27.6 | 0.18 | 4.32 | 2500 | 2.108 | 74.50 | 3.80 | 0.150 | 43.84 |
| SP1202524M | Sleeve | | | | | | | | | | |
| BP1202512H | Ball | 12 | 10.2-13.8 | 0.38 | 4.56 | 3000 | 2.499 | 88.30 | 4.80 | 0.189 | 48.32 |
| SP1202512H | Sleeve | | | | | | | | | | |
| BP1202524H | Ball | 24 | 20.4-27.6 | 0.24 | 5.76 | 3000 | 2.499 | 88.30 | 4.80 | 0.189 | 48.32 |
| SP1202524H | Sleeve | | | | | | | | | | |

Dimensions (mm)



Performance Curve

