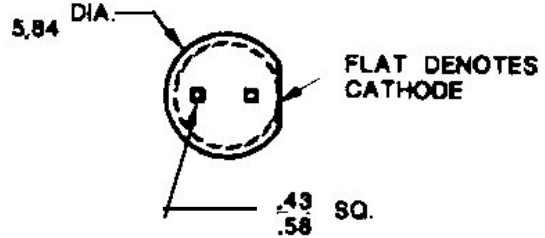
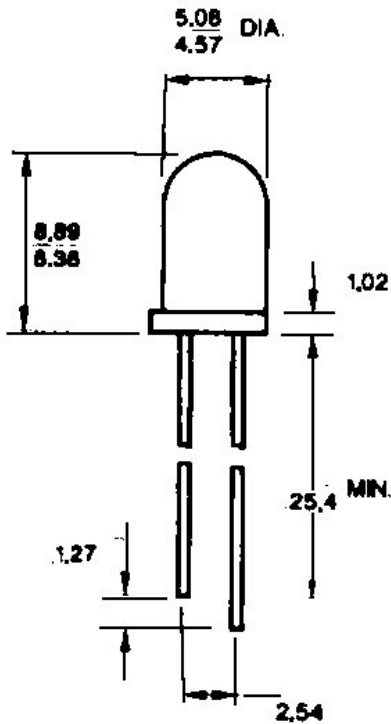


**PRODUCT  
DATA SHEET**



SLI Miniature Lighting

Type	Size	Rating	Description	Part No.
LED	T-1 1/4	-	Standard Red LED	CMD5055



**NOTES:**

1. ALL DIMENSIONS ARE IN
2. TOLERANCES ARE 0.25mm UNLESS SPECIFIED
3. AN EPOXY MENISCUS MAY EXTEND ABOUT 1mm DOWN THE LEADS

Emitted colour	Lens colour	Luminous intensity mcd @ 20mA		Forward voltage @ 20mA		Peak $\lambda$ nm	Capacitance pF	View angle °	Maximum ratings			
		Min	Typ	Typ	Max				$I_f$ (mA)	Peak $I_f$ (mA)	$P_D$ (mW)	$V_R$
Red	Red diff	0.1	-	2.2	-	660	30	150	100	1000	180	5.0

**NOTES:**

- 1 Lead solder time @ 260°C 5 seconds
- 2 Operating temperature range -55°C to +100°C  
Storage temperature range -55°C to +100°C

Issue No.	Date	C.N. No.	Drawn	Tech	QA	M & P	Sales
1	05/02/03	-	BCW				