

# MICRO SWITCH

FREEPORT ILLINOIS, U.S.A  
A DIVISION OF HONEYWELL

FED. MFG. CODE 91929

# SWITCH-BASIC

CATALOG LISTING

## BZ-3A55T

BZ-3A55T

M

DRAWING NUMBER

4

ISSUE

REPLACES

PR-3609

RELEASE NO.

CHECK

REVISIONS

A CO-78656-B  
JALA  
25 JUL 95

CHECK

18 OCT 73

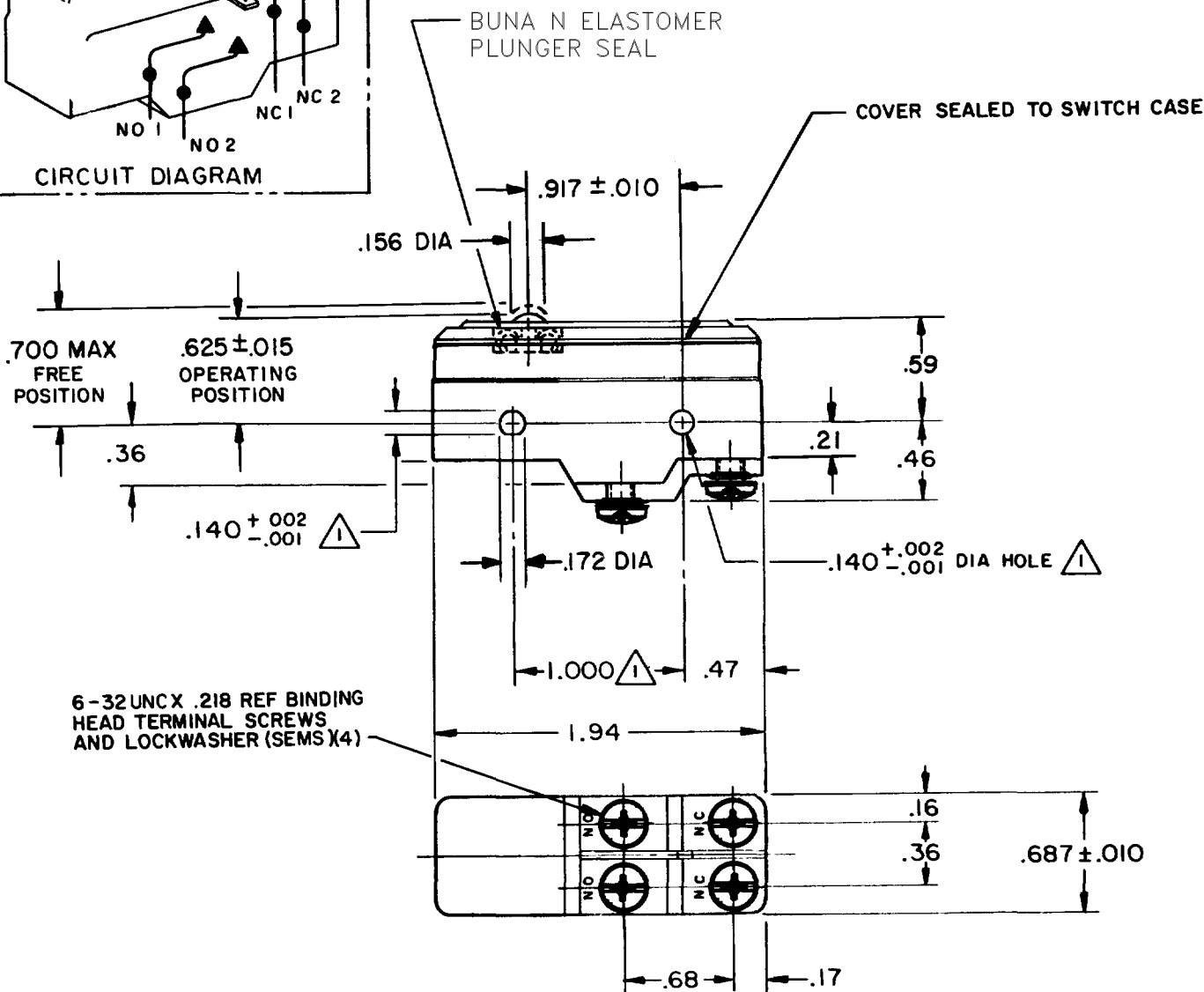
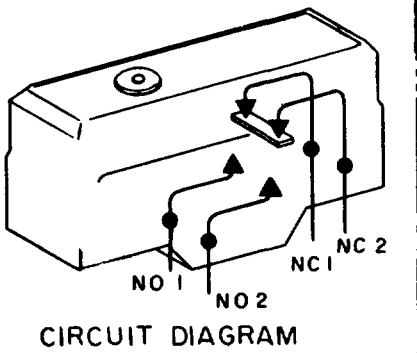
73 CHECK

DAW

15 OCT

R C

FORMTEK



NOTE-

- △ MOUNTING HOLES WILL ACCEPT PINS OR SCREWS OF .139 MAX DIA ON 1.000 ± .002 CENTERS
- 2 - SUITABLE ONLY FOR APPLICATIONS IMPARTING A RAPID STROKE TO THE SWITCH PLUNGER

THIS DRAWING COVERS A PROPRIETARY ITEM AND IS THE PROPERTY OF MICRO SWITCH, A DIVISION OF HONEYWELL. THIS DRAWING IS NOT TO BE COPIED OR USED WITHOUT THE APPROVAL OF MICRO SWITCH.

### CHARACTERISTICS

OPERATING FORCE ----- 16-28 OZ

RELEASE FORCE ----- 4 OZ MIN

DIFFERENTIAL TRAVEL --- .0020-.0055

OVERTRAVEL ----- .005 MIN

### ELECTRICAL DATA

CONTACT ARRANGEMENT  
(SEE CIRCUIT DIAGRAM)

UNDERWRITERS' LAB. INC. LISTED RATING  
-L73- 15A-125, 250 OR 480 VAC  
1A-125 VDC; 0.5A-250 VDC  
1/4HP-125 VAC; 1/2HP-250 VAC



### SCALE FULL

DO NOT SCALE PRINT

UNLESS OTHERWISE NOTED  
DIMENSIONS ARE IN INCHES  
**TOLERANCES ARE**

ONE PLACE (.0) ± .030  
TWO PLACE (.00) ± .015  
THREE PLACE (.000) ± .005  
ANGLES ±

WEIGHT