

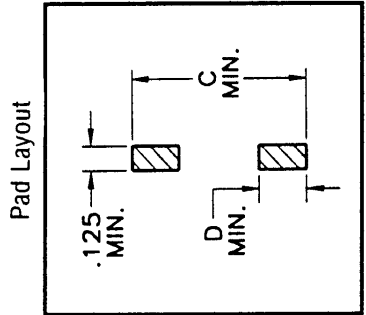
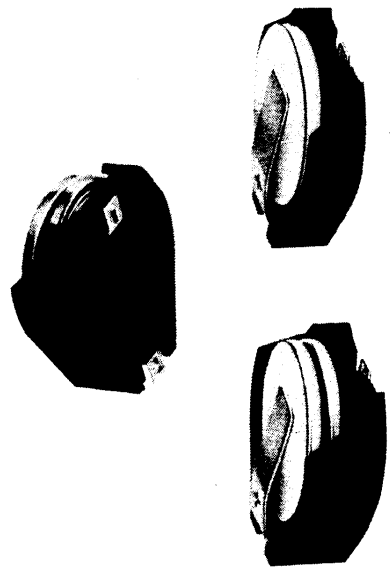
302 9773.

3003	2	THM	.821	.371	.886	.145	.256	.062	.400	.093	20mm	BK2016, CR2016, DL2016, BK2020, CL2020, CL2025, CR2025, DL2025, DR2032, CR2032, DL2032
3004	1	SMT	.939	.371	1.339	.145	.200	.093	.200	.093	23mm	BR2320, CL2320, CR2320, BR2325, CR2325, DL2325, BR2330, CL2330
3005	2	THM	.939	.371	1.004	.145	.256	.062	.200	.093	24mm	CR2430, DL2430
3006	1	SMT	1.000	.371	1.400	.145	.200	.093	.200	.093		
3007	2	THM	1.000	.371	1.065	.145	.256	.062	.200	.093		

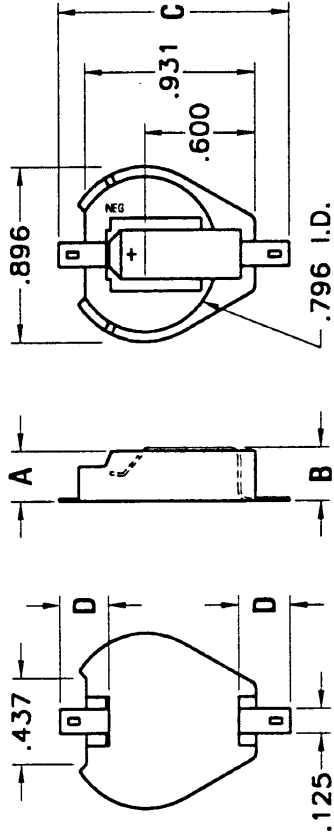
## SURFACE MOUNT COIN CELL HOLDERS

### SMT Design - Single and Dual Holders for 20mm Lithium Coin Cell Batteries

- Accepts all major manufacturers' 20mm diameter batteries
- Low profile for high density packaging
- Ideal for memory back up applications
- Polarity clearly marked
- UL approved material, 94V-0
- Rugged construction, light weight
- Compatible with vacuum and mechanical pick & place assembly systems
- Temp. range -60°F to +540°F [-50°C to +282°C]
- SMT solder tail with "Flow-Hole" design for increased strength
- "Flow-Hole" solder tail design for increased joint strength
- Viewable solder tails assures reliable joint inspection
- Safe for all soldering & reflow operations
- Tray, tube and special packaging available



SMALL PAD PATTERN						
CAT. NO.	CELLS	A	B	C	D	BATTERY
1061	1	.256	.286	1.015	.156	CR2016†
1062	2	.375	.406	1.015	.156	DL2016†
Cat. No. 1061 (1 or 2 cells); Cat. No. 1062 (3 cells)						
LARGE PAD PATTERN						
CAT. NO.	CELLS	A	B	C	D	BATTERY
1063	1	.256	.286	1.250	.278	CR2025
1064	2	.375	.406	1.250	.278	DL2025 BR2032 CR2032
Cat. No. 1063 (1 or 2 cells); Cat. No. 1064 (3 cells)						



Material: Contacts: .015 Steel, Tin over Nickel Plate; Base: Nylon, Stanyl-46

**KEYSTONE** 31-07 20th Road, Astoria, New York 11105-2017 • (718) 956-8900 • FAX: (718) 956-9040