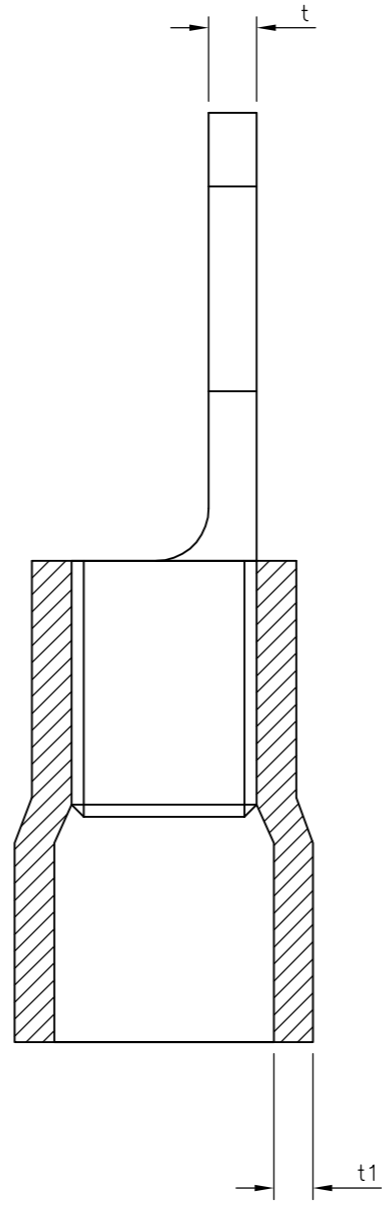
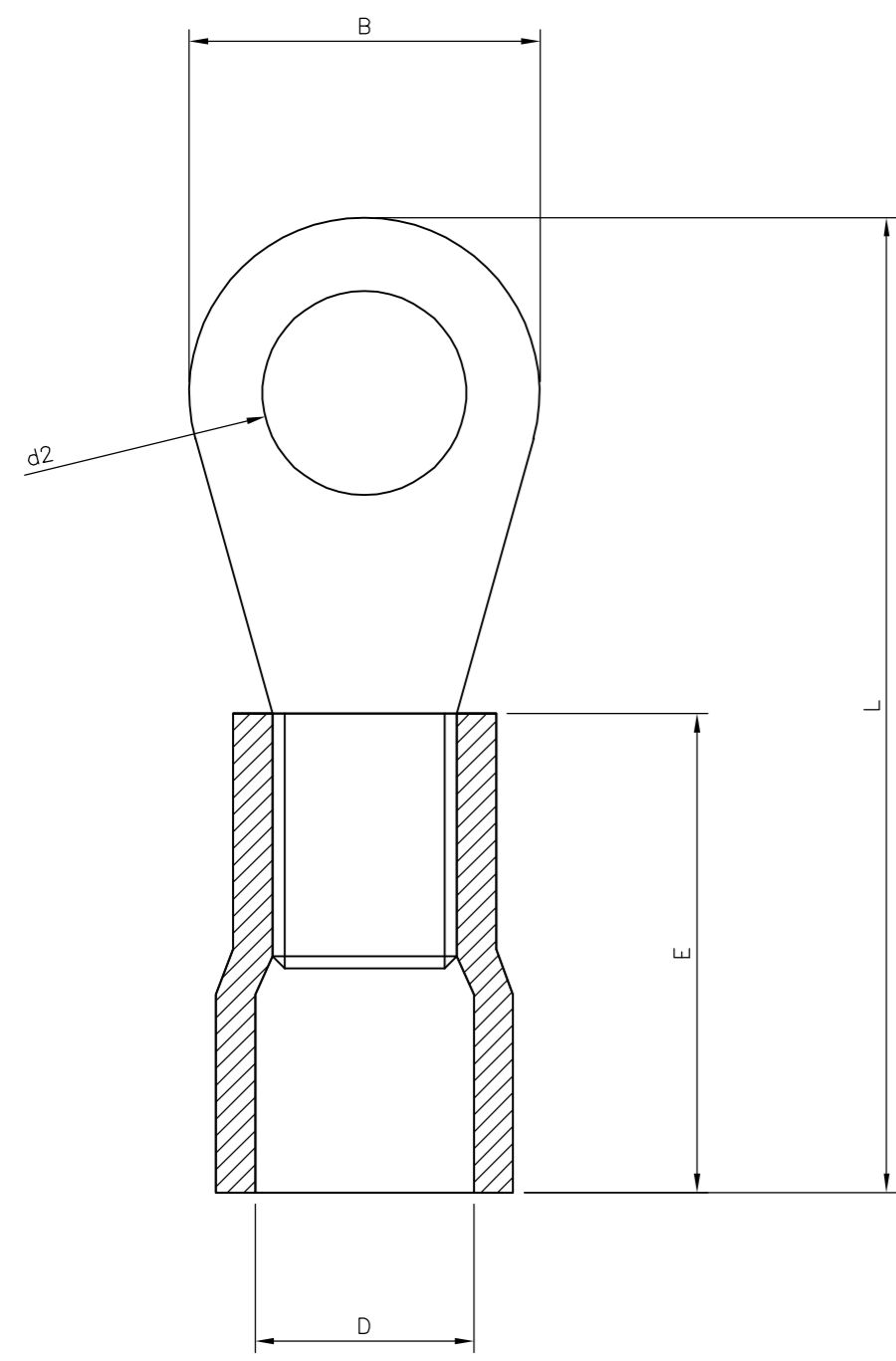


THIS DRAWING IS UNPUBLISHED. RELEASED FOR PUBLICATION 19JUL ,2005.
 © COPYRIGHT 2005 BY TYCO ELECTRONICS CORPORATION. ALL RIGHTS RESERVED.

Loc		DIST		REVISIONS			
P	LTR	DESCRIPTION		DATE	DWN	APVD	
	A	FIRST ISSUE		19JUL05	KR	FWK	



- NOTES:
- FOR TECHNICAL DATA REFER TO YOUR LOCAL TYCO ELECTRONICS SALES OFFICE.
 - ALL DIMENSIONS ARE NOMINAL FOR REFERENCE ONLY UNLESS OTHERWISE STATED.
 - FOR PACKAGING DETAILS SEE SHEET 2.
 - UL NUMBER E13288
 - MATERIAL: BODY - COPPER
SLEEVE - PVC (K65), 94V-0
 - APPLICATION SPEC 114-13196

STOCK NUMBER	PACKING LABEL DESCRIPTION LINE 3	PACKING LABEL DESCRIPTION LINE 2	PACKING LABEL DESCRIPTION LINE 1	INNER CARTON QTY	QTY	d2 (±0.20)	B (±0.30)	L (±1.50)	D (±0.50)	E (±1.50)	t (±0.10)	t1 (±0.20)	WIRE SIZE (mmsq) & (AWG)	STUD SIZE (mm)	DESCRIPTION	PART No
2-1838162-0 1-1838162-0	2.5mmsq-6.0mmsq 12-10 (AWG)	6mm STUD SIZE STANDARD ENTRY	YELLOW RING TERMINAL (INSULATED)	1000 1750	500 50	6.40	12.00	32.70	6.70	14.00	1.00	0.80	2.5mmsq-6.0mmsq 12-10(AWG)	6.0	YELLOW RING TERMINAL (INSULATED)	2-1838162-0 1-1838162-0

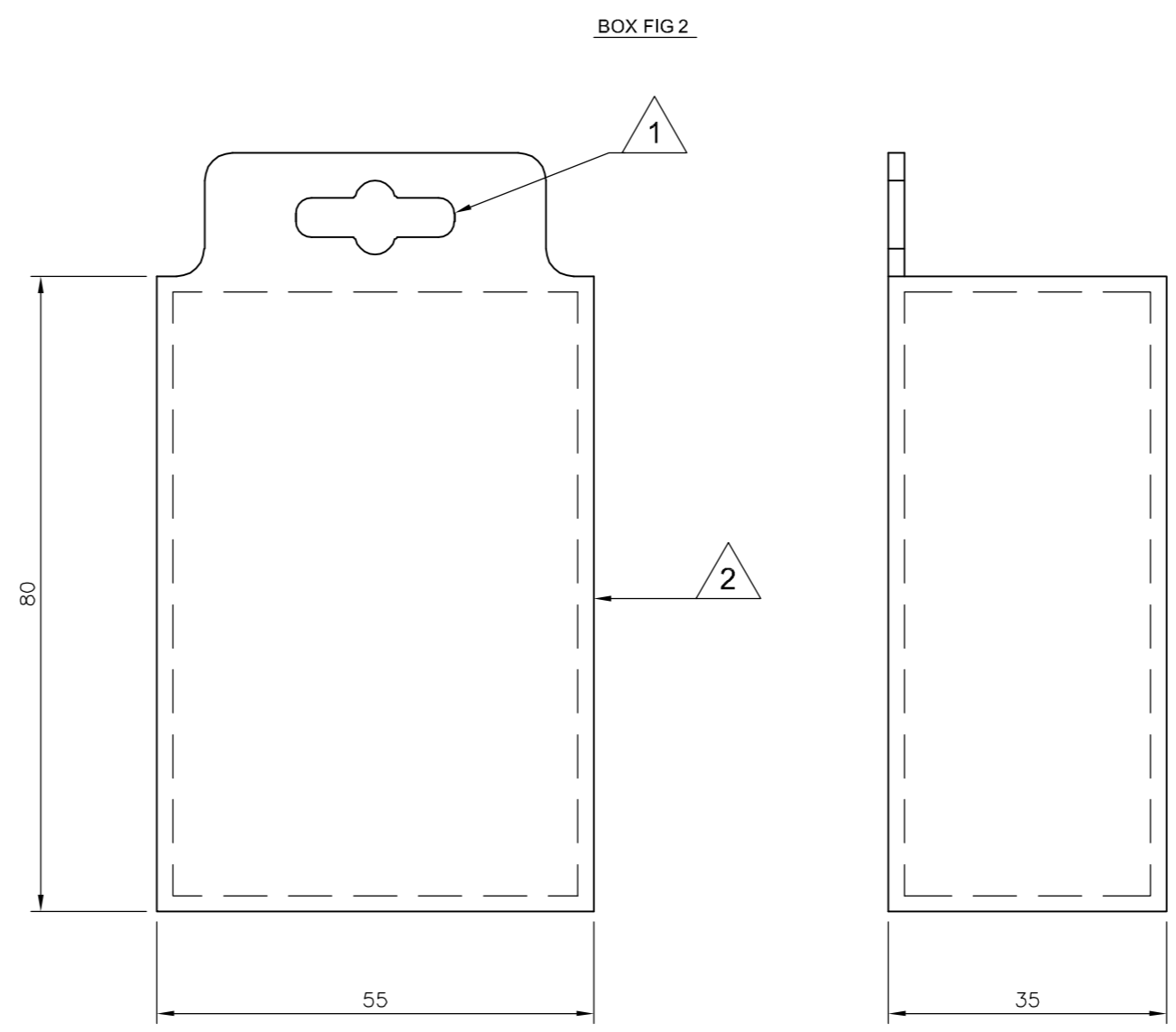
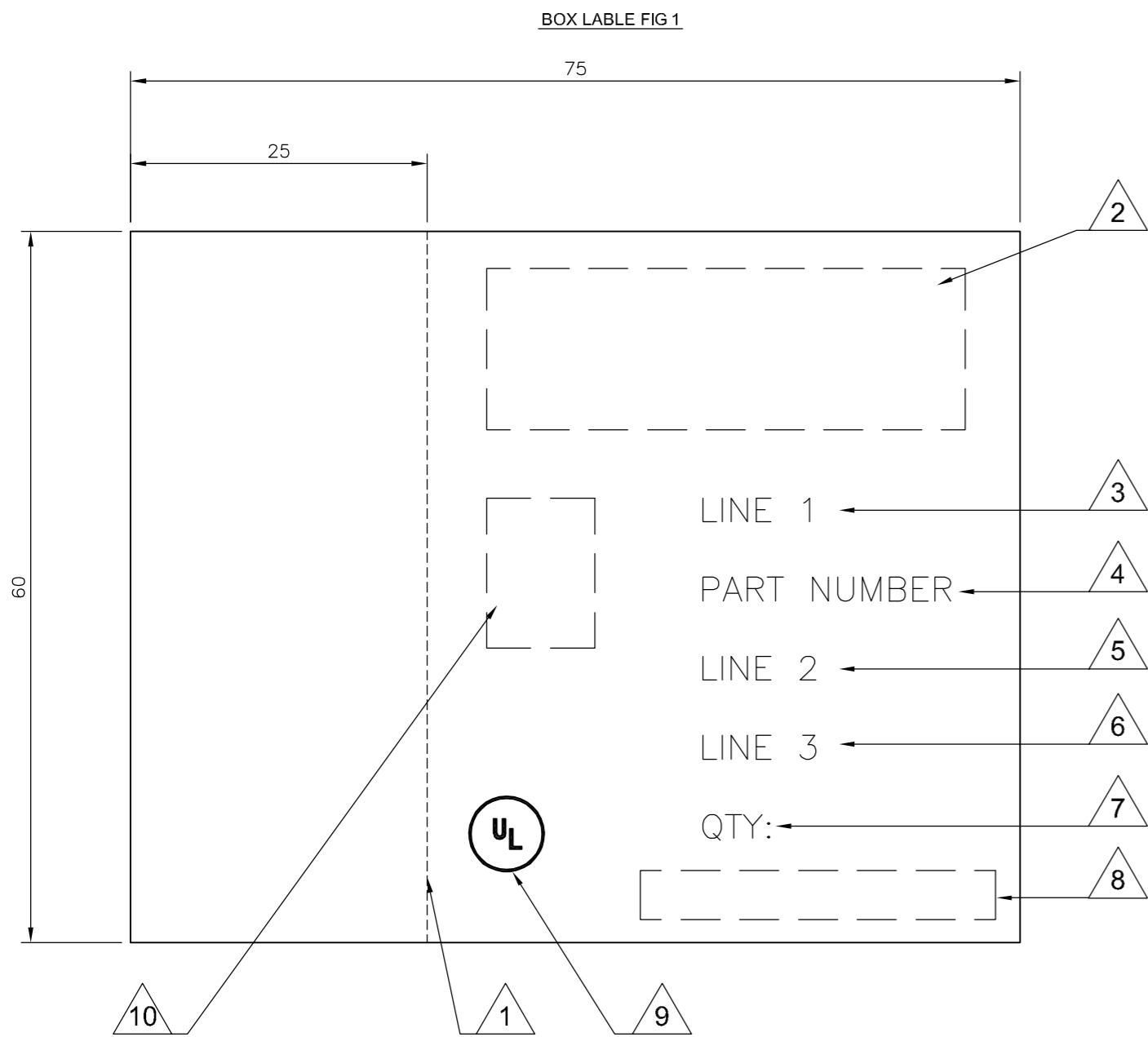
THIS DRAWING IS A CONTROLLED DOCUMENT.

DIMENSIONS: mm	TOLERANCES UNLESS OTHERWISE SPECIFIED:	DWN 19JUL05 K.Raghunandan	Tyco Electronics Corporation Bideford, UK, EX39 4HE
	0 PLC ± 0.5	CHK 04/05/07 S. Parlow	
	1 PLC ± 0.2	APVD 04/05/07 F. Wheeler-King	
	2 PLC ± 0.1	PRODUCT SPEC	
	3 PLC ± 0.015	APPLICATION SPEC	NAME
	4 PLC ± -		EURO-CRIMP INSULATED YELLOW RING TERMINAL 2.5mmsq-6.0mmsq / 12-10 AWG RANGE
	ANGLES ± -		SIZE CAGE CODE DRAWING NO RESTRICTED TO
MATERIAL -	FINISH -	WEIGHT -	A2 00779 C=1838162 -
CUSTOMER DRAWING			SCALE NTS SHEET 1 OF 2 REV A

1838162

THIS DRAWING IS UNPUBLISHED. RELEASED FOR PUBLICATION 19JUL ,2005.
 © COPYRIGHT 2005 BY TYCO ELECTRONICS CORPORATION. ALL RIGHTS RESERVED.

LOC		DIST		REVISIONS			
P	LTR	DESCRIPTION	DATE	DWN	APVD		
-	-	SEE SHEET 1	-	-	-		



LABEL NOTES:

- 1. PERFORATED LINE: DOTTED LINE TO BE ALIGNED WITH OPENING EDGE & FOLDED TO LEFT SIDE OF BOX.
- 2. LOGO: USE LATEST REVISION OF TYCO COMPANY LOGO.
- 3. LINE 1: SEE SHEET 1, USE TEXT FROM COLUMN PACKAGING LABEL DESCRIPTION LINE 1.
- 4. PART NUMBER: FOR 1--0 & 2--0 USE TYCO PART NUMBER.
1--0 = 1-1838162-0
2--0 = 2-1838162-0
- 5. LINE 2: SEE SHEET 1, USE TEXT FROM COLUMN PACKAGING LABEL DESCRIPTION LINE 2.
- 6. LINE 3: SEE SHEET 1, USE TEXT FROM COLUMN PACKAGING LABEL DESCRIPTION LINE 3.
- 7. QTY: SEE SHEET 1, USE NUMBER FROM THE COLUMN QTY.
- 8. EAN BARCODE. USE LATEST TYCO BARCODE SUPPLIED.
1--0 = TYCO BARCODE
2--0 = TYCO BARCODE
- 9. UL: WHERE APPLICABLE USE UL LOGO, SEE SHEET 1.
- 10. PRODUCT PICTURE: A PRODUCT PICTURE IS REQUIRED.

BOX NOTES:

- 1. EURO SLOT: TO BE POSITIONED TO CENTRE ON FRONT COVER.
- 2. BOX HINGE: FRONT COVER TO BE HINGED ON RIGHT SIDE.
- 3. SPECIFICATION: COVER TO BE FREE FROM POSSIBLE WARPING & CAPABLE OF BEING RE-SEALED MIN 100 TIMES.
- 4. LABEL: CORRECT CUSTOMER BOX LABEL TO BE POSITIONED ON THE FRONT COVER WITH THE PERFORATED EDGE ON THE LEFT HAND SIDE.

PACK SPECIFICATION:

- 1. CLEAR PLASTIC BOX: PART NUMBER 1--0 TO BE PACKED 50 PARTS PER CLEAR PLASTIC BOX (FIG2) WITH THE CORRECT CUSTOMER LABEL (FIG1), 35 CLEAR PLASTIC BOXES OF THE SAME PART NUMBER ARE TO BE PACKED INTO A SUITABLE INNER CARTON BOX.
- 2. CLEAR PLASTIC BAG: PART NUMBER 2--0, USE A SUITABLE CLEAR PLASTIC BAG FOR 500 PARTS, POSITION AN APPROPRIATE LABEL AS IN FIG1 BUT WITHOUT THE PERFORATED SIDE, CENTRE OF BAG. 2 BAGS ARE THEN TO BE PACKED INTO A SUITABLE INNER CARTON BOX.
- 3. INNER CARTON LABEL: LABEL AS PER CLEAR PLASTIC BAG NOTE 2 BUT WITH INNER CARTON QTY 1000 TO BE POSITIONED ON THE SIDE OF THE BOX FOR VIEWING WHEN STORED.

THIS DRAWING IS A CONTROLLED DOCUMENT.		DWN K.Raghuandan 19JUL05	tyco Electronics	Tyco Electronics Corporation Bideford, UK, EX39 4HE	
DIMENSIONS: mm		CHK S. Parlow 04/05/07		NAME F. Wheeler-King	EURO-CRIMP INSULATED YELLOW RING TERMINAL 2.5mmsq-6.0mmsq / 12-10 AWG RANGE
TOLERANCES UNLESS OTHERWISE SPECIFIED:		APVD F. Wheeler-King 04/05/07	PRODUCT SPEC	SIZE A2	CAGE CODE 00779
0 PLC ± 0.5 1 PLC ± 0.2 2 PLC ± 0.1 3 PLC ± 0.015 4 PLC ± - ANGLES ± -		APPLICATION SPEC	FINISH	DRAWING NO C=1838162	RESTRICTED TO
MATERIAL		WEIGHT	SCALE NTS	SHEET 2 OF 2	REV A
CUSTOMER DRAWING					

1838162