



230 LED-Permanent beacon M20x1.5

WERMA

(provisional technical data sheet)

WERMA Signaltechnik
GmbH + Co. KG
Dürbheimer Straße 15
78604 Rietheim-Weilheim
Phone 07424 / 9557-0
Fax 07424 / 9557-44
info@werma.de

Electrical specifications:

Operating voltage: U_{nenn} = see order data

Current at make: $< 0,5A$ at 24V

Current consumption:

230 #00 55 LED-permanent beacon ($<45mA$ DC)

230 #00 67 LED-permanent beacon ($<15mA$ AC)

230 #00 68 LED-permanent beacon ($<20mA$ AC)

Order No.:

230 #00 55 LED-permanent beacon 24V AC/DC

230 #00 67 LED-permanent beacon 115V AC

230 #00 68 LED-permanent beacon 230V AC

1 = red 2 = green 3 = yellow 4 = clear 5 = blue

Mechanical specifications:

Material:

- Cap: PC
- Base: ABS/PC-blend, black

Further specifications:

Weight: approx 12g

Working

temperature: t_a -20°C up to +50°C

Protection degree: IP65 when mounted

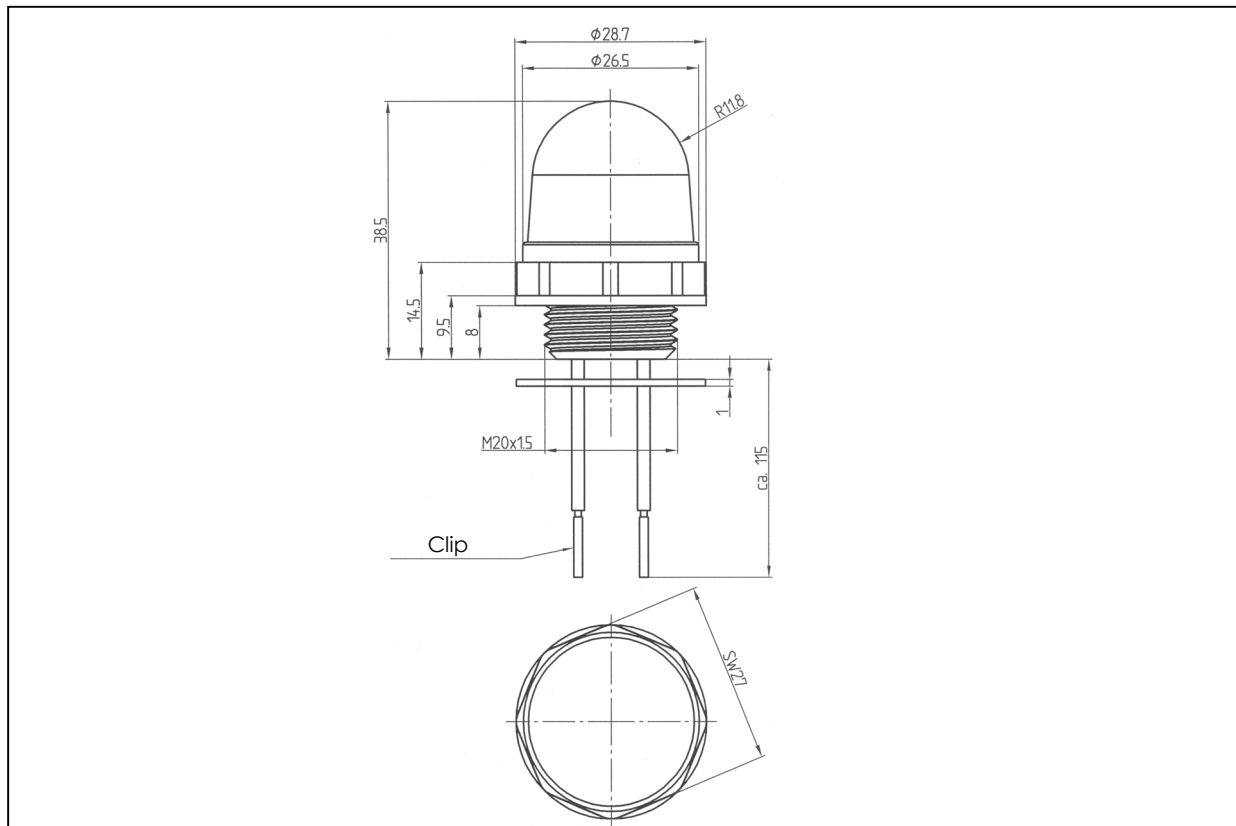
Fixing: M20x1.5mm

Seal: included

Connection wires attached

Regulations: Conform to current
EC-regulations.
UL listed

Note: All electrical and working life specifications refer to U_{nenn} !



	Drawn up	proved	released	Data-sheet-No.
Name	E. Degen	S. Rudischhauser	H. Elsäßer	000 230 503
Date	2002-04-11	11.04.2002	11.04.2002	Page 1 of 1