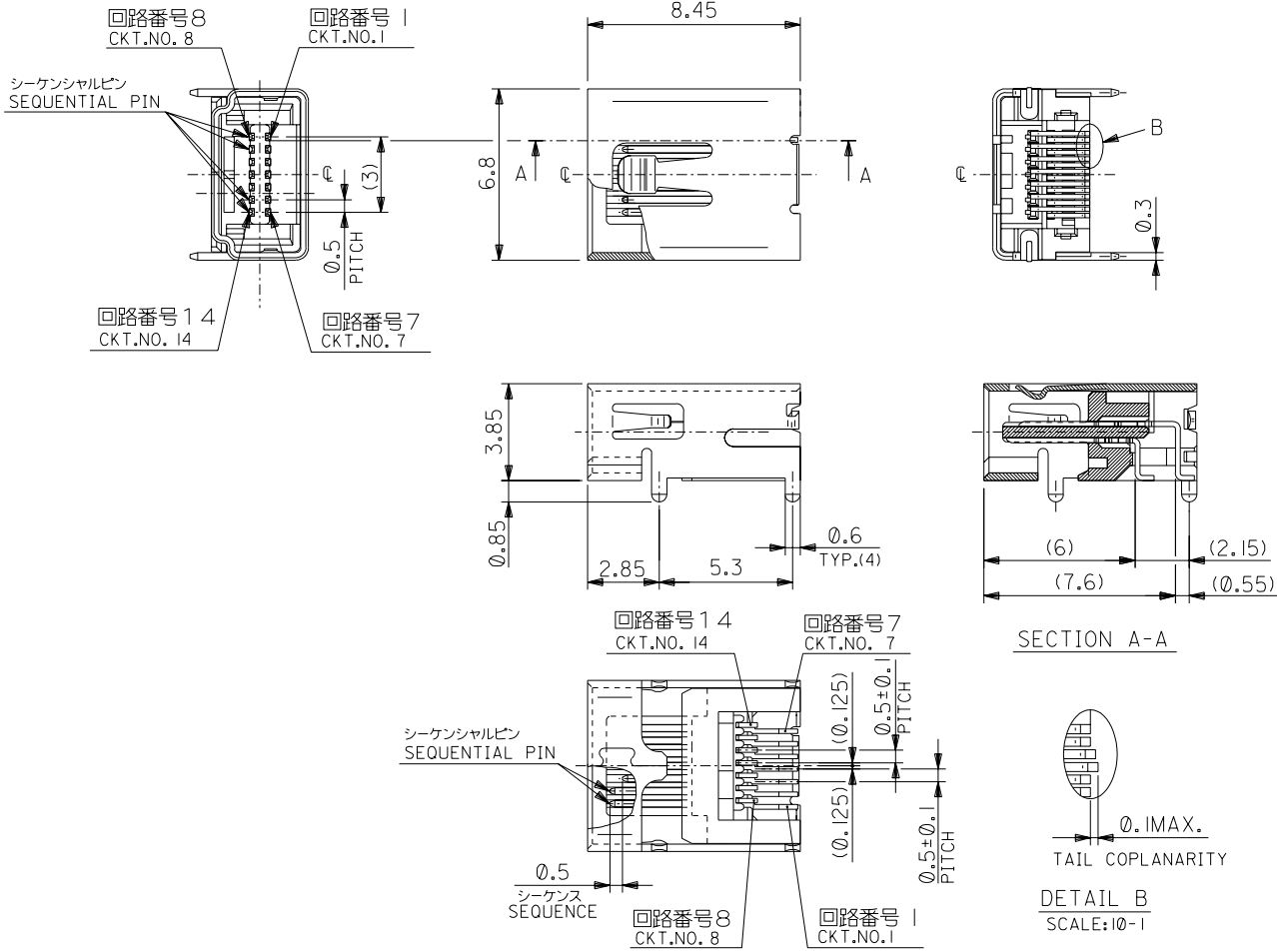


DWG. NO. SD-501091-001

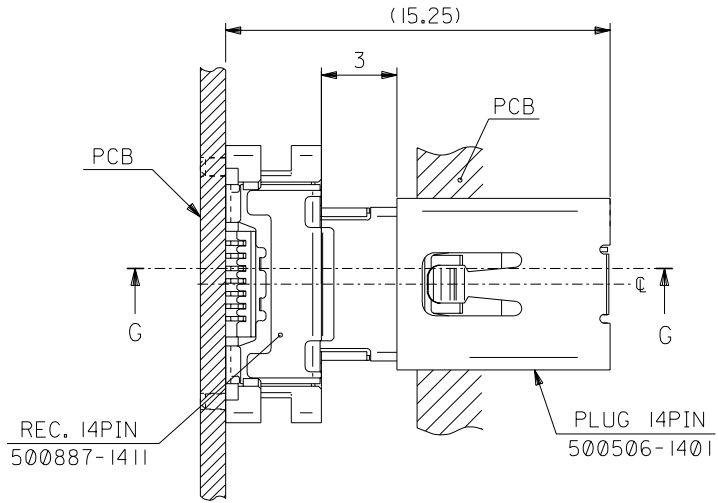
NOTE:

1. 適合リセ番号: 51283-1411 (STRAIGHT TYPE)
 APPLICABLE REC. NO.: 51283-1411 (STRAIGHT TYPE)
2. 材質 MATERIAL
 - 2-1. ハウジング: ガラス入り耐熱樹脂 94V-0, 黒色
 HOUSING: G.F. HEAT RESISTANT PLASTIC 94V-0, BLACK COLOR
 - 2-2. ターミナル: 銅合金
 TERMINAL: COPPER ALLOY
 - 2-3. プラグ シールド: ステンレス鋼
 PLUG SHIELD: STAINLESS STEEL
3. メッキ仕様 PLATING
 - 3-1. ターミナル TERMINAL
 - 3-1-1. 接点部: 金メッキ 0.1umMIN.
 CONTACT AREA: GOLD
 : パラジウムニッケルメッキ 0.2umMIN.
 PALLADIUM-NICKEL
 - 3-1-2. 半田付け部: 錫メッキ 1~3um
 SOLDER TAIL AREA: Sn
 - 3-1-3. 下地メッキ: ニッケルメッキ 1.5~3um
 UNDER-PLATING: NICKEL
 - 3-2. プラグ シールド PLUG SHIELD
 - 3-2-1. 表面処理: 金コーティング
 SURFACE TREATMENT: GOLD COATING
 - 3-2-2. 下地メッキ: ニッケルメッキ 1.0~2um
 UNDER-PLATING: NICKEL

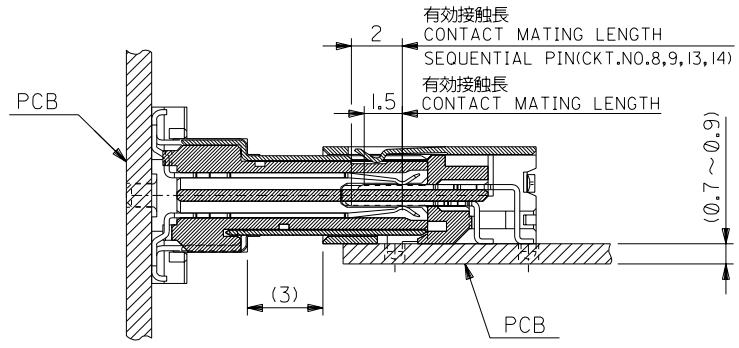


DO NOT SCALE DRAWING

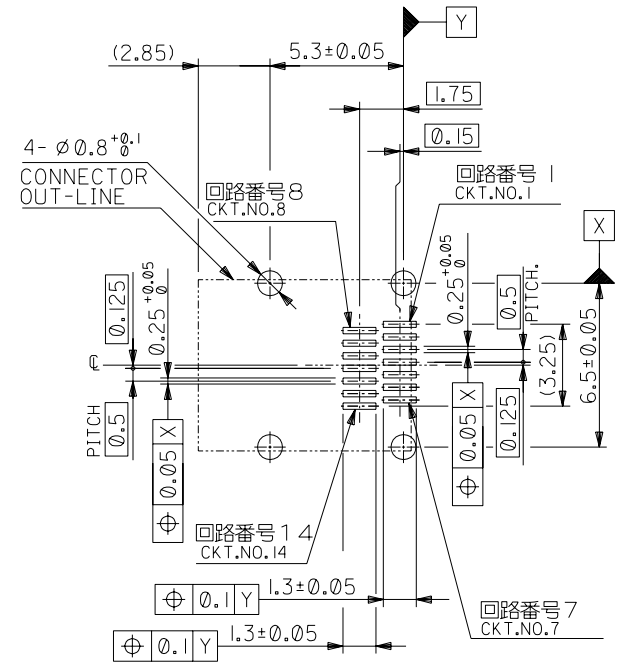
| | | | | | | | | | | | | | | | | | | | | | |
|-----------------------------|--|-----------------------------|--|-----------------------------|--|-----------------------------|--|---|--|--|--|--|--|--|--|--|--|---|--|---------------------------------|--|
| EC NO. DRWN: CH'K: APPR: | | EC NO. DRWN: CH'K: APPR: | | EC NO. DRWN: CH'K: APPR: | | EC NO. DRWN: CH'K: APPR: | | RELEASED EC NO. J2004-3900 DRWN: T.ODA 04/04/20 CH'K: S.ICHIKAWA APPR: Y.OITO | | MATERIAL 材料 # | | GENERAL TOLERANCES: (UNLESS SPECIFIED) 一般公差 | | SCALE 5-1 DESIGN UNITS <input checked="" type="checkbox"/> mm <input type="checkbox"/> INCH | | <input checked="" type="checkbox"/> THIRD ANGLE PROJECTION | | DIMENSIONS: <input type="checkbox"/> mm <input type="checkbox"/> INCH <input checked="" type="checkbox"/> mm ONLY | | SHT REV REVISION ON CAD ONLY | |
| | | | | | | | | WIRE RANGE 適用電線範囲 # | | FINISH 仕上げ # | | 10 UNDER 未満 ±0.2 10 OVER 30 UNDER 未満 ±0.25 30 OVER 以上 ±0.3 | | DRAWN BY & DATE Y.Oito 04/02/23 | | TITLE: 0.5 I/O CONN. PLUG HS'G ASS'Y 14CKT | | MOLEX MOLEX INCORPORATED | | | |
| | | | | REV 0 | | INS. RANGE 被覆外径 # | | ANGLE 角度 # | | CAD FILENAME SD-501091-001.S01 | | MATERIAL NO. SEE CHART | | DRAWING NO. SD-501091-001 | | SHEET NO. 1 OF 2 | | | | | |
| | | | | | | | | | | THIS DRAWING CONTAINS INFORMATION THAT IS PROPRIETARY TO MOLEX INCORPORATED AND SHOULD NOT BE USED WITHOUT WRITTEN PERMISSION. | | | | | | | | | | | |
| | | | | | | | | | | EN-02J(097) MXJ-54 | | | | | | | | | | | |



嵌合図
MATED CONNECTORS



SECTION G-G

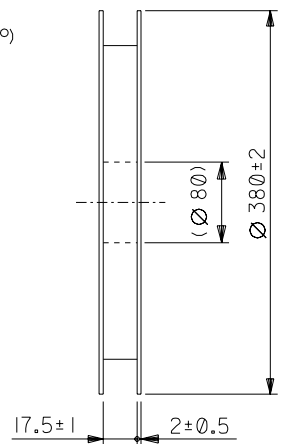
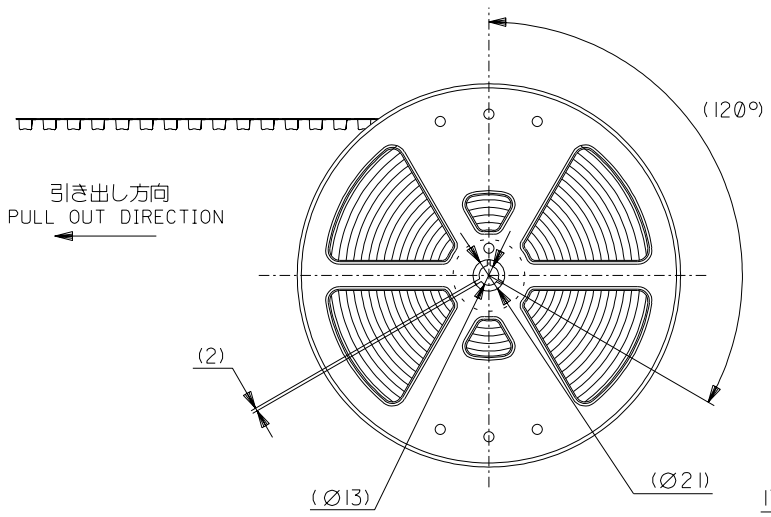


基板穴推挿寸法 (部品実装側)
RECOMMENDED P.C.B LAYOUT (MOUNTING SIDE)

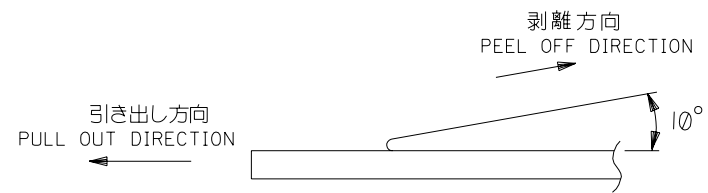
DO NOT SCALE DRAWING

| | | | | | | | | | | | | | | | | |
|----------------------------------|----------------------------------|----------------------------------|----------------------------------|----------------------------------|----------------------------------|-------------|----------------|---|---|--|---|--|--|---|---|-----|
| EC NO. DRWN: CHK: APPR: | EC NO. DRWN: CHK: APPR: | EC NO. DRWN: CHK: APPR: | EC NO. DRWN: CHK: APPR: | EC NO. DRWN: CHK: APPR: | EC NO. DRWN: CHK: APPR: | DESCRIPTION | MATERIAL 材料 | # | GENERAL TOLERANCES: (UNLESS SPECIFIED) 一般公差 | SCALE | DESIGN UNITS | THIRD ANGLE PROJECTION | DIMENSIONS: | | SHT | REV |
| | | | | | | | 10 UNDER 未満 | | | ±0.2 | 5-1 | | <input checked="" type="checkbox"/> mm <input type="checkbox"/> INCH | <input type="checkbox"/> mm <input type="checkbox"/> INCH | <input checked="" type="checkbox"/> mm ONLY | |
| FINISH 仕上り | WIRE RANGE 適用線径範囲 | ANGLE 角度 | INS. RANGE 被覆外径 | # | # | REV | # | # | 10 OVER 30 UNDER 以上 未満 | ±0.25 | DRAWN BY & DATE <i>Y.Ota</i> '04/02/23 | TITLE: 0.5 I/O CONN. PLUG HS'G ASS'Y . 14CKT | | | | |
| | | | | | | | | | 30 OVER 以上 | ±0.3 | CHECKED BY & DATE <i>S. Johkawa.</i> | | | | | |
| | | | | | | | | | | APPROVED BY & DATE <i>Y.Ota</i> | MOLEX INCORPORATED | | | | | |
| | | | | | | | | | | CAD FILENAME SD-501091-001.S02 | MATERIAL NO. SEE CHART | DRAWING NO. SD-501091-001 | SHEET NO. 2 | | | |
| | | | | | | | | | | THIS DRAWING CONTAINS INFORMATION THAT IS PROPRIETARY TO MOLEX INCORPORATED AND SHOULD NOT BE USED WITHOUT WRITTEN PERMISSION. | | | | | SIZE B | |

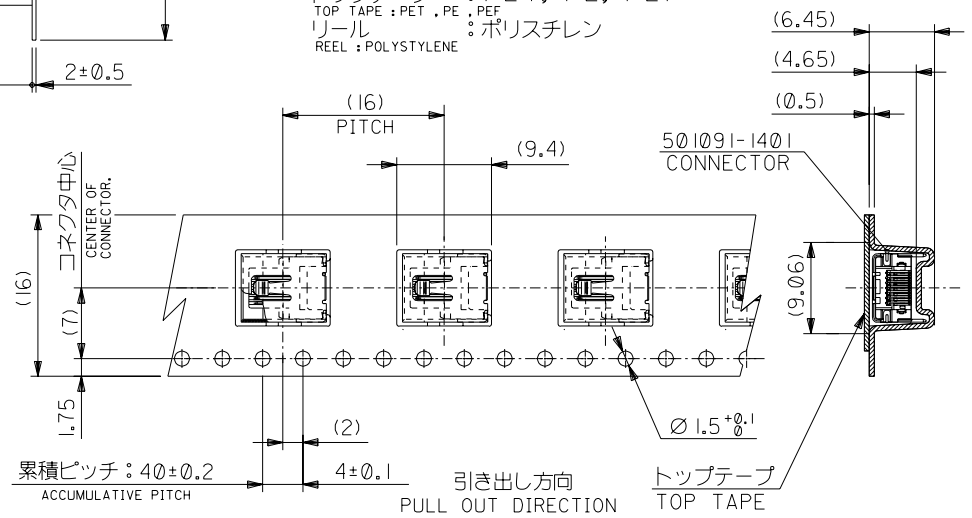
DWG. NO. SD-501091-002



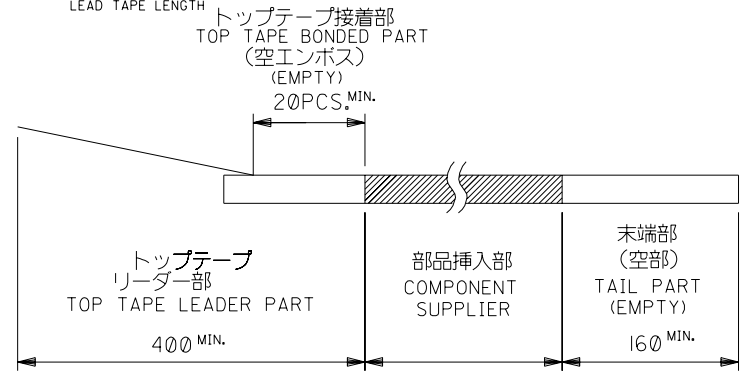
4. トップテープの剥離強度：（剥離方向は下図参照）
 PEELING OFF FORCE OF TOP TAPE (PEELING DIRECTION AS SHOWN IN FOLLOWING FIG.)
 0.1~0.7N (10.2~71.4gf)
 尚、本規格値は、出荷時に適用。
 （但し、輸送時に剥離が発生しない事。）
 THIS REQUIREMENT SHOULD BE APPLIED AT SHIPMENT
 (PEEL OFF SHOULD NOT BE ALLOWED, DURING TRANSPORTATION)



5. 材料
 MATERIAL
 キャリアテープ：ポリプロピレン (PP)
 CARRIER TAPE: POLYPROPYLENE (PP)
 トップテープ：PET, PE, PEF
 TOP TAPE: PET, PE, PEF
 リール：ポリスチレン
 REEL: POLYSTYLENE



注記
 NOTES
 1. 製品番号500506-1411の詳細寸法については、SD-501091-001を参照下さい。
 IN THE PACKAGE, PART NO. 500506-1411 RE DETAILED DIMENSIONS, SEE SD-501091-001
 2. 梱包数量：900個/リール
 NUMBER OF CONNECTORS: 900 PCS/REEL
 3. リードテープ長さ
 LEAD TAPE LENGTH



| | | | |
|------|-------------|--------------|-------------|
| 14 | 501091-1401 | 501091-1470 | 501091-***7 |
| CKT. | CONNECTOR | MATERIAL NO. | MODEL NO. |

DO NOT SCALE DRAWING

| | | | | | | | | | | | | | | |
|-----------------------------------|-----------------------------------|-----------------------------------|-----------------------------------|-----------------------------------|---|-----------------------------|---|--------------|--|---------------------------|-----------------------------------|---|------------------------------|---------------------|
| EC NO. DRAWN: CHK: APPR: | EC NO. DRAWN: CHK: APPR: | EC NO. DRAWN: CHK: APPR: | EC NO. DRAWN: CHK: APPR: | EC NO. DRAWN: CHK: APPR: | RELEASED EC NO. J2004-39000 DRAWN: T.ODA 04/04/20 CHK: S.ICHIKAWA APPR: YO.IITO | MATERIAL 材料 SEE NOTES | GENERAL TOLERANCES: (UNLESS SPECIFIED) 一般公差 | SCALE —# | DESIGN UNITS <input checked="" type="checkbox"/> mm <input type="checkbox"/> INCH | THIRD ANGLE PROJECTION | DRAWN BY & DATE Y.Oto 04/04/20 | TITLE: EMBOSSD TAPE PACKAGE FOR 501091 | SHT REV | |
| | | | | | | FINISH 仕上げ —# | 10 UNDER 未満 ±0.2 | | | | CHECKED BY & DATE S. Ichikawa. | MOLEX MOLEX INCORPORATED | | |
| | | | | | | WIRE RANGE 適用電線範囲 —# | 10 OVER 30 UNDER 以上 未満 ±0.25 | | | | APPROVED BY & DATE Y.Oto | | | |
| | | | | | | INS. RANGE 被覆外径 —# | 30 OVER 以上 ±0.3 | ANGLE 角度 ±3° | | | CAD FILENAME SD-501091-002.S01 | MATERIAL NO. SEE CHART | DRAWING NO. SD-501091-002 | SHEET NO. 1 OF 1 |

THIS DRAWING CONTAINS INFORMATION THAT IS PROPRIETARY TO MOLEX INCORPORATED AND SHOULD NOT BE USED WITHOUT WRITTEN PERMISSION. SIZE B