

RoHS Compliant

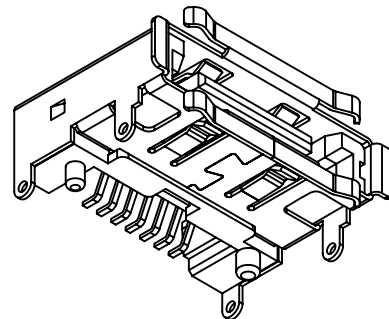
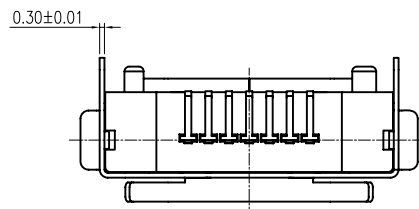
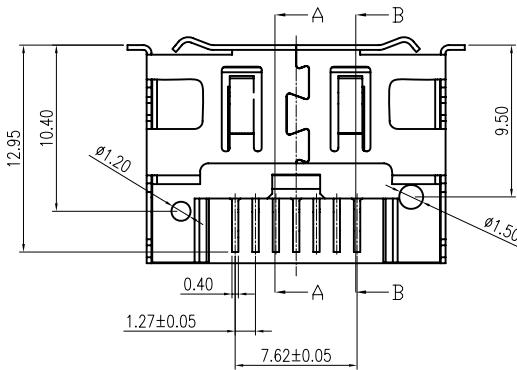
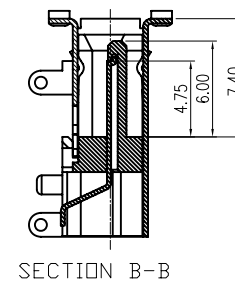
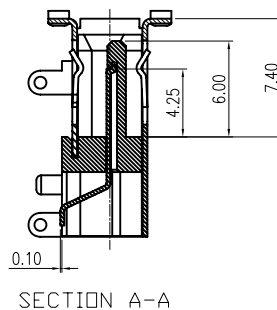
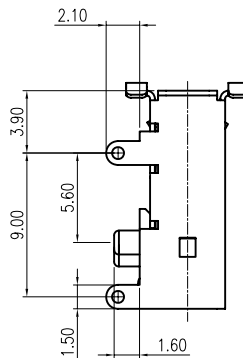
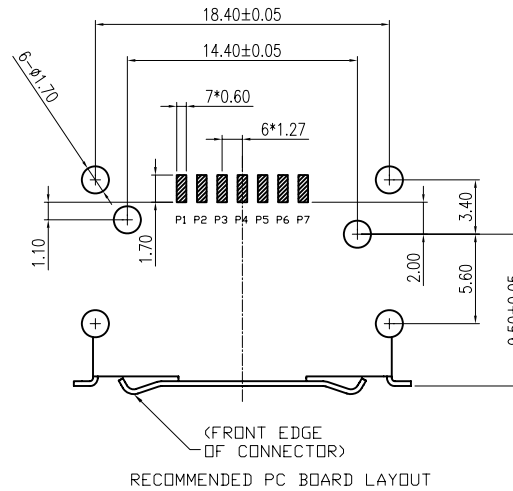
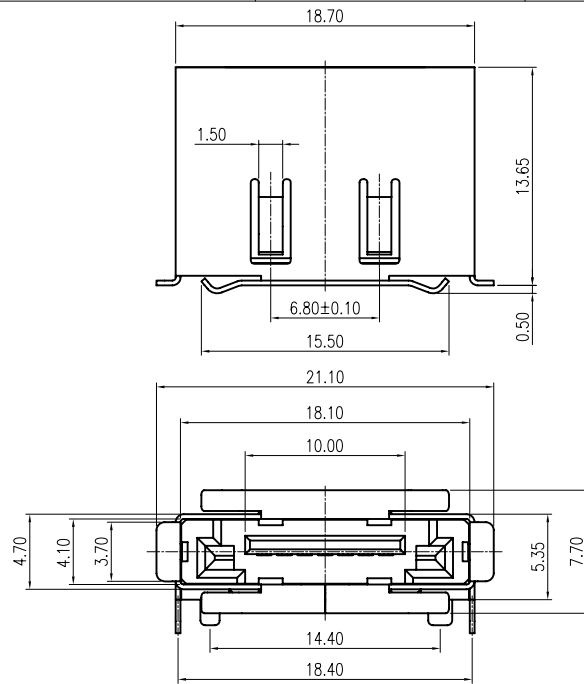
ORDERING INFORMATION:

6SA U 07 MP - 3 * 0 R
 (1) (2) (3) (4) (5) (6) (7) (8)

- (1) SERIES NUMBER:
6SA :SERIAL ATA CONNECTOR
- (2) TAIL CONSTRUCTION TYPE
U : R/A SMT TYPE
- (3) NO. OF POSITION:
07 :7POSITIONS
- (4) CONTACT &CONNECTING TYPES:
MP : PLUG ,METAL SHELL TYPE
- (5) COLOR CODES:
3 :BLACK
N :DARK RED
- (6) PLATING OF CONTACT :
0 : GOLD FLASH OVER NICKEL
2 : 15u"GOLD OVER NICKEL
3 : 30u"GOLD OVER NICKEL
- (7) TAIL LENGTH :
0 : SMT TYPE
- (8) SUFFIX NO1 :
R : REVERSE SMT TYPE, WITHOUT LOGO

NOTE:

- 1.MATERIAL:
HOUSING:HIGH TEMPERATURE THERMOPLASTIC,UL94V-0
CONTACT:BRASS,GOLD PLATING OVER NICKEL ON CONTACT AREA,TIN PLATING ON SOLDER AREA
SHELL:BRASS,NICKEL PLATED
- 2.MECHANICAL:
INSERTION FORCE: 4.5Kgf Max.
WITHDRAWAL FORCE: 1Kgf Min.
DURABILITY: 2500 CYCLES
- 3.ELECTRICAL SPECIFICATION:
OPERATION VOLTAGE: 100V AC Max.
CURRENT RATING: 1.5A PER CONTACT
CONTACT RESISTANCE: 45m ohm Max.
INSULATION RESISTANCE: 1000M OHM Min.
DIELECTRIC WITHSTANDING VOLTAGE: 500V AC
- 4.ENVIRONMENTAL:
OPERATION TEMPERATURE: -25°C~+85°C



MATERIAL		TOLERANCE UNSPECIFIED		PART NO.	
		.000	±		
		.00	± 0.25		
		.0	± 0.38		
		±	±		
FINISH		ANGLE	± 2°	SCALE	UNIT
		Draw	Wujian 4/18 06'	1:1	MM
		Designer		NAME	SHEET
		Checked	Peterhu		
		Approved	John	REVERSE SMT TYPE CONNECTOR (METAL SHELL TYPE)	
Drawing No.				R-S16SA-37	REV. 1.0