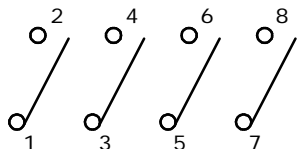


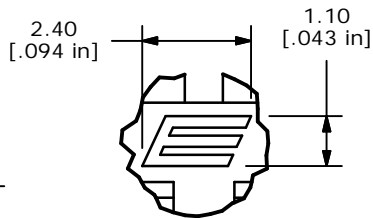
P.C. MOUNTING



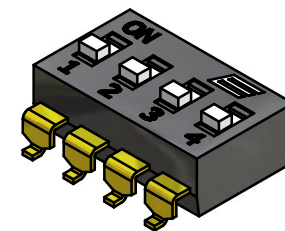
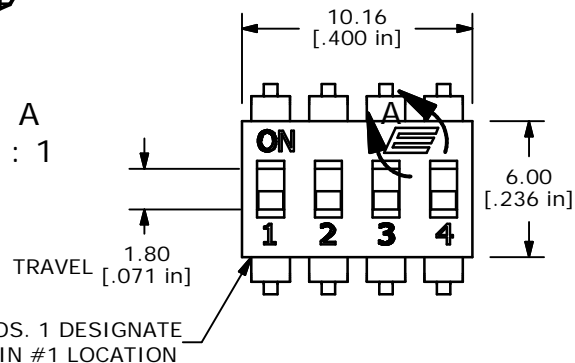
CIRCUIT - 4 POSITION

NOTES:

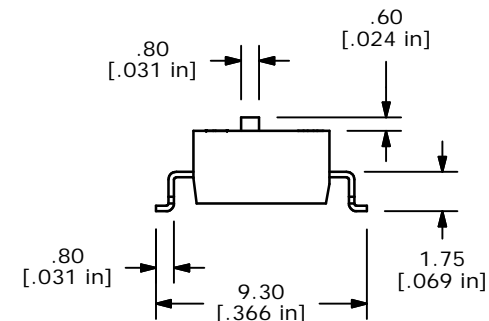
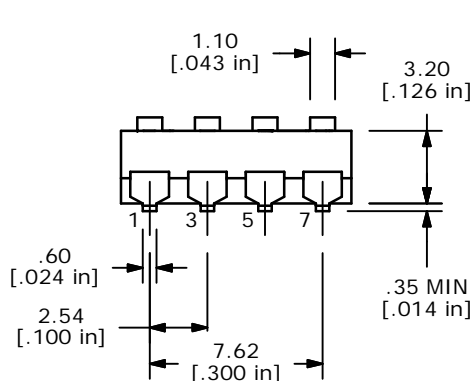
1. ALL DIMENSIONS IN MM [INCH]
2. GENERAL TOLERANCE: X.X=±0.4
X.XX=±0.25
3. TERM. NOS. FOR REFERENCE ONLY.
4. CONTACT RATINGS: 25mA @24VDC. (Switch)
100mA @50VDC. (Carry)
- ▲5. CONTACT MATERIAL:
CONTACTS: (MOVABLE) COPPER W/GOLD PLATE
TERMINALS: BRASS W/GOLD PLATE
6. INSULATION RESISTANCE; 100 MEGA-OHMS MIN. @500VDC
7. CONTACT RESISTANCE; 50 MILLI-OHMS TYPICAL @2-4VDC @100mA INITIAL
8. OPERATING TEMP: -30°C TO +85°C
9. STORAGE TEMP: -40°C TO +85°C
10. MECHANICAL LIFE: 2000 CYCLES
- ▲11. PACKAGE: TAPE AND REEL
WITH ALL POLES IN THE "OFF" POSITION.
12. ▲DENOTES CRITICAL PARAMETER.



DETAIL A
SCALE 6 : 1



ISOMETRIC



E-SWITCH®

TITLE KAJ04LGGR

| | | | | |
|-----|--------|-------------------------|---------|----|
| A | 14722 | RELEASED FOR PRODUCTION | 2/24/05 | AR |
| REV | PCR NO | DESCRIPTION | DATE | BY |

THE INFORMATION CONTAINED IN THIS DOCUMENT IS PROPRIETARY TO E-SWITCH AND IS NOT TO BE COPIED OR TRANSFERRED

| | | | | |
|-------|---------|----|---------|-----|
| SCALE | DATE | DR | DWG | REV |
| 3:1 | 2/24/05 | AR | W825004 | A |