

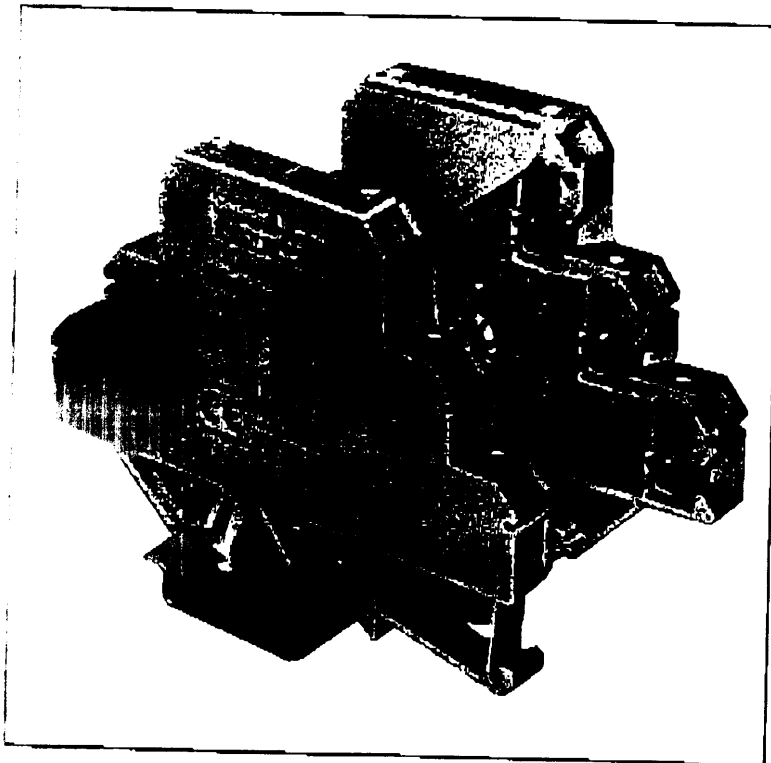



Data Sheet
Electronics

DK6/ISO
Analogue Isolators

767-270
767-281
767-293
767-300

These units provide 3-port electrical isolation for analogue process signals in a compact DIN rail mounted package.

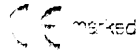


- Ultra compact design - only 10mm wide
- 3-port isolation to 1000V d.c.
- Low power dissipation - 500mW typ.
- Fast response time - 1ms typ.
- Range caters for all industrial standard analogue signal interfaces
- Suitable for TS32 and TS35 DIN mounting rails
-  marked

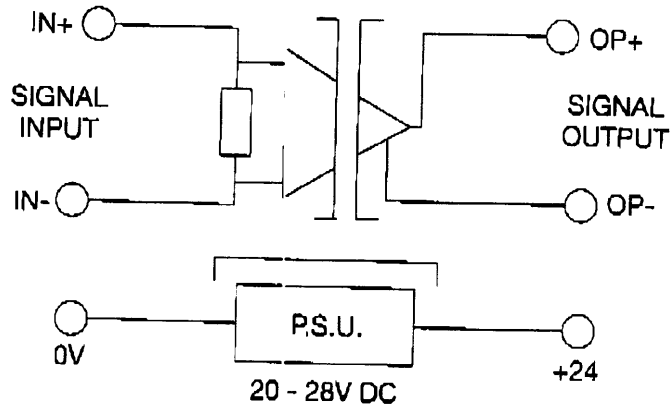
Weidmüller
Intrinsic Safety &
Electronics Division

DK6/ISO

- ultra compact design - only 10mm wide
- 3-port isolation to 1000V d.c.
- Low power dissipation - 500mW typ.
- Fast response time - 1ms typ.
- Range caters for all Industrial standard analogue signal interfaces
- Suitable for TS32 and TS35 DIN mounting rails



Analogue Isolators



Technical Data

Input
Input Resistance
Maximum Over-range
Output
Minimum Load Resistance
Minimum Load Resistance
Sampling Level (V _{supply} = 28V)
Accuracy (@ 25°C)
Linearity (@ 25°C)
Temperature Coefficient
* Short circuit protected

I-I	I-V	V-I	V-V	I-I	I-V
4 - 20mA	4 - 20mA	0 - 10V	0 - 10V	0 - 20mA	4 - 20mA
50Ω typ.	50Ω typ.	500kΩ typ.	500kΩ typ.	50Ω	50Ω
50mA	30mA	15V	15V	50mA	50mA
4 - 20mA	0 - 10V	4 - 20mA	0 - 10V	0 - 20mA	0 - 5V
500Ω	∞	500Ω	∞	500Ω	∞
0Ω	1kΩ *	0Ω	1kΩ *	0Ω	1kΩ *
36mA typ.	14V typ.	30mA typ.	14V typ.	36mA	14V typ.

±0.1% of full scale
±0.05% of full scale
±0.01% /°C

General

Supply Voltage Range
Power Consumption (V _{supply} = 28V) max.
Isolation
Response Time (10 to 90% F.S.)
Operating Temperature
Conductor Size - stranded
- solid
Rail Length
Rail Width
Height

20 - 28V d.c.					
850mW	650mW	900mW	650mW	850mW	650mW
1kV d.c. (input to output / supply to input / supply to output)					
1ms typ.					
0 to +55°C					
0.5...2.5mm ²					
0.5...4.0mm ²					
10mm					
89mm					
77mm					

EMC Compliance - Industrial Environment

Emission
Immunity
ESD

BS EN 50 081-2
BS EN 50 082-2
These units are intended for use in an enclosure.

Ordering Data

TS32/TS35 Mounting

DK6/ISO/I-I	DK6/ISO/I-V	DK6/ISO/V-I	DK6/ISO/V-V	DK6/ISO/I-I	DK6/ISO/I-V
980680	980681	980682	980683	980684	980685

Accessories

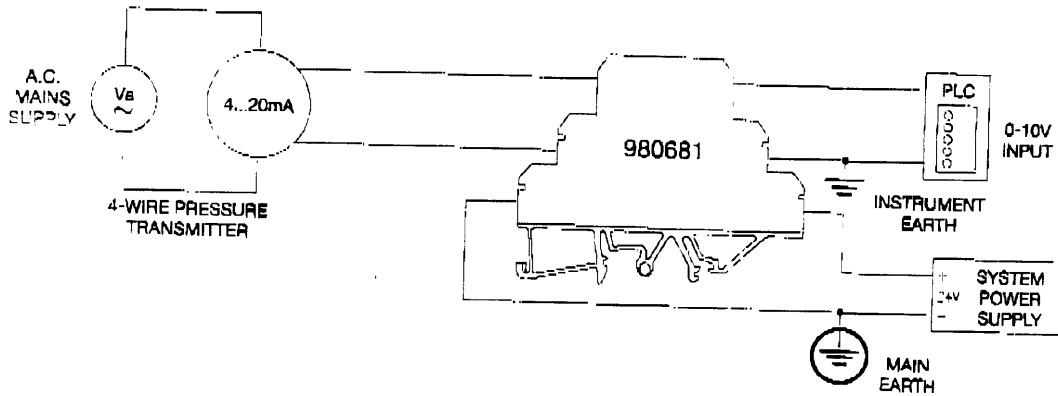
Mounting rail: TS32 (M6 slotted)
TS35 (M6 slotted)

067610
067620

Application 1] Signal conversion and isolation of 4...20mA field signal

FIELD

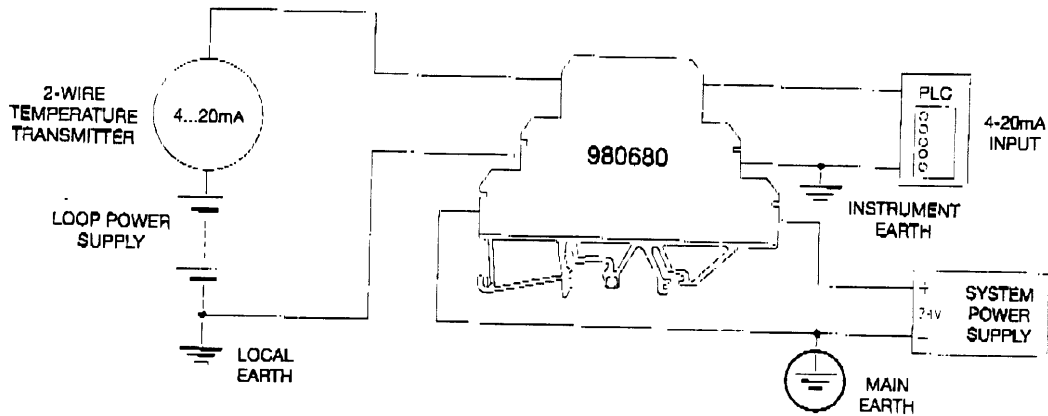
SYSTEM



Application 2] Preventing earth loops within a multiple earth installation

FIELD

SYSTEM



Application 3] Increasing drive capability of field transmitter to re-transmit process variable

FIELD (existing installation)

SYSTEM (added at a later date with no effect on existing installation)

